

VERMEIREN

D100

INSTRUCTION MANUAL
MODE D'EMPLOI
GEBRUIKSAANWIJZING
GEBRAUCHSANWEISUNG
ISTRUZIONI PER L'USO
MANUAL DE INSTRUCCIONES
INSTRUKCJA OBSŁUGI





Instructions to the specialist dealer

This instruction manual is part and parcel of the product and must accompany every product sold.

Version: E, 2014-07

All rights reserved, including translation.

No part of this manual may be reproduced in any form what so ever (print, photocopy, microfilm or any other process) without written permission of the publisher, or processed, duplicated or distributed by using electronic systems.

© N.V. Vermeiren N.V. 2014



Instructions pour les distributeurs

Ce manuel d'instructions fait partie du produit et doit accompagner chaque produit vendu.

Version : E, 2014-07

Tous droits réservés, y compris la traduction.

Aucune partie de ce manuel ne peut être reproduite, sous quelque forme que ce soit (imprimée, photocopie, microfilm ou tout autre procédé) sans l'autorisation écrite du publicateur, ni traitée, dupliquée ou distribuée à l'aide de systèmes électroniques.

© N.V. Vermeiren N.V. 2014



Instructies voor de vakhandelaar

Deze handleiding is deel van het product en dient bij iedere product te worden geleverd.

Versie: E, 2014-07

Alle rechten, inclusief vertaling, voorbehouden.

Niets uit deze handleiding mag geheel of gedeeltelijk in enige vorm (druk, fotokopie, microfilm of ieder ander procedé) zonder de schriftelijke toelating van de uitgever worden gereproduceerd of met behulp van elektronische systemen worden verwerkt, gekopieerd of verspreid.

© N.V. Vermeiren N.V. 2014



Hinweise für den Fachhändler

Diese Gebrauchsanweisung ist Bestandteil des Produkts und ist bei jeder Produkts auszuhändigen.

Version: E, 2014-07

Alle Rechte, auch an der Übersetzung, vorbehalten.

Kein Teil der Gebrauchsanweisung darf in irgendeiner Form (Druck, Fotokopie, Mikrofilm oder einem anderen Verfahren) ohne schriftliche Genehmigung des Herausgebers reproduziert oder unter Verwendung elektronischer Systeme verarbeitet, vervielfältigt oder verbreitet werden.

© N.V. Vermeiren N.V. 2014



Istruzioni per il rivenditore

Il presente Manuale di istruzioni è parte integrante del prodotto e deve essere fornito assieme alla prodotto.

Versione: E, 2014-07

Tutti i diritti riservati (anche sulla traduzione).

Il presente manuale non può essere riprodotto, neppure parzialmente, con alcun mezzo (stampa, fotocopia, microfilm o altro procedimento) senza l'autorizzazione scritta della casa produttrice, né elaborato, duplicato o distribuito con l'ausilio di sistemi elettronici.

© N.V. Vermeiren N.V. 2014



Instrucciones destinadas a los distribuidores especializados

El presente manual de instrucciones es parte integrante del producto y se debe adjuntar a todas las producto que se vendan.

Versión: E, 2014-07

Todos los derechos reservados, incluidos los de la traducción.

Se prohíbe la reproducción total o parcial del presente manual de cualquier forma (impresión, fotocopia, microfilm o cualquier otro procedimiento), así como la edición, copia o distribución empleando sistemas electrónicos, sin el permiso escrito del editor.

© N.V. Vermeiren N.V. 2014



Instrukcje dla wyspecjalizowanego sprzedawcy

Niniejsza instrukcja obsługi jest nieodłączną częścią produktu i musi być dołączona do każdego sprzedawanego produktu.

Wersja: E, 2014-07

Wszelkie prawa zastrzeżone, łącznie z tłumaczeniem.

Żadna część niniejszej instrukcji nie może być powielana w jakiegokolwiek formie (drukowanej, fotokopii, mikrofilmu ani innej) bez pisemnej zgody wydawcy, nie może być również przetwarzana, kopiowana ani rozprowadzana za pomocą systemów elektronicznych.

© N.V. Vermeiren N.V. 2014

Contents

Preface	2
1 Product description	3
1.1 Intended Use.....	3
1.2 Technical specifications	4
1.3 Drawing	5
1.4 Accessories.....	5
1.5 Location identification plate.....	5
1.6 Explanation of symbols	6
1.7 Safety rules	6
2 Use	6
2.1 Carrying the wheelchair	7
2.2 Mounting the rear wheels	7
2.3 Unfolding the wheelchair	7
2.4 Mounting or removing of the footrest	7
2.5 Operating the brakes.....	8
2.6 Mounting or removing of armrests.....	8
2.7 Transfer in and out the wheelchair	10
2.8 Correct position in the wheelchair	10
2.9 Riding the wheelchair.....	10
2.10 Moving on slopes	10
2.11 Negotiating steps or curbs	11
2.12 Fold up the wheelchair	12
2.13 Taking off the wheels	12
2.14 Transport in the car.....	13
2.15 Use of the wheelchair as seat in a motor vehicle	13
3 Installation and adjustment	15
3.1 Tools	15
3.2 Manner of delivery	15
3.3 Adjusting the seat height	16
3.4 Adjust the brakes.....	17
3.5 Adjusting of the footrest.....	17
3.6 Adjusting the armpad	18
4 Maintenance	18



Preface

First of all we want to thank you for putting your trust in us by selecting one of our wheelchairs.

The Vermeiren wheelchairs are the result of many years of research and experience. During the development, special attention was given to the ease of use and the serviceability of the wheelchair.

The expected lifetime of 8 years for your wheelchair is strongly influenced by the care and maintenance of the wheelchair.

This manual will help you get acquainted with the operation of your wheelchair.

Following the user instructions and the maintenance instructions are an essential part of the warranty.

This manual reflects the latest product developments. Vermeiren has the right to introduce changes without the obligation to adapt or replace previously delivered models.

For any further questions, please consult your specialist dealer.

1 Product description

1.1 *Intended Use*

The wheelchair is intended for people with walking difficulties or no walking abilities.

The wheelchair is designed to transport 1 person.

The wheelchair is suited for indoor and outdoor use.

The user can propel the wheelchair by himself or have the wheelchair pushed by an attendant.

The different types of fittings and accessories, and the modular construction allow full use by persons disabled by:

- paralysis
- loss of limbs (leg amputation)
- limb defects or deformations
- stiff or damaged joints
- heart insufficiencies and poor blood circulation
- balance disturbances
- cachexia (decrease in muscle)
- and also for aged persons.

When providing for individual requirements:

- body size and weight (max. 130 kg)
- physical and psychological condition
- residential circumstances
- environment

should be taken into consideration.

Your wheelchair should only be used on surfaces where all four wheels are touching the ground and where there is sufficient contact to propel the wheels equally.

You should practice for use on uneven surfaces (cobblestones, etc.), slopes, curves and to get past obstacles (curbs, etc.).

The wheelchair should not be used as a ladder, nor is it a transport for heavy or hot objects.

When used on mats, carpeted floors or loose floor coverings, the floor covering can get damaged.

Use only Vermeiren approved accessories.

The manufacturer is not liable for damage caused by the lack of or improper service or as a result of not following instructions from this manual.

Compliance with the user and maintenance instructions are an essential part of the guarantee conditions.



1.2 Technical specifications

Technical terms below are valid for the wheelchair in standard settings.

If other footrest / armrest or other accessories are used, the tabulated values will change.

Make	Vermeiren							
Address	Vermeirenplein 1/15, B-2920 Kalmthout							
Type	Manual wheelchair							
Model	D100							
Maximum occupant mass	130 kg							
Description	Dimensions							
Effective seat width	380 mm	400 mm	420 mm	440 mm	460 mm	480 mm	500 mm	520 mm
Overall width (depends on the seat width)	580 mm	600 mm	620 mm	640 mm	660 mm	680 mm	700 mm	720 mm
Description	Dimensions Min.				Dimensions Max.			
Overall length with legrest	1010 mm							
Folded length	1010 mm							
Folded width	300 mm							
Folded height	880 mm				940 mm			
Total mass	18 kg							
Mass of heaviest part	10,5 kg							
Static stability downhill	16° (in standard configuration)							
Static stability uphill	12° (in standard configuration)							
Static stability sideways	20° (in standard configuration)							
Maximum safe slope	12°							
Obstacle climbing	60 mm							
Seat plane angle	5°							
Effective seat depth	430 mm							
Seat surface height at front edge	470 mm				530 mm			
Backrest angle	5°							
Backrest height	420 mm							
Distance between footrest and seat	385 mm				455 mm			
Angle between seat and footrest	8°							
Distance between armpad and seat	220 mm				240 mm			
Front location of armpad structure	410 mm							
Handrim diameter	535 mm							
Horizontal location of axle (deflection)	37 mm							
Minimum turning radius	1500 mm							
Diameter PU Rear wheels	22"				24"			
Diameter PU steering wheels	200 mm							
Storage and use temperature	+ 5 °C				+ 41 °C			
Storage and use humidity	30%				70%			
We reserve the right to introduce technical changes. Measurement tolerance ± 15 mm / 1,5 kg / °								

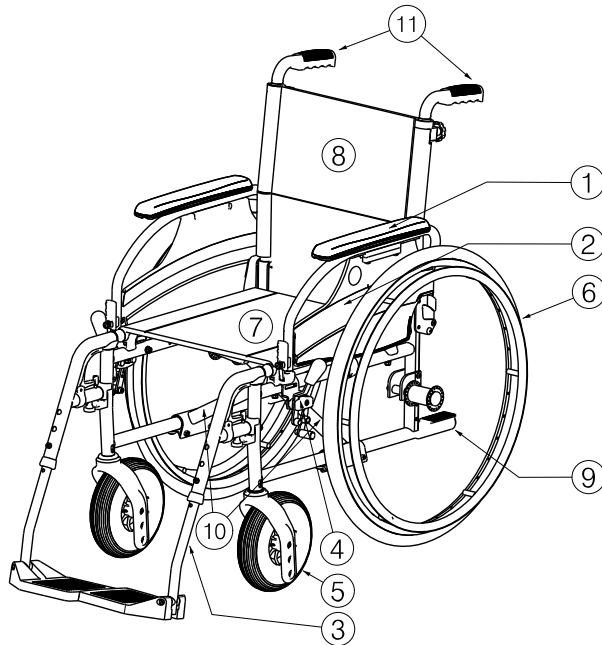
Table 1: Technical specifications

The wheelchair complies to the requirements set up in:

ISO 7176-8: Requirements and test methods for static, impact and fatigue strengths.

ISO 7176-16: Resistance to ignition of upholstered parts

1.3 Drawing



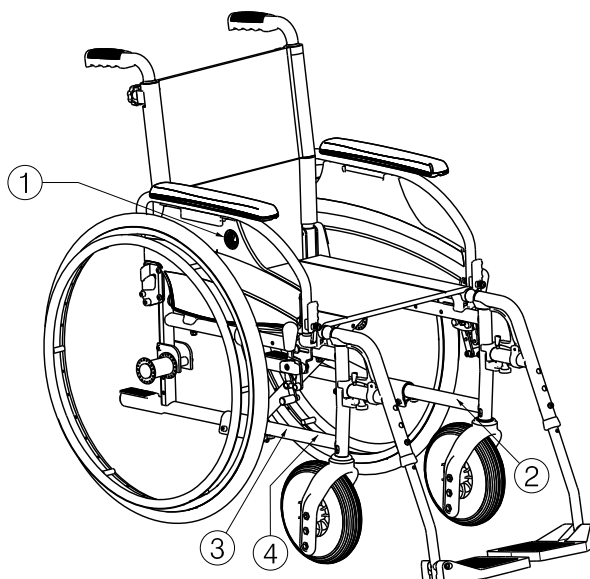
- 1 = Armpads
- 2 = Armrests
- 3 = Footrests
- 4 = Brakes
- 5 = Steering wheels (front wheels)
- 6 = Driving wheels (rear wheels)
- 7 = Seat
- 8 = Back
- 9 = Tip cap
- 10 = Cross
- 11 = Handgrips

1.4 Accessories

The following accessories are available for the D100:

- Anterior pelvic belt (B20) for mounting on the tubes of the back (see according manual)
- Anti-tipping device (B78) for mounting on the bottom frame (see according manual)

1.5 Location identification plate



- 1 = Logo Vermeiren
- 2 = Identification plate
- 3 = Name Vermeiren
- 4 = Taxi-hooks

1.6 Explanation of symbols



Maximum mass



Indoor and outdoor use



Maximum Safe Slope



CE conformity



Type designation

1.7 Safety rules

- ⚠ To prevent injury and/or damage to your wheelchair, make sure that no objects and/or body parts are caught in the spokes of the driving wheels.
- ⚠ The parking brakes should be applied before getting into and out of the wheelchair.
- ⚠ When getting into and out of the wheelchair, do not stand on the footplates. These should be folded up beforehand, or the footrest should be swung completely outwards out of the way.
- ⚠ Investigate the effects of shifting the centre of gravity on the behavior of the wheelchair, for example on up or down gradients, on laterally sloping ground, or when overcoming obstacles. Obtain support from an attendant.
- ⚠ If you want to pick up something (lying in front of, on the side, or to the rear of the wheelchair), you should not lean too far out to avoid tipping over.
- ⚠ When moving through doors, arches, etc. ensure that there is enough room at the sides so that you do not get your hands or arms caught or crushed and that there is no damage to the wheelchair.
- ⚠ Only use your wheelchair according to regulations. For example, avoid uncontrolled rolling against obstacles (steps, curbs, doorframes, etc) or dropping down from ledges. The manufacturer cannot assume liability for damage caused by overloading, collision or other improper use.
- ⚠ Stairs may only be negotiated when aided by another person. If furnishings like drive-on, ramps or lifts are available, use them.
- ⚠ When moving on the public highway, you are subject to the rules of the road.
- ⚠ When driving your wheelchair, you should not be under the influence of alcohol or medicine as in the case of driving other vehicles. This also applies to indoor driving.
- ⚠ When travelling outdoors, adapt your driving to weather and traffic conditions.
- ⚠ To be better visible when driving in the dark, wear the brightest possible clothing or clothes with reflectors, and check that the reflectors mounted on the sides and rear of the wheelchair are clearly visible.
- ⚠ Never exceed the maximum load of 130 kg.

2 Use

This chapter describes the everyday use. **These instructions are for the user and the specialist dealer.**

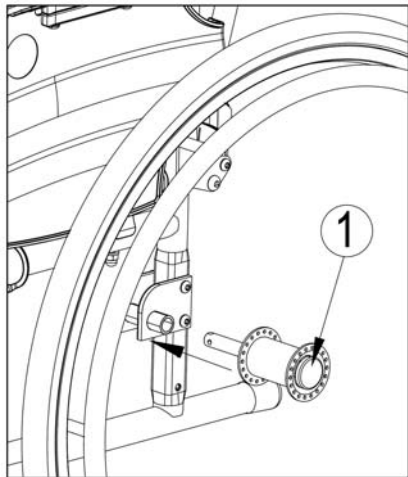
The wheelchair is delivered fully assembled by your specialist dealer. The instructions intended for the specialist dealer on how to set up the wheelchair are given in § 3.

2.1 Carrying the wheelchair

The best way to carry the wheelchair is to make use of the wheels and roll the wheelchair.

If this is not possible (e.g. when the rear wheels are taken off for transportation in a car), firmly grasp the frame on the front and the grips. Do not use the foot- or armrests or the wheels to grasp the wheelchair.

2.2 Mounting the rear wheels



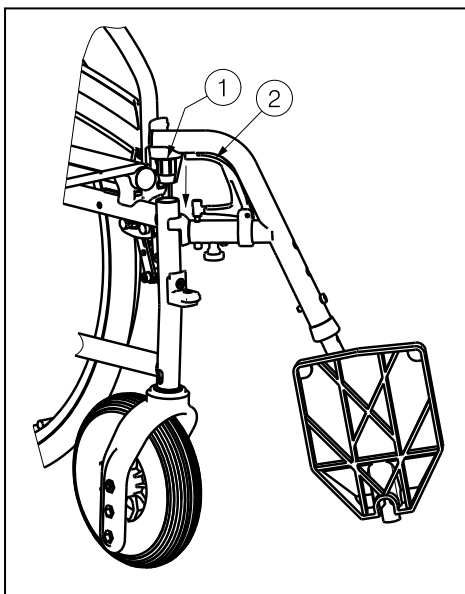
1. Take the rear wheel and push on button ①.
2. Keep the button pushed in and mount the rear wheels axle till it stops.
3. Release the button.
4. Check that the wheels are secured.

2.3 Unfolding the wheelchair

⚠ CAUTION: Risk of clamping – Keep fingers away from moving parts of the wheelchair.

1. Position yourself behind the wheelchair.
2. Use the hand-grips to open the wheelchair as much as possible.
3. Position yourself at the front of the wheelchair.
4. Push both seating tubes down till they are fixed in their position.

2.4 Mounting or removing of the footrest



The mounting of the footrest is done as follows:

1. Hold the footrest sideways at the outside of the wheelchairs frame and mount the tube hood ① into the frame.
2. Swing the footrest inwards till it clicks in position.
3. Swing the footplate downwards.

To take off the footrests:

1. Pull lever ②.
2. Swing the footrest to the outside of the wheelchair till it comes loose from the guidance.
3. Pull the footrest from tube hood ①.

2.5 Operating the brakes

- ⚠ **WARNING:** The brakes are not used to slow down the wheelchair during movements – Use the brake only to prevent the wheelchair from unintended movements.
- ⚠ **WARNING:** Good operation of the brakes is influenced by wear and contamination of the tires (water, oil, mud, ...) – Check the condition of the tires before each use.
- ⚠ **WARNING:** The brakes are adjustable and can wear – Check the operation of the brakes before each use.
- ⚠ **WARNING:** Risk of clamping - Do not touch the wheelchair frame with your hands, fingers when applying, releasing the brakes.

To apply the brakes:

1. Push the brake handles forward till you feel a distinctive click.

- ⚠ **CAUTION:** Risk of unintended movement – Make sure the wheelchair is on a flat horizontal surface before releasing the brakes. Never release both brakes simultaneously.

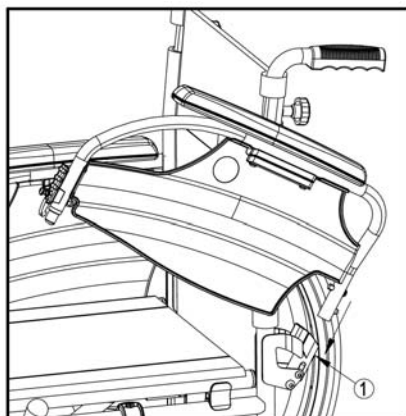
To release the brakes:

1. Release one brake by pulling the handle backwards.
2. Hold the hand-rim of the released wheel with your hand.
3. Release the second brake by pulling the handle backwards.

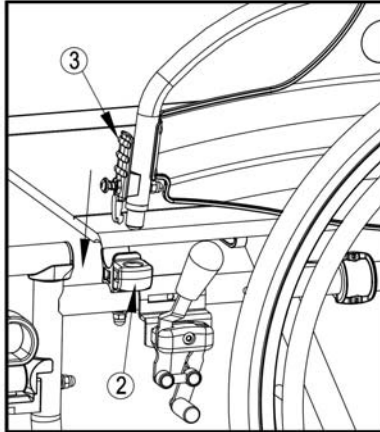
2.6 Mounting or removing of armrests

The armrests of the wheelchair can be mounted by following instructions.

- ⚠ **CAUTION:** Risk of clamping – Keep fingers, buckles and clothes away from the bottom side of the armrest.
- ⚠ **CAUTION:** Risk of clamping – Be careful that your fingers, hands are not squeezed between the rear wheels and the side plate of the armrests.

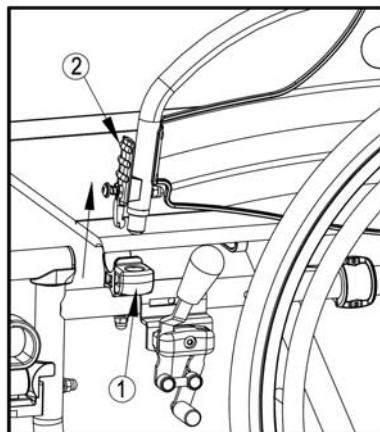


1. Mount the rear tube of the armrest in tube hood ①.
2. Make sure the armrest clicks in the locking mechanism.
3. Fold the armrest forward.



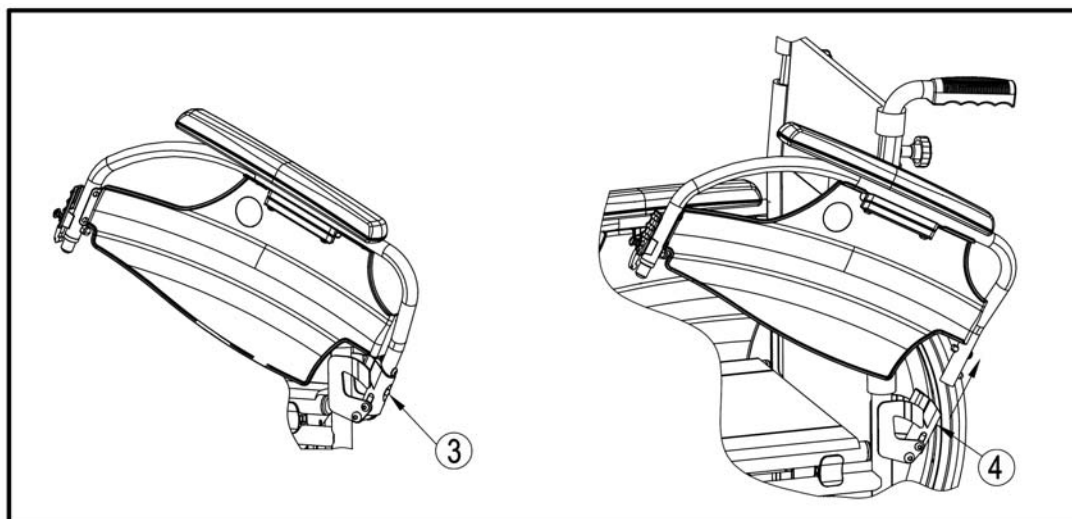
4. Click the front tube of the armrest in tube hood ②.

To open and remove the armrest:



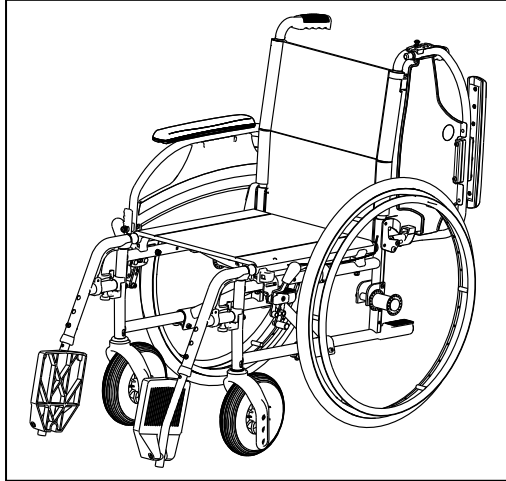
1. Press lever ① and pull the front of the armrest upwards.
2. Fold the armrest backwards.

3. To remove the armrest, press button ③ and pull the rear of the armrest from tube hood ④.



2.7 Transfer in and out the wheelchair

- ⚠ **CAUTION:** In case you cannot perform the transfer in a safe manner, ask someone to assist you.
- ⚠ **CAUTION:** Risk of tipping over of the wheelchair – Do not stand on the foot plate.



1. Position the wheelchair as close as possible to the chair, couch or bed to/from you wish to transfer.
2. Check both brakes from the wheelchair are in the on position.
3. Fold the foot plates upwards to prevent standing on them.
4. If the transfer is on the side of the wheelchair, fold the armrest on that side upwards. (see § 2.6)
5. Transfer to/from the wheelchair.

2.8 Correct position in the wheelchair

Some recommendations for a comfortable use of the wheelchair:

- Position your backside as close as possible to the back rest.
- Make sure your upper legs are horizontal – If needed adjust the length of the foot rests. (see § 3.5)

2.9 Riding the wheelchair

- ⚠ **WARNING:** Risk of clamping – Prevent your fingers from being caught by the wheels spokes.
- ⚠ **WARNING:** Risk of clamping – Prevent that your fingers, hands are clamped between the hand rim and rear wheel.
- ⚠ **WARNING:** Risk of clamping – Be careful passing through restricted passages (e.g. doors).
- ⚠ **WARNING:** Risk of burns – Be careful when driving in hot or cold environments (sunshine, extreme cold, saunas, etc.) for a sufficient amount of time and when touching - Surfaces can assume the environment temperatures.

1. Release the brakes.
2. Take both hand rims at their highest position.
3. Lean forward and push the hand rims forward until straight arms.
4. Swing your arms loosely back to the hand rims topside and repeat the movement.

2.10 Moving on slopes

- ⚠ **WARNING:** Control your speed – Moving on slopes as slow as possible.
- ⚠ **WARNING:** Consider the capacities of your attendant – If your attendant does not have enough force to control the wheelchair, put on the brakes.
- ⚠ **WARNING:** Risk of tipping over – Lean forward to move your centre of gravity forward. To improve a better stability.



1. If available on the wheelchair, wear the safety belt.
2. Do not attempt moving on too high slopes. The maximum slope angles (upwards and downwards) are mentioned in table 1.
3. Ask an attendant to help you moving on the slope.
4. Lean forward to move your centre of gravity forward.

2.11 Negotiating steps or curbs

2.11.1 Getting down steps or curbs

Riding down low curbs can be done moving forwards. Make sure that the foot rests do not touch the ground.



A practiced user can negotiate small steps or curbs by himself:

⚠ WARNING: Risk of tipping over – If you do not have enough experience with your wheelchair, ask assistance of an attendant.

1. Bring balance on the rear wheels to reduce the pressure on the front wheels.
2. Negotiate the curbs.

Higher curbs can be taken forward with an attendant:

1. Ask the attendant to tip the wheelchair slightly backwards.
2. Get past the curbs while moving on the rear wheels.
3. Put the wheelchair back on the four wheels.



An experienced user can negotiate higher curbs by himself. This is best done backwards.

1. Turn the wheelchair to have the rear wheels facing the curb.
2. Lean forward to move your centre of gravity forward.
3. Move the wheelchair close to the curbs.
4. Use the hand rim to roll-off wheelchair from the curb in a controlled manner.

2.11.2 Moving up steps or curbs

Moving up steps or curbs with attendant as follows:



1. Prevent the foot rests from touching the curb.
2. Ask the attendant to tip the wheelchair backwards, just enough to move the front wheels over the curb.
3. Lean backwards to move your centre of gravity above the rear wheel.
4. Place the front wheels on the curb.
5. Roll rear wheels of the wheelchair over the curb.

Higher curbs are negotiated backwards:

1. Turn the wheelchair to have the rear wheels facing the curb.
2. Lean backwards and move your centre of gravity above the rear wheels.
3. Ask the attendant to pull the wheelchair on the curb.
4. Take back the normal position in the wheelchair.

An experienced user can negotiate curbs by himself:

⚠ WARNING: Risk of tipping over – If you have not enough experience to control the wheelchair, get help from an attendant.



1. Drive until the curbs.
2. Ensure that the footrest do not touch the curbs.
3. Lean backwards so you are balancing on the rear wheels.



4. Role the front wheels balancing over the curbs.
5. Bend forwards for more stability.
6. Role the rear wheels over the curbs.

2.11.3 Taking of stairs

Taking of stairs while you staying in the wheelchair shall be according following rules:

⚠ WARNING: Risk of tipping over – Taking of stairs shall always with 2 attendants.

1. Remove the footrests.
2. One attendant tip the wheelchair slightly backwards.
3. The second attendant take the front of the frame.
4. Stay calm, avoid sudden movements and keep your arms inside the wheelchair.
5. Take the steps on the rear wheels of the wheelchair.
6. Mounting the footrests back after taking the stair.

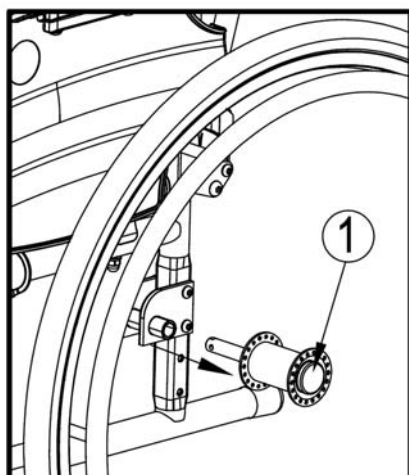
2.12 Fold up the wheelchair

⚠ CAUTION: Chance of pinching – Do not place fingers between the components of the wheelchair.

1. Fold or remove the footplates (see § 2.4).
2. Take the seat on the front side and backside and pull it up.

2.13 Taking off the wheels

To facilitate the transport off the wheelchair the rear wheels can be taken off:



1. Make sure the brakes standing in the off position.
2. Take the wheelchair to the side frame where you want to remove the wheel.
3. Press the button ① in the center of the wheel hub.
4. Pull the wheel away from the frame.

2.14 Transport in the car

- ⚠ **WARNING: Risk of injury – See that the wheelchair is attached properly. So you can avoid injury from the passengers during collision or sudden braking.**
- ⚠ **WARNING: Risk of injury – Use for attaching the wheelchair and passenger NEVER the same seatbelt.**

To transport the wheelchair in the car use following steps:

1. Remove footrests and accessories.
2. Store footrests and accessories safely.
3. If possible, fold the wheelchair and remove the wheels.
4. Place the wheelchair in the luggage place.
5. If the wheelchair and the passenger compartment is NOT separated, attach the frame of the wheelchair securely to the vehicle. You can use the available safety belts in the vehicle.

2.15 Use of the wheelchair as seat in a motor vehicle

- ⚠ **WARNING: Risk of injury - The wheelchair may only be used as a seat in a motor vehicle when the handgrips are placed in the lowest position. In other cases it is forbidden to use the wheelchair as a seat in a motor vehicle.**
- ⚠ **WARNING: The wheelchair has passed the crash of ISO 7176-19: 2008 and, as such, has been designed and tested for use only as forward-facing seat in a motor vehicle.**
- ⚠ **WARNING: The wheelchair's pelvic belt alone is not suited as an occupant restraint belt.**

The wheelchair is tested using the four-point strap-tie system and a 3-point occupant-restraint system.

Whenever feasible, use the seat of the vehicle and store the wheelchair in the cargo area.

Steps to secure the wheelchair in a motor vehicle:

1. Check that the vehicle is equipped with a suitable wheelchair tie down and occupant-restraint system, conform ISO 10542.
2. Check that the components of the wheelchair tie down and occupant restraint system are not frayed, contaminated, damaged or broken.
3. If equipped with an adjustable seat and/or back tilt, make sure that the wheelchair user is sitting as upright as possible. If the user's condition prevents this, a risk assessment should be done to evaluate the user's safety during transit.
4. Remove all mounted accessories such as trays and respiratory equipment, and secure them in a safe place.
5. Position the wheelchair facing forward in the travelling direction, centrally between the tie-down rails mounted in the floor of the vehicle.
6. Make sure that the indicated zones around the wheelchair user are clear from rigid vehicle parts.

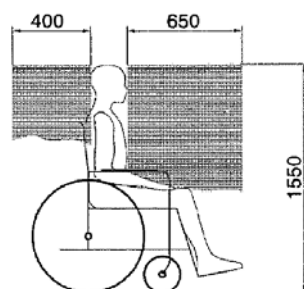


figure 1

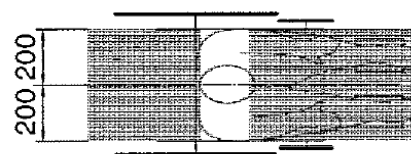


figure 2

7. Mount the front securement straps according to the instructions of the strap-system manufacturer at the indicated place. (figure 3)
This place is marked on the wheelchair with a symbol. (figure 4)
8. Roll back the wheelchair until the front straps are tight.
9. Apply the wheelchair brake.
10. Mount the back securement straps according to the instructions of the strap-system manufacturer at the indicated place. (figure 3)
11. This place is marked on the wheelchair with a symbol. (figure 4)

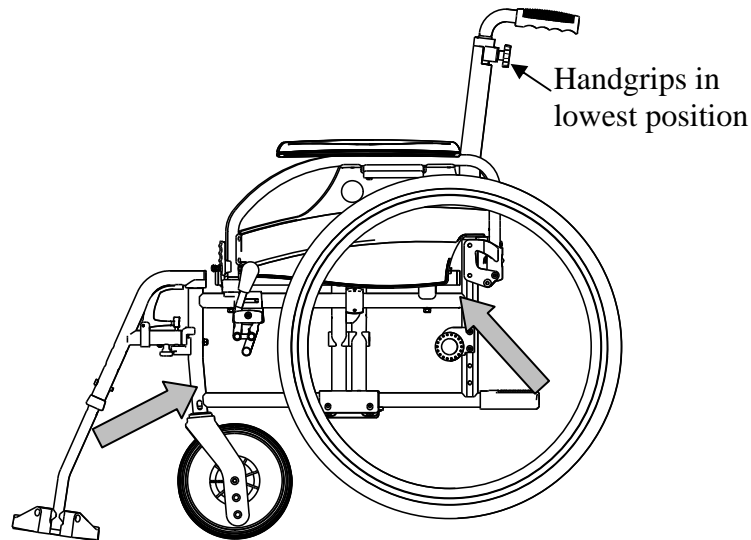


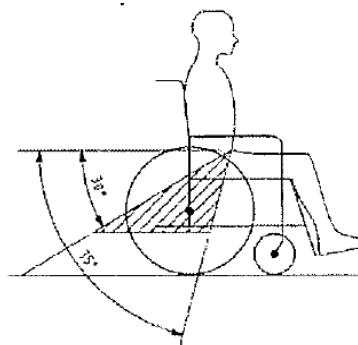
Figure 3



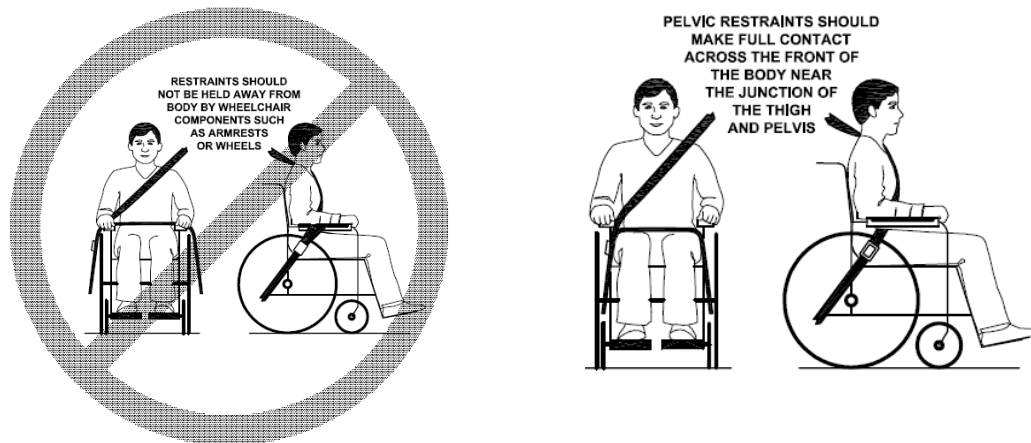
figure 4

Steps to secure the wheelchair user:

1. Remove both arm rests.
2. If present, attach the wheelchair's pelvic belt.
3. Attach the occupant restraint belts according to the instructions of the strap-system manufacturer.
4. Wear the pelvic belt low across the front of the pelvis, so that the angle of the pelvic belt is within the preferred zone of 30° to 75° to the horizontal, similar to that shown below.



5. A steeper (greater) angle within the preferred zone is desirable.
6. Adjust the belt tightly according to the instructions of the strap-system manufacturer, consistent with the user's comfort.
7. Ensure that the restraint belt connects in a straight line to the anchor point in the vehicle and that no bends in the belt are visible, for instance at the axle of the rear wheel.
8. Install the arm rests, if desired. make sure that belts are not twisted or held away from the body by wheelchair components such as arm rests or wheels.



3 Installation and adjustment

The instructions in this chapter are for the specialist dealer.

The Vermeiren D100 has been designed to be adjust with a minimum of replacements parts. There is no need for extra stock of spare parts.

To find a service facility or specialist dealer near you, contact the nearest Vermeiren facility. A list of Vermeiren facilities can be found on the last page.

⚠ WARNING: Risk of unsafe settings - Use only the settings described in this manual.

⚠ WARNING: Variation of allowed adjustments can still change the stability of your wheelchair (tilt back or sideways).

3.1 Tools

To set up the wheelchair the following tools are needed.

- Wrench set n° 7 to n° 22
- Allen key set n° 3 to n° 8
- Screwdriver n° 4 to n° 5
- Screwdriver Phillips head

3.2 Manner of delivery

The Vermeiren D100 shall be delivered with:

- 1 frame with armrests, rear and front wheels (seat height of 500 mm)
- 1 pair footrests
- Tools
- Manual
- Accessories

3.3 Adjusting the seat height

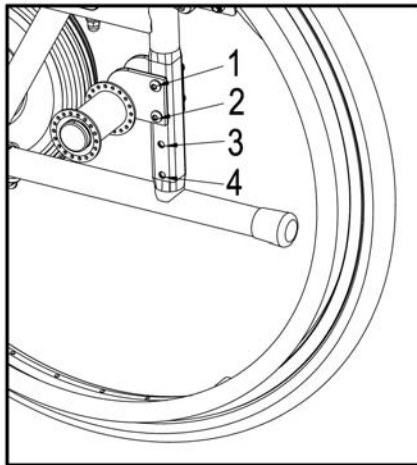
The Vermeiren D100 is adjustable in 3 seat heights by changing the wheels position. At each height there is a different setting of the front and rear wheels.

⚠ WARNING: The top hole of the axle plate is not intended for mounting the rear axle - This hole is for mounting the drum brake.

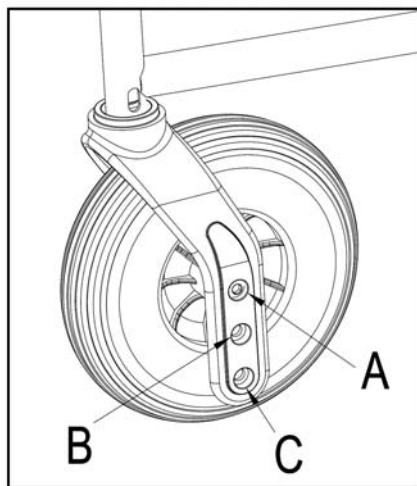
Seat height	Rear wheel	Front wheel
470 mm	Hole 1 and Hole 2	Hole A
500 mm (Standard)	Hole 2 and Hole 3	Hole B
530 mm	Hole 3 and Hole 4	Hole C

Table 2: Seat heights

Change the seat height according the following steps:



1. Remove the rear wheels (see § 2.13).
2. Remove the screw from the plate.
3. Assemble the plate in the right hole of the side frame, see Table 2.
4. Check if the axle bushings are fastened well.

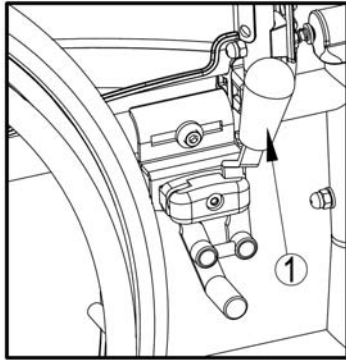


5. Remove the screw from the front fork and wheels.
6. Place it according table 2.
7. Install the front wheels and tighten it. Check if it turn smoothly, but there is no space for motion.
8. Mount the rear wheels.
9. If installed properly the fork of the front wheels and the ground must be perpendicular. Check this.
10. Adjust the brakes according § 3.4.

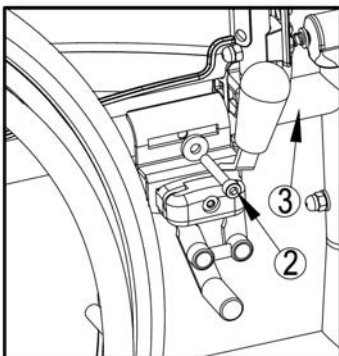
3.4 Adjust the brakes

⚠ WARNING: Risk of injury – Brakes may only be adjusted by your specialist dealer.

Adjust the brakes according following rules:



1. Install the wheels according § 2.2.
2. Disconnect the brakes by pulling lever ① backwards.

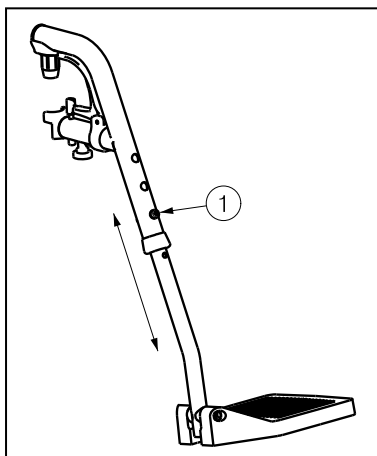


3. Loosen the bolts ② so the brake mechanism can slide over the guide ③.
4. Pull the brake mechanism over the guide ③ to the desired position.
5. Retighten the bolts ②.
6. Check working of the brakes.
7. If necessary repeat the above steps until the brakes are adjusted well.

3.5 Adjusting of the footrest

3.5.1 Length of the footrest

⚠ CAUTION: Risk of damage – Avoid that the footrest make any contact with the ground. Keep a minimum distance from 60 mm above the ground.



Adjust the length of the footrest as follow (3 positions possible: steps 35 mm → holes outside tube, 6 positions possible: steps 25 mm → inner tube):

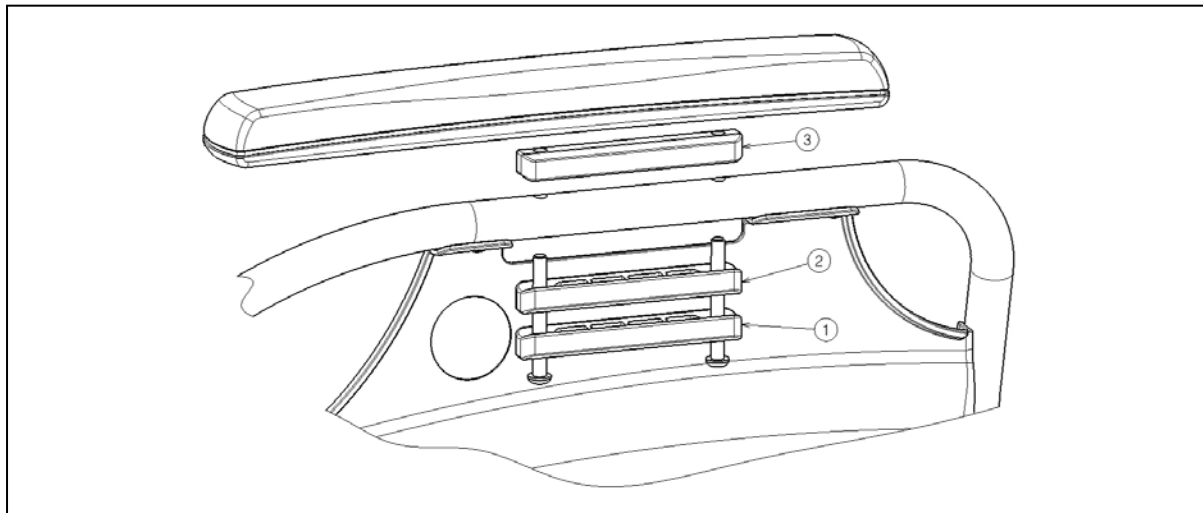
1. Remove the screw ①.
2. Adjust the length of the footrest to a comfortable length.
3. Tighten the screw ① properly.

3.6 Adjusting the armpad

The armpad of your wheelchair can be adjustable in height and depth. The height of the armpad can be adjusted in 3 positions.

Height armpad to seat	Number of the blocks under the tube	Number of blocks between tube and armpad
220 mm (Standard)	2	1
230 mm	1	2
240 mm	0	3

Table 3: Height of armpad



The depth of the armpad can be adjusted in 3 positions.

Depth of the armpad	Used holes
Front position	Back and middle
Middle position (Standard)	Hole 2 and 4
Back position	Front and middle

Table 4: Depth of armpad

Adjust the height and the depth of the armpad as follow:

1. Remove both screws under the armpad.
2. Place the correct number of blocks under and above the tubes, see table 3.
3. Install the armpad with the required holes for depth adjustment.

4 Maintenance

For the maintenance manual of the wheelchairs refer to the Vermeiren website:
www.vermeiren.be.

Table des matières

Préface	2
1 Description du produit	3
1.1 Utilisation prévue	3
1.2 Spécifications techniques	4
1.3 Composants	5
1.4 Accessoires.....	5
1.5 Emplacement de la plaque d'identification	5
1.6 Explication des symboles	6
1.7 Règles de sécurité.....	6
2 Utilisation	6
2.1 Transport du fauteuil roulant.....	7
2.2 Montage des roues arrière	7
2.3 Dépliage du fauteuil roulant.....	7
2.4 Placer ou enlever le repose-pied.....	7
2.5 Utilisation des freins.....	8
2.6 Placer ou enlever les accoudoirs	8
2.7 Transfert dans et hors du fauteuil roulant.....	10
2.8 Position correcte du fauteuil roulant	10
2.9 Déplacements avec le fauteuil roulant	10
2.10 Déplacements en pente.....	10
2.11 Passage de marches ou de bordures de trottoirs.....	11
2.12 Pliage du fauteuil roulant	12
2.13 Retrait des roues	13
2.14 Transport en voiture	13
2.15 Utilisation du fauteuil roulant comme siège dans un véhicule.....	13
3 Installation et réglage	15
3.1 Outils.....	16
3.2 Mode de livraison.....	16
3.3 Réglage de la hauteur d'assise	16
3.4 Réglages des freins.....	17
3.5 Réglage du repose-pied	18
3.6 Réglage des manchettes	18
4 Maintenance	19

Préface

Nous tenons tout d'abord à vous remercier de nous avoir fait confiance en choisissant l'un de nos fauteuils roulants.

Les fauteuils roulants Vermeiren sont le résultat de nombreuses années de recherche et d'expérience. Au cours du développement, une attention spéciale a été portée sur la facilité d'utilisation et les possibilités d'entretien du lit.

La durée de vie attendue de 8 ans de votre fauteuil roulant est fortement influencée par l'entretien et la maintenance dont il bénéficie.

Ce manuel vous aidera à connaître le fonctionnement de votre fauteuil roulant.

Le respect des instructions d'utilisation et des instructions de maintenance est une condition essentielle de la garantie.

Ce manuel reflète les derniers développements du produit. Vermeiren est autorisé à apporter des modifications sans devoir pour autant adapter ou remplacer les modèles fournis précédemment.

Pour toute question, consultez votre distributeur.

1 Description du produit

1.1 Utilisation prévue

Le fauteuil roulant est destiné aux personnes qui ont des difficultés à marcher ou sont dans l'impossibilité de marcher.

Le fauteuil roulant est destiné au transport d'une seule personne.

Le fauteuil roulant est destiné à une utilisation en intérieur et en extérieur.

L'utilisateur peut lui-même faire avant le fauteuil roulant ou se faire pousser par une autre personne.

Les différents types d'équipements et d'accessoires et la construction modulaire permettent une utilisation complète par des personnes souffrant des handicaps suivants:

- paralysie,
- de la perte de membres (amputation des jambes),
- déficience ou malformation de membres,
- de contractions ou d'affections articulaires
- insuffisances cardiaques et mauvaise circulation sanguine,
- troubles de l'équilibre,
- cachexie (perte musculaire),
- et les personnes gériatriques

En cas de fourniture pour des besoins individuels :

- de la taille et du poids corporel (maximum 130 kg)
- de l'état physique et psychologique,
- environnement
- l'environnement

Votre fauteuil roulant ne doit être utilisé que sur des surfaces où les quatre roues touchent le sol et où le contact est suffisant pour entraîner les roues de manière équilibrée.

Il est recommandé de s'entraîner à un usage sur des surfaces irrégulières (pavés, etc.), pentes, courbes et à passer des obstacles (bordures de trottoirs, etc.).

Le fauteuil roulant ne doit pas être utilisé comme échelle, ni pour le transport d'objets lourds ou chauds.

En cas d'utilisation sur des paillasons, moquettes ou revêtements de sols non fixés, le revêtement de sol peut être endommagé.

Utilisez uniquement des accessoires approuvés par Vermeiren.

Le fabricant n'est pas responsable des dommages causés par l'absence ou l'inadéquation de l'entretien, ou par le non-respect des instructions de ce manuel.

Le respect des instructions d'utilisation et des instructions de maintenance est une condition essentielle de la garantie.

1.2 Spécifications techniques

Les indications techniques ci-dessous sont valides pour le fauteuil roulant avec ses réglages standard. En cas d'utilisation d'autres repose-pieds/accoudoirs ou autres accessoires, les valeurs indiquées sont modifiées.

Marque	Vermeiren							
Adresse	Vermeirenplein 1/15, B-2920 Kalmthout							
Type	Fauteuil roulant manuel							
Modèle	D100							
Poids max. du patient	130 kg							
Description	Dimensions							
Largeur d'assise efficace	380 mm	400 mm	420 mm	440 mm	460 mm	480 mm	500 mm	520 mm
Largeur totale (en fonction de la largeur d'assise)	580 mm	600 mm	620 mm	640 mm	660 mm	680 mm	700 mm	720 mm
Description	Dimensions min.				Dimensions max.			
Longueur totale avec repose-pied	1010 mm							
Longueur plié	1010 mm							
Largeur plié	300 mm							
Hauteur plié	880 mm				940 mm			
Masse totale	18 kg							
Masse de la partie la plus lourde	10,5 kg							
Stabilité statique en descente	16° (en configuration standard)							
Stabilité statique en montée	12° (en configuration standard)							
Stabilité statique latérale	20° (en configuration standard)							
Pente sécurisée maximale	12°							
Passage d'obstacle	60 mm							
Angle du plan d'assise	5°							
Profondeur d'assise efficace	430 mm							
Hauteur de la surface d'assise sur le bord avant	470 mm				530 mm			
Angle du dossier	5°							
Hauteur du dossier	420 mm							
Distance entre le repose-pied et le siège	385 mm				455 mm			
Angle entre le repose-pied et le siège	8°							
Distance entre l'accoudoir et le siège	220 mm				240 mm			
Emplacement avant de la structure des accoudoirs	410 mm							
Diamètre de la main-courante	535 mm							
Emplacement horizontal de l'essieu (flèche)	37 mm							
Diamètre de braquage minimum	1500 mm							
Diamètre des roues arrière PU	22"				24"			
Diamètre des roues directrices PU	200 mm							
Température de stockage et d'utilisation	+ 5 °C				+ 41 °C			
Humidité de stockage et d'utilisation	30%				70%			
Nous nous réservons le droit d'apporter des modifications techniques. Tolérances ± 15 mm / 1,5 kg / °								

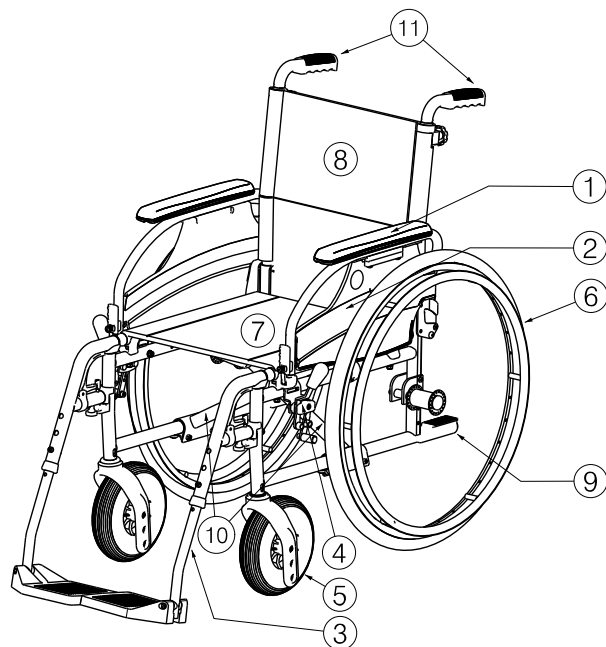
Tableau 1 : Spécifications techniques

Le fauteuil roulant satisfait aux exigences posées dans :

ISO 7176-8: Exigences et méthodes de test pour les forces statiques, d'impact et de fatigue.

ISO 7176-16: Résistance à l'inflammation des pièces rembourrées

1.3 Composants



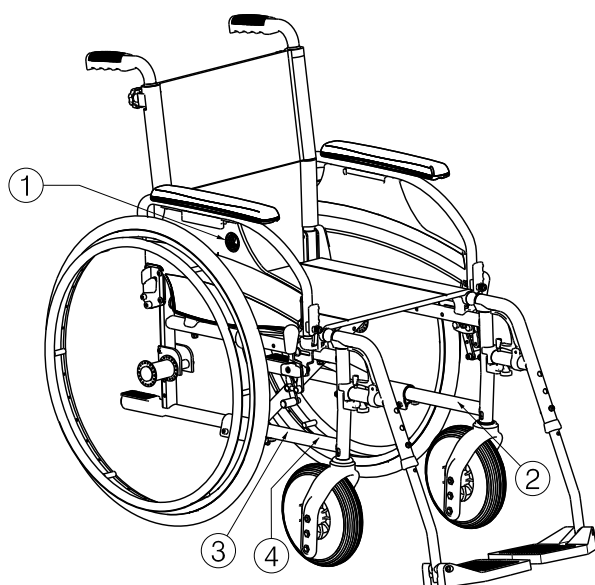
- 1 = Manchettes
- 2 = Accoudoirs
- 3 = Repose-pieds
- 4 = Freins
- 5 = Roues directrices (roues avant)
- 6 = Roues motrices (roues arrière)
- 7 = Siège
- 8 = Dossier
- 9 = Monte trottoir supplémentaire
- 10 = Croisillon
- 11 = Poignées

1.4 Accessoires

Les accessoires suivants sont disponibles pour le D100 :

- Sangle pelvienne antérieure (B20) à monter sur les tubes du dossier (voir le manuel correspondant)
- Roulette anti bascule (B78) à fixer sur le cadre inférieur (voir le manuel correspondant)

1.5 Emplacement de la plaque d'identification



- 1 = Logo Vermeiren
- 2 = Plaque d'identification
- 3 = Nom Vermeiren
- 4 = Taxi crochets

1.6 Explication des symboles



Poids maximum



Usage intérieur et extérieur



Pente sécurisée maximale



Conformité CE



Désignation type

1.7 Règles de sécurité

- ⚠ Lorsque vous utilisez les roues motrices, veillez à ce qu'aucun objet et/ou partie du corps ne puisse prendre dans les rayons, sous peine de blessures et/ou de dégâts à votre fauteuil roulant.
- ⚠ Actionnez les freins de stationnement avant de vous installer ou de quitter votre fauteuil roulant.
- ⚠ En vous installant ou en quittant votre fauteuil roulant, veillez à ne pas marcher sur les palettes. Ils doivent être repliés vers le haut ou tout les repose-pieds doivent être tourné vers l'extérieur.
- ⚠ Observez les effets sur le comportement du fauteuil roulant lorsque vous déplacez son centre de gravité, sur une pente ou une montée, sur un sol avec une pente latérale ou lors du franchissement d'obstacles par exemple. Faites-vous aider par un accompagnateur.
- ⚠ Lorsque vous prenez des objets (qui se trouvent devant, à côté ou derrière le fauteuil roulant), veillez à ne pas trop vous pencher en dehors du fauteuil roulant. car il y a un risque de basculement en raison du déplacement du centre de gravité.
- ⚠ Lorsque vous franchissez des portes, des arches, etc., assurez-vous d'avoir assez d'espace sur les côtés de façon à ne pas coincer ou écraser vos mains ou vos bras et à ne pas endommager votre fauteuil roulant.
- ⚠ Respectez les règles lors de l'utilisation de votre fauteuil roulant. Par exemple, évitez de perdre le contrôle lorsque vous vous dirigez vers des obstacles (marches, bordures, chambranles, etc.) ou lorsque vous descendez d'un rebord. Le fabricant n'assume aucune responsabilité en cas de dommages causés par une surcharge, une collision ou toute autre utilisation inadaptée.
- ⚠ N'empruntez des escaliers qu'avec l'aide d'une autre personne. Si un élévateur, des rampes ou des ascenseurs sont disponibles, utilisez-les.
- ⚠ Lors de tout déplacement sur la voie publique, vous êtes soumis au code de la route.
- ⚠ Lorsque vous utilisez votre fauteuil roulant, vous ne devez pas être sous l'influence de l'alcool ou de médicaments comme pour la conduite d'autres véhicules. Cette règle s'applique également à une utilisation à l'intérieur.
- ⚠ Lors de déplacements à l'extérieur, adaptez votre conduite aux conditions climatiques et du trafic.
- ⚠ Pour être bien visibles dans l'obscurité, portez les vêtements les plus clairs possible ou des vêtements réfléchissants et vérifiez que les réflecteurs fixés sur les côtés et à l'arrière de votre fauteuil roulant sont clairement visibles.
- ⚠ Ne dépassez jamais la charge maximale de 130 kg.

2 Utilisation

Ce chapitre décrit l'utilisation quotidienne. **Ces instructions sont destinées à l'utilisateur et au distributeur.**

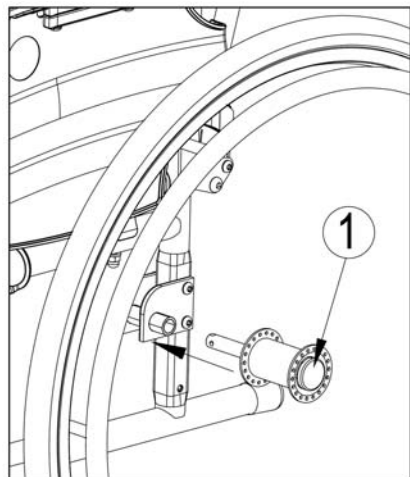
Le fauteuil roulant est livré entièrement assemblé par votre distributeur. Les instructions destinées au distributeur pour le réglage du fauteuil roulant sont indiquées au § 3.

2.1 Transport du fauteuil roulant

Le meilleur moyen de déplacer le fauteuil roulant consiste à le faire rouler sur ses roues.

Si cela n'est pas (par exemple en cas de retrait des roues arrière pour le transport dans une voiture), saisir fermement le cadre à l'avant et les poignées. Ne pas saisir le fauteuil roulant par les repose-pieds ni par les accoudoirs.

2.2 Montage des roues arrière



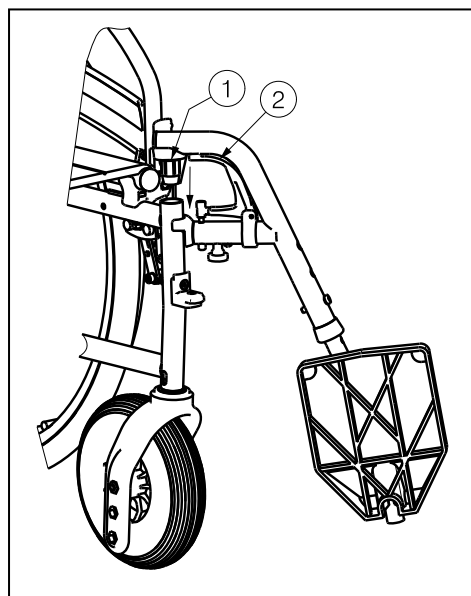
1. Prenez la roue arrière et poussez sur le bouton ①.
2. Maintenez le bouton enfoncé et montez l'essieu arrière jusqu'à ce qu'il soit bloqué.
3. Relâchez le bouton.
4. Vérifiez que les roues sont bloquées.

2.3 Dépliage du fauteuil roulant

⚠ ATTENTION : Risque de coincement - Laissez les doigts à l'écart des pièces amovibles du fauteuil roulant.

1. Placez-vous derrière le fauteuil roulant.
2. Utilisez les poignées pour ouvrir le fauteuil roulant autant que possible.
3. Placez-vous à l'avant du fauteuil roulant.
4. Poussez sur les deux tubes de l'assise vers le bas jusqu'à ce qu'ils soient fixés à leur place.

2.4 Placer ou enlever le repose-pied



L'installation de repose-pied se fait de la manière suivante :

1. Mettez le repose-pied latéralement vers l'extérieur du cadre et montez le repose-pied avec l'embout ① dans le cadre.
2. Basculez le repose-pied vers l'intérieur jusqu'à ce qu'il se bloque en position.
3. Tournez la palette vers le bas.

Pour retirer le repose-pied :

1. Tirez le levier ② vers le haut.
2. Basculez le repose-pied vers l'extérieur du fauteuil roulant jusqu'à ce qu'il soit libéré du guide.
3. Tirez le repose-pied hors du logement de tube ①.

2.5 Utilisation des freins

- ⚠ **AVERTISSEMENT** : Les freins n'ont pas pour but de ralentir le fauteuil roulant lors de déplacements – Ne les utilisez que pour éviter des mouvements non souhaités.
- ⚠ **AVERTISSEMENT** : Le fonctionnement du freins à mains ont influencé par l'usure et les salissures des pneus (eau, huile, boue...). Vérifiez l'état des pneus avant chaque utilisation.
- ⚠ **AVERTISSEMENT** : Les freins sont réglables et sont sujets à l'usure – Vérifiez leur fonctionnement avant chaque utilisation.
- ⚠ **AVERTISSEMENT** : Risque de pincement - Ne pas tenir le cadre du fauteuil en utilisant les freins.

Pour actionner les freins :

1. Poussez les poignées de freins vers l'avant jusqu'à ce que vous sentiez un clic net.

- ⚠ **ATTENTION** : risque de mouvements non souhaités. Vérifiez que le fauteuil roulant se trouve sur une surface horizontale plane avant de relâcher les freins. Ne désactivez jamais les deux freins en même temps.

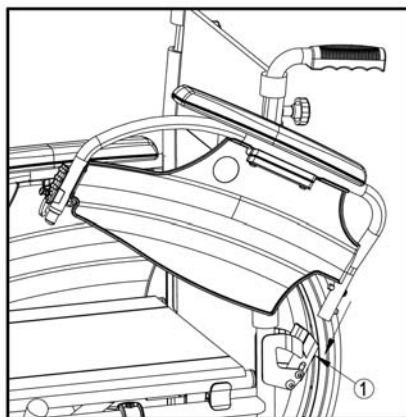
Pour relâcher les freins :

1. Relâchez un frein en tirant la poignée vers l'arrière.
2. Maintenez avec votre main la main-courante de la roue relâchée.
3. Relâchez le deuxième frein en tirant la poignée vers l'arrière.

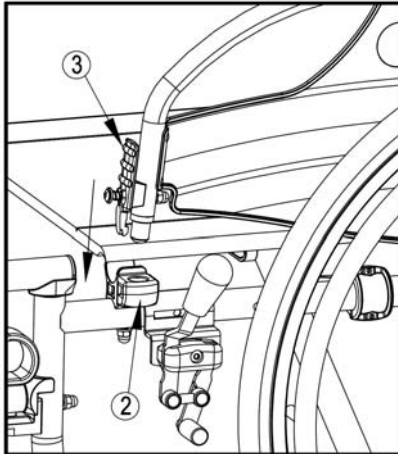
2.6 Placer ou enlever les accoudoirs

Les accoudoirs du fauteuil roulant peuvent être monté en les instructions suivant.

- ⚠ **ATTENTION** : Risque de pincement - Éloignez vos doigts, les ceintures et les vêtements de la partie inférieure de l'accoudoir.
- ⚠ **ATTENTION** : Risque de pincement - Assurez-vous que vos doigts, mains ne ce coinces pas entre les roues arrière et la plaque latéral des accoudoirs.

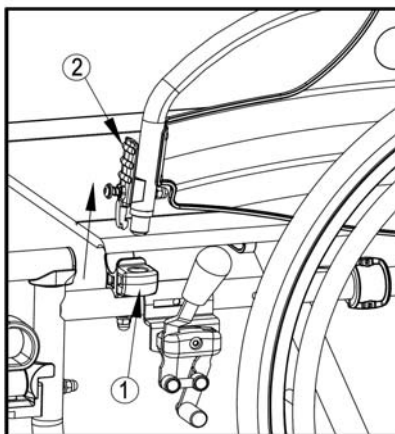


1. Montez le tube arrière de l'accoudoir dans le logement de tube ①.
2. Vérifiez que l'accoudoir se met bien en place dans le mécanisme de verrouillage.
3. Pliez l'accoudoir vers l'avant.



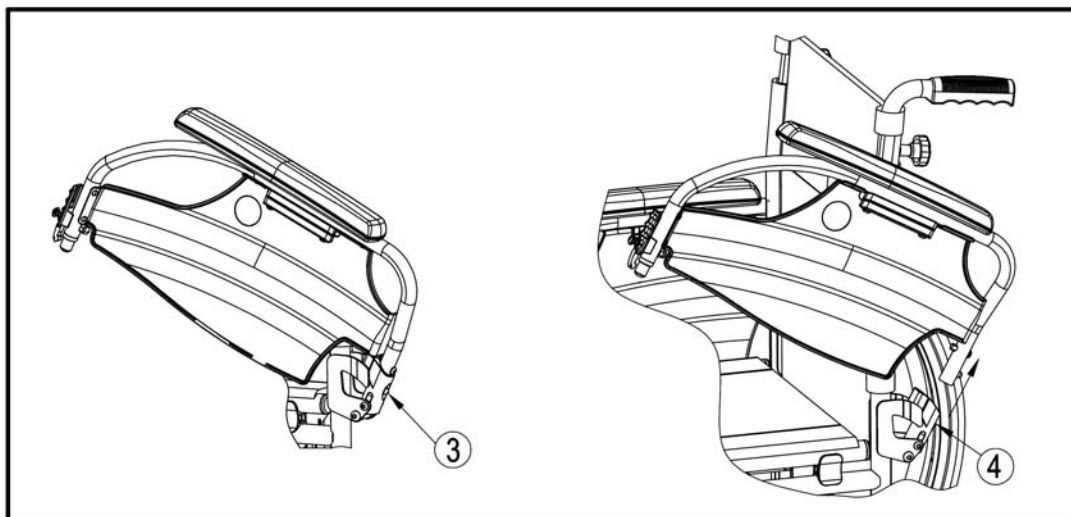
4. Verrouillez le tube avant de l'accoudoir dans le logement de tube ②.

Pour ouvrir et retirer l'accoudoir:



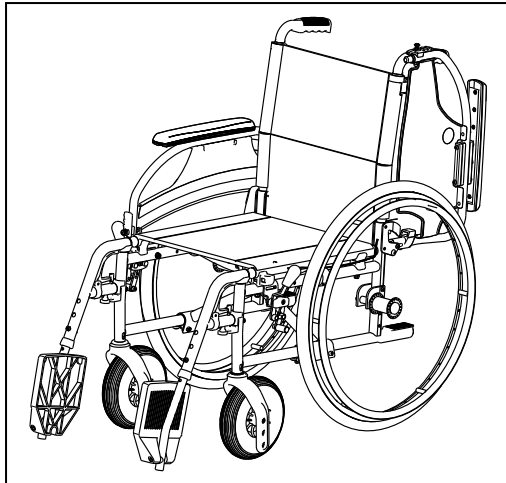
1. Poussez sur le levier ① et tirez l'avant de l'accoudoir vers le haut.
2. Pliez l'accoudoir vers l'avant.

3. Pour retirer l'accoudoir, appuyez sur le bouton ③ et tirez l'arrière du repose-bras hors du logement de tube ④.



2.7 Transfert dans et hors du fauteuil roulant

- ⚠ **ATTENTION** : Si vous ne pouvez pas réaliser le transfert en toute sécurité, demandez à quelqu'un de vous aider.
- ⚠ **ATTENTION** : risque de basculer hors du fauteuil roulant. Ne vous levez pas sur les palettes.



1. Placez le fauteuil roulant aussi près que possible de la chaise, du canapé ou du lit concerné par le transfert.
2. Vérifiez que les deux freins du fauteuil roulant sont actionnés.
3. Pliez les palettes vers le haut pour éviter de prendre appui sur elles.
4. Si le transfert est réalisé sur le côté du fauteuil roulant, rabattez l'accoudoir de ce côté vers le haut (voir § 2.6).
5. Procédez au transfert vers/depus le fauteuil roulant.

2.8 Position correcte du fauteuil roulant

Recommandations pour une utilisation confortable du fauteuil roulant :

- Placez votre dos aussi proche que possible du dossier.
- Assurez-vous que vos cuisses soient horizontales. Réglez la longueur des repose-pieds si nécessaire (voir § 3.5).

2.9 Déplacements avec le fauteuil roulant

- ⚠ **AVERTISSEMENT** : Risque de pincement – Évitez de laisser vos doigts se prendre dans les rayons des roues).
 - ⚠ **AVERTISSEMENT** : Risque de pincement - Évitez que vos doigts, mains ne ce coince pas entre les mains-courant et la roue arrière.
 - ⚠ **AVERTISSEMENT** : Risque de pincement - Soyez prudent lorsque vous franchissez des passages étroits (portes, par exemple).
 - ⚠ **AVERTISSEMENT** : Risque de brûlures - Soyez prudent lorsque vous roulez dans des environnements extrêmement chauds ou froids (soleil, froid extrême, sauna, etc.) pour une durée déterminée et lorsqu'il y a des contacts - Les surfaces peuvent absorber la température ambiante.
1. Relâchez les freins.
 2. Saisissez le haut des deux mains-courantes.
 3. Penchez-vous en avant et poussez les mains-courantes vers l'avant jusqu'à ce que vos bras soient tendus.
 4. Ramenez doucement vos bras vers le haut des mains-courantes et répétez ce mouvement.

2.10 Déplacements en pente

- ⚠ **AVERTISSEMENT** : contrôlez votre vitesse, déplacez-vous sur les pentes aussi lentement que possible.
- ⚠ **AVERTISSEMENT** : Prenez en compte les capacités de votre accompagnateur – Si votre accompagnateur n'a pas la force suffisante pour contrôler le fauteuil roulant, actionnez les freins.
- ⚠ **AVERTISSEMENT** : risque de basculement. Penchez-vous vers l'avant pour déplacer votre centre de gravité vers l'avant. Vous gagnerez ainsi en stabilité.



1. Si le fauteuil roulant est équipé d'une ceinture de sécurité, utilisez-la.
2. N'essayez pas de franchir des pentes trop difficiles. Les angles maximum de la pente (vers le haut et vers le bas) figurent au tableau 1.
3. Demandez à un accompagnateur de vous aider à franchir une pente.
4. Penchez-vous vers l'avant pour déplacer votre centre de gravité vers l'avant.

2.11 Passage de marches ou de bordures de trottoirs

2.11.1 Descente de marches ou de bordures de trottoirs

Il est possible de descendre de petites bordures de trottoirs en avançant. Assurez-vous que les repose-pieds ne touchent pas le sol.



Un utilisateur entraîné peut franchir seul de petites marches ou bordures de trottoirs :

⚠ AVERTISSEMENT : risque de basculement. Si vous n'êtes pas assez expérimenté avec votre fauteuil roulant, demandez de l'aide à quelqu'un.

1. Mettez plus de poids sur les roues arrière pour réduire la pression sur les roues avant.
2. Franchissez les bordures de trottoirs.

Il est possible de franchir des bordures de trottoirs plus hautes avec un assistant :

1. Demandez à l'assistant d'incliner légèrement le fauteuil roulant vers l'arrière.
2. Franchissez les bordures de trottoirs en roulant sur les roues arrière.
3. Reposez le fauteuil roulant sur ses quatre roues.



Un utilisateur entraîné peut franchir seul des bordures de trottoirs plus hautes. Tournez le fauteuil roulant, roues arrière face à la bordure de trottoir.

1. Tournez le fauteuil roulant, roues arrière face à la bordure de trottoir.
2. Penchez-vous vers l'avant pour déplacer votre centre de gravité vers l'avant.
3. Reculez près de la bordure de trottoir.
4. Utilisez la main-courante pour contrôler la descente de la bordure de trottoir.

2.11.2 Montée de marches ou de bordures de trottoirs

Montez des marches ou bordures de trottoirs avec un assistant de la manière suivante :



1. Assurez-vous que les repose-pieds ne touchent pas les bordures de trottoirs.
2. Demandez à l'assistant d'incliner légèrement le fauteuil roulant vers l'arrière, juste assez pour placer les roues avant en haut de la bordure de trottoir.
3. Penchez-vous vers l'arrière et déplacez votre centre de gravité au-dessus de la roue arrière.
4. Placez les roues avant sur la bordure de trottoir.
5. Montez la bordure du trottoir avec les roues arrière du fauteuil roulant.

Franchissez les bordures de trottoirs hautes en marche arrière :

1. Tournez le fauteuil roulant, roues arrière face à la bordure de trottoir.
2. Penchez-vous vers l'arrière et déplacez votre centre de gravité au-dessus de la roue arrière.
3. Demandez à l'assistant de tirer le fauteuil roulant sur la bordure de trottoir.
4. Reprenez votre position normale dans le fauteuil roulant.

Un utilisateur entraîné peut franchir seul des bordures de trottoirs.

⚠ AVERTISSEMENT : risque de basculement. Si vous n'êtes pas assez expérimenté pour contrôler le fauteuil roulant, demandez de l'aide à quelqu'un.



1. Roulez jusqu'aux bordures de trottoirs.
2. Assurez-vous que les repose-pieds ne touchent pas les bordures de trottoirs.
3. Penchez-vous vers l'arrière pour déplacer votre centre de gravité vers les roues arrière.



4. Franchissez la bordure de trottoir avec les roues avant.
5. Penchez-vous vers l'avant pour plus de stabilité.
6. Franchissez la bordure de trottoir avec les roues arrière.

2.11.3 Passage d'escaliers

Le passage d'escaliers en restant sur le fauteuil roulant doit toujours se faire dans le respect des règles suivantes :

⚠ AVERTISSEMENT : Risque de basculement – Passez toujours des escaliers avec 2 accompagnateurs.

1. Retirez les repose-pieds.
2. Un assistant incline légèrement le fauteuil roulant vers l'arrière.
3. Le deuxième assistant attrape l'avant du châssis.
4. Restez calme, évitez les mouvements brusques et gardez les bras à l'intérieur du fauteuil roulant.
5. Passez les marches sur les roues arrière du fauteuil roulant.
6. Remontez les repose-pieds après le passage des escaliers.

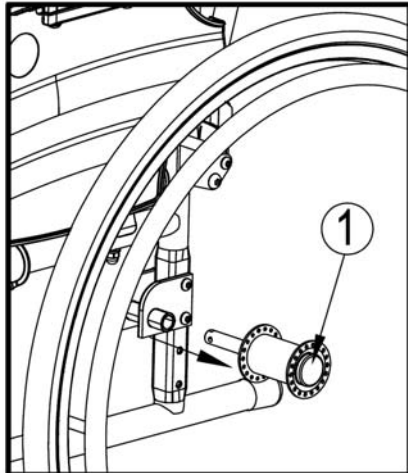
2.12 Pliage du fauteuil roulant

⚠ ATTENTION : Risque de coincement - N'insérez pas les doigts entre les éléments du fauteuil roulant.

1. Pliez ou retirez les repose-pieds (voir § 2.4).
2. Saisissez l'avant et l'arrière du siège et tirez vers le haut.

2.13 Retrait des roues

Les roues arrière peuvent être retirées pour faciliter le transport du fauteuil roulant :



1. Vérifiez que les freins ne sont pas actionnés.
2. Prenez le fauteuil roulant sur le côté du châssis où vous souhaitez retirer la roue.
3. Appuyez sur le bouton ① au centre du moyeu.
4. Tirez la roue hors du châssis.

2.14 Transport en voiture

⚠ AVERTISSEMENT : Risque de blessure – Vérifiez que le fauteuil roulant est bien fixé. Vous évitez ainsi des blessures des passagers en cas de collision ou de freinage brutal.

⚠ AVERTISSEMENT : Risque de blessure. N'utilisez JAMAIS la même ceinture pour le fauteuil roulant et le passager.

Pour transporter le fauteuil roulant dans la voiture, respectez les étapes suivantes :

1. Retirez les repose-pieds et les accessoires.
2. Stockez-les en toute sécurité.
3. Si possible, pliez le fauteuil roulant et retirez les roues.
4. Placez le fauteuil roulant dans le compartiment à bagages.
5. Si le fauteuil roulant n'est PAS séparé de l'habitacle, fixez correctement le châssis du fauteuil roulant au véhicule. Vous pouvez utiliser les ceintures de sécurité disponibles dans le véhicule.

2.15 Utilisation du fauteuil roulant comme siège dans un véhicule

⚠ AVERTISSEMENT: Risque de lésion - Le fauteuil roulant peut être utilisé en tant que siège dans un véhicule uniquement si les poignées sont réglées à la position la plus basse. Dans tous les autres cas le fauteuil ne peut pas être utilisé comme siège de véhicule.

⚠ AVERTISSEMENT : Le fauteuil roulant a passé le crash test ISO 7176-19 : 2008, et donc a été conçu et testé uniquement pour une utilisation en tant que passager du véhicule.

⚠ AVERTISSEMENT : La ceinture pelvienne seule n'est pas adaptée pour être utilisée comme ceinture de sécurité pour tout autre passager.

Le fauteuil est testé avec 4 points d'attache et une ceinture 3 points.

Dès que possible, utilisez le siège du véhicule et emportez votre fauteuil dans le coffre.

Étapes pour fixer le fauteuil dans un véhicule:

1. Vérifiez que le véhicule est équipé d'un système d'accroches pour fauteuils roulant, ISO 10542.
2. Vérifiez que les systèmes d'accroche sont en bon état de fonctionnement (Ne pas utiliser si les points d'accroches sont endommagés).
3. Si le fauteuil a une assise ou un dossier réglable, faites en sorte que l'utilisateur soit le plus droit possible dans son fauteuil. Si l'état de santé de l'utilisateur empêche ceci, une évaluation des risques est nécessaire pour évaluer la sécurité de l'utilisateur pendant le transport.
4. Retirez du fauteuil les accessoires tels que tablette, équipement respiratoire et sécurisez les pour le transport.
5. Dans la voiture, positionnez le fauteuil roulant face à la route et centré entre les points d'accroche.
6. Assurez vous qu'il n'y ait aucune partie ou objet du véhicule autour de l'utilisateur qui pourraient le blesser. Ces parties à sécuriser correspondent aux zones grises sur le schéma.

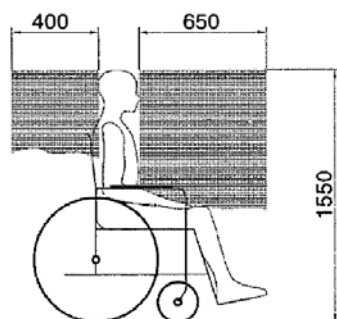


figure 1

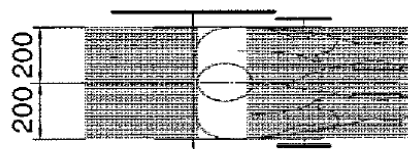


figure 2

7. Fixez les sangles avant de sécurité comme indiqué par le fabricant (figure 3).
Les points d'accroches sont indiqués sur le fauteuil roulant par un symbole (figure 4).
8. Reculez le fauteuil de façon à ce que les sangles avant soient tendues.
9. Actionnez les freins du fauteuil roulant.
10. Fixez les sangles arrière de sécurité comme indiqué par le fabricant (figure 3).
Les points d'accroches sont indiqués sur le fauteuil roulant par un symbole (figure 4).

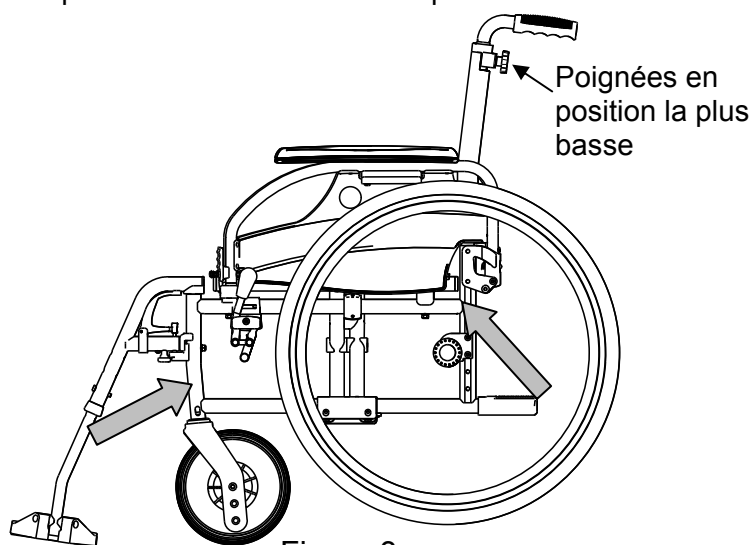


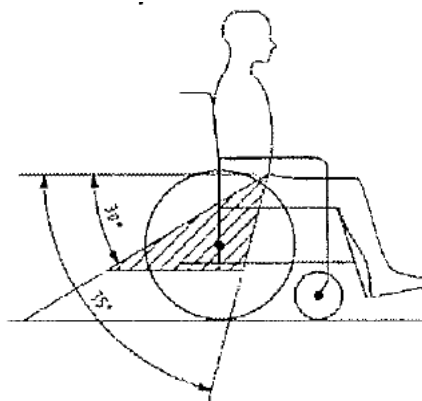
Figure 3



figure 4

Étapes pour sécuriser l'utilisateur du fauteuil roulant.

1. Retirez les deux accoudoirs.
2. Si le fauteuil a une ceinture de sécurité, bouclez la.
3. Attachez l'utilisateur du fauteuil comme indiqué par le fabricant des sangles de sécurité.
4. Portez la ceinture de sécurité du bassin de façon à ce qu'elle soit positionnée comme sur le dessin ci-dessous, dans une zone de 30 à 75° par rapport à l'horizontal.



5. Pour le confort du patient, préférez le plus grand angle de la zone hachurée (préférez l'angle de 75° à l'angle des 30°).
6. Ajustez la ceinture de sécurité comme indiqué par le fabricant pour que celle-ci soit tendue tout en gardant le confort de l'utilisateur.
7. Assurez vous que les ceintures soient correctement fixées sans être pliées ou torsadées.
8. Vous pouvez installer à nouveau les accoudoirs si cela est nécessaire. Assurez vous que les ceintures ne sont pas coincées pas certaines parties du fauteuil comme les accoudoirs, les roues, etc.



Les ceintures ne doivent pas être éloignées du corps par les parties comme les accoudoirs ou les roues

La ceinture pelvienne doit avoir un contact parfait avec le devant du corps de l'utilisateur.



3 Installation et réglage

Les instructions de ce chapitre sont destinées au distributeur.

Le Vermeiren D100 a été conçu pour un réglage avec un minimum de pièces de rechange. Il n'est pas nécessaire de stocker des pièces de rechange.

Pour trouver un service d'entretien ou un revendeur spécialisé près de chez vous, contactez l'établissement Vermeiren le plus proche. Vous trouverez une liste des établissements sur la dernière page.

- ⚠ **AVERTISSEMENT** : Risque de réglages dangereux - N'utilisez que les réglages décrits dans ce manuel.
- ⚠ **AVERTISSEMENT** : Une variation des réglages autorisés peut avoir une incidence sur la stabilité de votre fauteuil roulant (inclinaison en arrière ou latérale).

3.1 Outils

Les outils suivants sont requis pour le montage du fauteuil roulant.

- Jeu de clés de 7 à 22
- Jeu de clés Allen de 3 à 8
- Tournevis n° 4 et n° 5
- Tournevis à tête Phillips

3.2 Mode de livraison

Le Vermeiren D100 est livré de la manière suivante :

- 1 structure avec des accoudoirs, des roues avant et arrière (hauteur d'assise à 500 mm)
- 1 paire de repose-pieds
- Outils
- Mode d'emploi
- Accessoires

3.3 Réglage de la hauteur d'assise

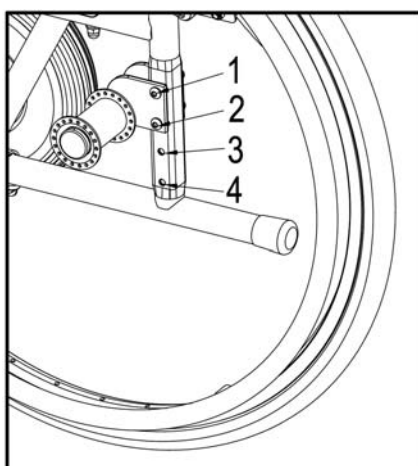
Le Vermeiren D100 peut être réglé sur 3 hauteurs d'assise en modifiant la position des roues. Pour chaque hauteur, il y a un autre réglage des roues avant et des roues arrière.

⚠ AVERTISSEMENT : le trou supérieur de la plaque d'essieu n'est pas destiné au montage de l'essieu arrière, mais au montage du frein à tambour.

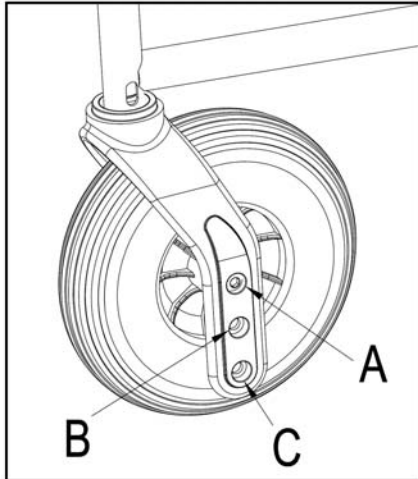
Hauteur d'assise	Roues arrières	Roues avant
470 mm	Trou 1 et Trou 2	Trou A
500 mm (Standard)	Trou 2 et Trou 3	Trou B
530 mm	Trou 3 et Trou 4	Trou C

Tableau 2 : Hauteurs d'assise

Procédez comme indiqué ci-dessous pour modifier la hauteur du siège :



1. Retirez les roues arrière (voir § 2.13).
2. Enlevez les vis de la plaque.
3. Assemblez la plaque dans le trou approprié du cadre latéral, voir tableau 2.
4. Vérifiez la fixation des douilles de l'essieu.

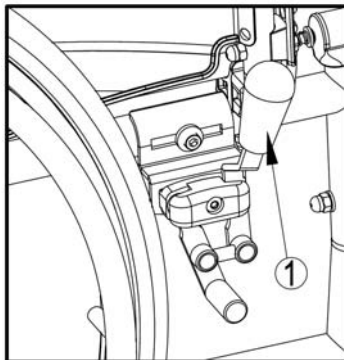


5. Enlevez la vis de la fourche avant et des roues.
6. Placez-les comme indiqué dans le tableau 2.
7. Installez les roues avant et serrez-les. Contrôlez qui doit tourner facilement, mais sans jeu.
8. Montez les roues arrière.
9. Si elles sont installées correctement, la fourche des roues avant doivent être perpendiculaires au sol. Contrôlez cela.
10. Réglez les freins d'après § 3.4.

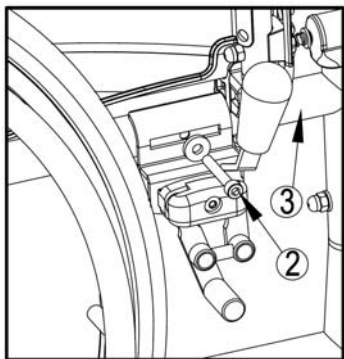
3.4 Réglages des freins

⚠ AVERTISSEMENT : Danger de lésion - Faites régler les freins par un commerçant spécialisé et agréé.

Vous devez régler les freins de la manière suivante :



1. Montez les roues comme cela est décrit au § 2.2.
2. Détachez les freins en tirant le levier ① vers l'arrière.

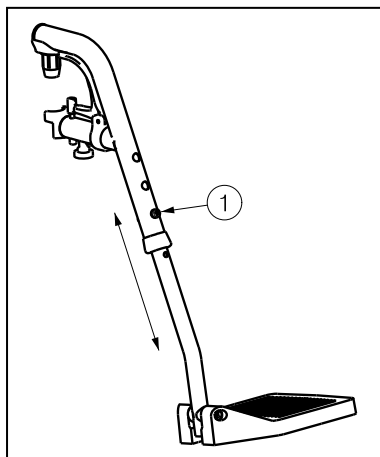


3. Desserrez le boulon ② pour que le mécanisme de freinage glisse sur le tube ③.
4. Glissez le mécanisme de freinage sur le conduit ③ jusqu'à la position souhaitée.
5. Resserrez le boulon ②.
6. Contrôlez le fonctionnement des freins.
7. Si nécessaire, répétez les étapes mentionnées ci-dessus jusqu'au réglage correct des freins.

3.5 Réglage du repose-pied

3.5.1 Longueur du repose-pied

⚠ ATTENTION : Risque de dommage, évitez tout contact entre les repose-pieds et le sol. Conservez une distance minimale de 60 mm au-dessus du sol.



Réglez la longueur de repose-pied de la manière suivante (3 positions possibles : étape de 35 mm → trous sur le conduit extérieur, 6 positions possibles : étape de 25 mm → conduit extérieur):

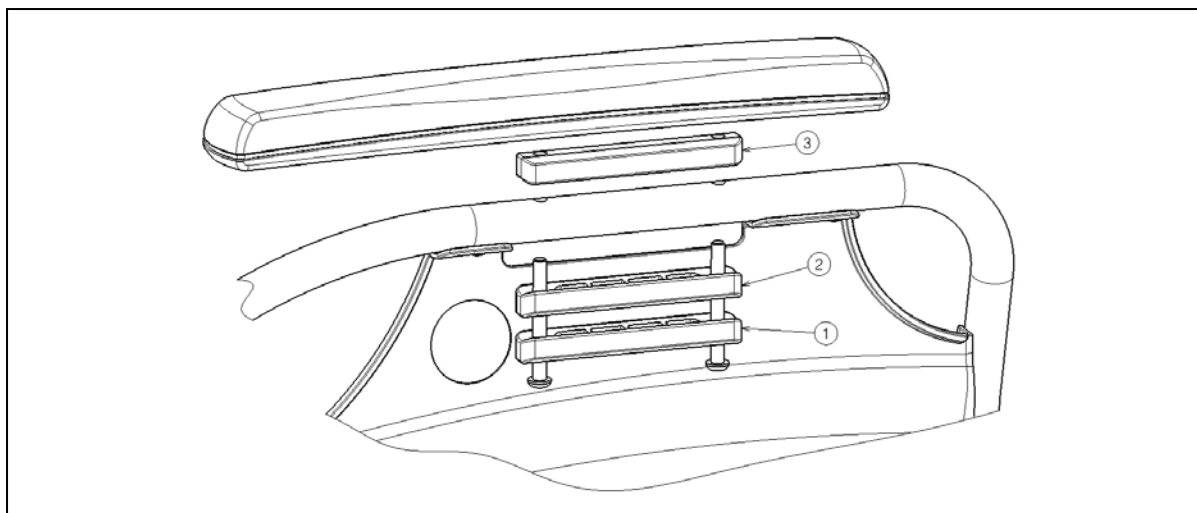
1. Enlevez la vis ①.
2. Réglez le repose-pieds sur une longueur confortable.
3. Serrez à nouveau bien la vis ①.

3.6 Réglage des manchettes

Les manchettes du fauteuil roulant peut être réglé en hauteur et en profondeur. La largeur des manchettes peut être réglée sur 3 positions.

Hauteur des manchettes par rapport au siège	Nombre de blocs sous le tube	Nombre de blocs entre letube et les manchettes
220 mm (Standard)	2	1
230 mm	1	2
240 mm	0	3

Tableau 3 : Hauteur des manchettes



La profondeur de manchette peut être réglée sur 3 positions.

Profondeur de la manchette	Trous utilisés
Position avant	Arrière et milieu
Position centrale (standard)	Trou 2 et 4
Position arrière	Avant et milieu

Tableau 4 : Profondeur de la manchette

Régalez la hauteur et la profondeur de la manchette de la manière suivante :

1. Retirez les deux vis sous la manchette.
2. Placez le bon nombre de blocs sous et au-dessus des tubes, voir le tableau 3.
3. Installez la manchette avec les trous requis pour le réglage de la profondeur.

4 Maintenance

Le mode d'emploi des fauteuils roulants manuels se trouve sur le site Internet de Vermeiren, www.vermeiren.be.

INHOUDSOPGAVE

Voorwoord.....	2
1 Productomschrijving.....	3
1.1 Toepassingsgebied.....	3
1.2 Technische specificaties	4
1.3 Componenten	5
1.4 Accessoires.....	5
1.5 Locatie identificatieplaat	5
1.6 Gebruikte symbolen	6
1.7 Voor Uw veiligheid	6
2 Gebruik.....	6
2.1 Dragen van de rolstoel.....	7
2.2 Plaatsen van de achterwielen.....	7
2.3 Ontvouwen van de rolstoel.....	7
2.4 Plaatsen of verwijderen van de voetsteun	7
2.5 Bedienen van de remmen	8
2.6 Plaatsen of verwijderen van de armsteunen	8
2.7 Transfer in en uit de rolstoel.....	10
2.8 Correcte positie in de rolstoel.....	10
2.9 Rijden met de rolstoel	10
2.10 Rijden op hellingen	10
2.11 Nemen van hindernissen (trottoirs).....	11
2.12 Opvouwen van de rolstoel.....	12
2.13 Verwijderen van de wielen	13
2.14 Transport in de auto.....	13
2.15 Gebruik van de rolstoel als zit in een motorvoertuig	13
3 Montage en instellingen.....	15
3.1 Gereedschap	16
3.2 Leveringsomvang	16
3.3 Zithoogte instellen.....	16
3.4 Afstellen van de remmen.....	17
3.5 Instellen van de voetsteun	18
3.6 Instellen van de armlegger	18
4 Onderhoud	19
5 Clusteromschrijvingen	19

Voorwoord

We willen U danken voor het vertrouwen dat U in onze producten stelt.

De rolstoelen van Vermeiren zijn het resultaat van jarenlange studies en ervaringen. Bij de ontwikkeling werd veel aandacht besteed aan een eenvoudige bediening en een gemakkelijk onderhoud.

De verwachte levensduur van 8 jaar van Uw rolstoel hangt in sterke mate af van de zorg waarmee U de rolstoel behandelt.

Deze handleiding maakt U vertrouwd met de bediening van Uw rolstoel.

Het naleven van de gebruiks- en onderhoudsinstructies vormen een essentieel onderdeel van de garantiebepalingen.

Deze handleiding houdt rekening met de recentste productontwikkelingen. De Firma Vermeiren behoudt zich echter het recht voor om wijzigingen door te voeren zonder verplicht te zijn voordien geleverde modellen aan te passen of te vervangen.

Als U nog vragen hebt, neemt U best contact op met Uw vakhandelaar.

1 Productomschrijving

1.1 Toepassingsgebied

De rolstoel is bedoeld voor mensen die moeilijk of niet kunnen lopen.

De rolstoel is ontworpen voor het transport van 1 persoon.

De rolstoel kan zowel binnenshuis als buiten gebruikt worden.

De gebruiker kan de rolstoel zelf voortbewegen of laten duwen door een begeleider.

De verschillende soorten onderdelen en accessoires, en de modulaire constructie, zorgen ervoor dat de rolstoel ten volle kan worden gebruikt door mensen die invalide zijn omwille van:

- Verlamming
- Verlies van ledematen (beenamputatie)
- Defect of aandoeningen van ledematen
- Contracturen of gewrichtsaandoeningen
- Hart- en bloedsomloopinsufficiëntie
- Evenwichtsstoornissen
- Cachexie (afname van het spierweefsel)
- en geriatrische personen

Hou bij de individuele verzorging rekening met:

- grootte en lichaamsgewicht (max. 130 kg)
- fysieke en psychologische gesteldheid
- woonomgeving
- milieu

Uw rolstoel mag alleen gebruikt worden op ondergronden waarbij alle vier de wielen de grond raken en waarbij het bodemcontact voldoende is voor een gelijkmatige aandrijving van alle wielen.

Extra oefening is nodig voor het rijden op ongelijkmatige ondergrond (kasseien, etc.), hellingen en bochten (zijdelings omvallen), evenals het nemen van hindernissen (bvb. Trottoirranden).

De rolstoel dient niet als klimtoestel of om hete of zware voorwerpen te transporteren.

Het gebruik van de rolstoel op tapijten, tapijtvloeren of andere losse vloerbedekkingen kan slijtage van de vloerbedekking tot gevolg hebben.

Gebruik enkel door Vermeiren goedgekeurde accessoires.

Vermeiren is niet aansprakelijk voor schade door gebrekkig of onvoldoende onderhoud of als gevolg van het niet naleven van instructies van deze handleiding.

Het naleven van de gebruiks- en onderhoudsinstructies vormen een essentieel onderdeel van de garantiebepalingen.

1.2 Technische specificaties

Onderstaande technische gegevens zijn geldig voor de rolstoel in standaard instellingen. Wanneer er andere voetsteunen / armsteunen of andere accessoires worden gebruikt, worden de opgegeven waarden gewijzigd.

Merk	Vermeiren							
Adres	Vermeirenplein 1/15, B-2920 Kalmthout							
Type	Manuele rolstoel							
Model	D100							
Maximale massa gebruiker	130 kg							
Beschrijving	Afmetingen							
Effectieve zitbreedte	380 mm	400 mm	420 mm	440 mm	460 mm	480 mm	500 mm	520 mm
Totale breedte (afhankelijk van de zitbreedte)	580 mm	600 mm	620 mm	640 mm	660 mm	680 mm	700 mm	720 mm
Beschrijving	Afmetingen min.				Afmetingen max.			
Totale lengte inclusief voetsteun	1010 mm							
Lengte dichtgevouwen	1010 mm							
Breedte dichtgevouwen	300 mm							
Hoogte dichtgevouwen	880 mm				940 mm			
Totaal gewicht	18 kg							
Gewicht zwaarste onderdeel	10,5 kg							
Statische stabiliteit bergaf	16° (in standaard configuratie)							
Statische stabiliteit bergop	12° (in standaard configuratie)							
Statische stabiliteit zijwaarts	20° (in standaard configuratie)							
Maximale veilige helling	12°							
Maximum hoogte hindernis	60 mm							
Zithoek	5°							
Effectieve zitdiepte	430 mm							
Zithoogte aan voorzijde	470 mm				530 mm			
Rughoek	5°							
Rughoogte	420 mm							
Afstand tussen zit en voetsteun	385 mm				455 mm			
Hoek tussen zit en voetsteun	8°							
Afstand tussen armsteun en zit	220 mm				240 mm			
Afstand voorzijde armlegger	410 mm							
Diameter aandrijfhoepel	535 mm							
Horizontale afstand van de as (uitwijking)	37 mm							
Minimale draaicirkel	1500 mm							
Diameter PU achterwielen	22"				24"			
Diameter PU stuurwielen	200 mm							
Opslag en gebruikstemperatuur	+ 5 °C				+ 41 °C			
Opslag en gebruiksluchtvochtigheid	30%				70%			
We behouden ons het recht voor om technische wijzigingen te introduceren. Meettolerantie ± 15 mm / 1,5 kg / °								

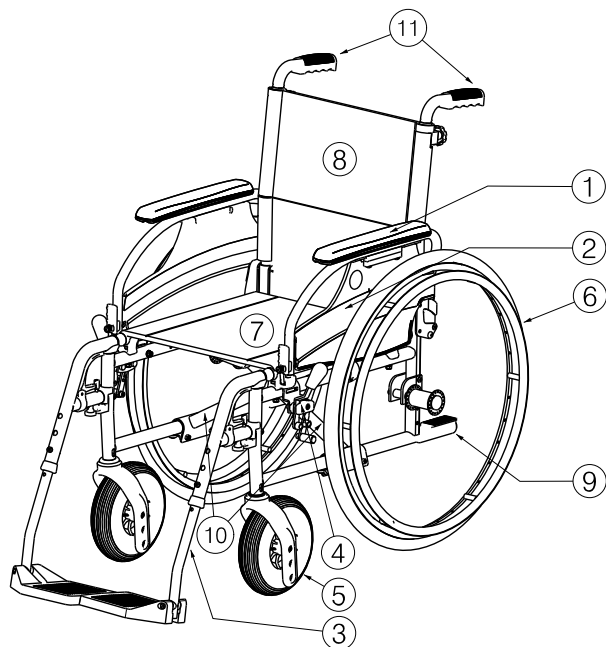
Tabel 1: Technische specificaties

De rolstoel voldoet aan de eisen gesteld in:

ISO 7176-8: Eisen en beproevingsmethoden voor statische, bots en vermoeiingsproeven.

ISO 7176-16: Weerstand tegen ontbranding van gestoffeerde onderdelen.

1.3 Componenten



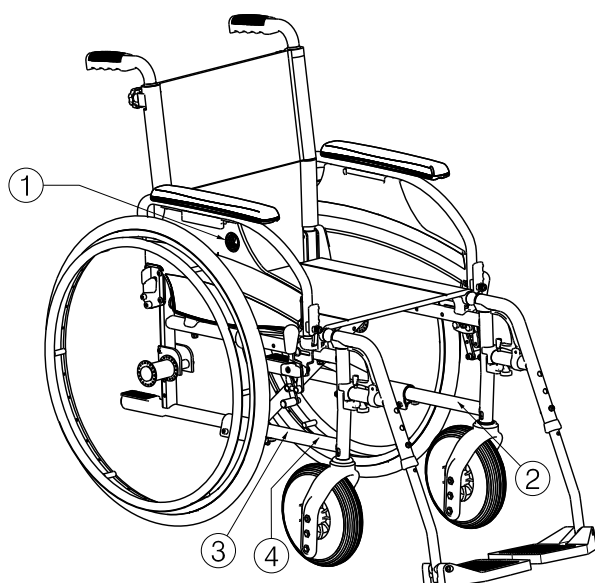
- 1 = Armleggers
- 2 = Armsteunen
- 3 = Voetsteunen
- 4 = Remmen
- 5 = Stuurwielen (voorwielen)
- 6 = Aandrijfwielen (achterwielen)
- 7 = Zit
- 8 = Rug
- 9 = Trapdop
- 10 = Kruis
- 11 = Handvaten

1.4 Accessoires

Volgende accessoires zijn beschikbaar voor de D100:

- Anterior bekkengordel (B20) om te bevestigen aan de buizen van de rug (zie volgens handleiding)
- Anti-tipping apparaat (B78) om te bevestigen aan het onderste frame (zie volgens handleiding)

1.5 Locatie identificatieplaat



- 1 = Logo Vermeiren
- 2 = Identificatieplaat
- 3 = Naam Vermeiren
- 4 = Taxi haken

1.6 Gebruikte symbolen



Maximum gewicht



Gebruik voor binnen en buiten



Maximale veilige helling



CE conformiteit



Type aanduiding

1.7 Voor Uw veiligheid

- ⚠ Let erop dat bij het gebruik van de aandrijfwielen geen voorwerpen en/of lichaamsdelen tussen de spaken terechtkomen. Dit kan immers letsel en/of schade aan de rolstoel veroorzaken.
- ⚠ Voor het in- en uitstappen in de rolstoel dient U de handremmen vast te zetten.
- ⚠ Gebruik de voetplaten nooit om in en uit de rolstoel te stappen. Deze dienen naar boven te worden geklapt of de volledige voetsteunen dienen naar buiten te zijn weggedraaid.
- ⚠ Onderzoek het effect van een veranderd zwaartepunt op het gedrag van de rolstoel (bijv. op hellingen, op zijdelingse hellingen of bij het overwinnen van hindernissen). Maak gebruik van de hulp van een begeleider.
- ⚠ Let op bij het nemen van voorwerpen (die zich voor, opzij of achter de rolstoel bevinden) dat U niet te ver uit de rolstoel leunt. Anders kan de rolstoel kantelen.
- ⚠ Bij het rijden door deuren, openingen e.d. moet aan de zijkant voldoende plaats zijn, anders bestaat er gevaar op letsel aan handen en armen en op beschadiging van de rolstoel.
- ⚠ Gebruik Uw rolstoel alleen voor de beschreven doeleinden. Vermijd bijv. om zonder remmen tegen een hindernis te rijden (stoeprand, stootsteen) of van treden te springen. De fabrikant is niet aansprakelijk voor schade als gevolg van overbelasting of botsingen bij het gebruik dat niet in overeenstemming is met het doel van het product.
- ⚠ Trappen mogen alleen met behulp van een begeleider worden genomen. Wanneer er bijv. hellingen of liften beschikbaar zijn, dient U deze te gebruiken.
- ⚠ Bij gebruik van de openbare weg dient U zich te houden aan de verkeersregels.
- ⚠ Net zoals voor andere voertuigen geldt dat U de rolstoel niet mag gebruiken onder invloed van alcohol of geneesmiddelen. Dit geldt ook voor verplaatsingen binnenshuis.
- ⚠ Pas Uw rijstijl bij ritten buiten de woning aan, aan het weer en het verkeer.
- ⚠ Zorg ervoor dat U in het donker goed zichtbaar bent. Draag lichte kleding of kleding met reflectoren en zorg ervoor dat de reflectoren opzij en achteraan de rolstoel goed zichtbaar zijn.
- ⚠ Let erop dat de maximale belasting (130 kg) niet wordt overschreden.

2 Gebruik

Dit hoofdstuk beschrijft het normaal gebruik. **Deze instructies zijn van toepassing voor de gebruiker en de vakhandelaar.**

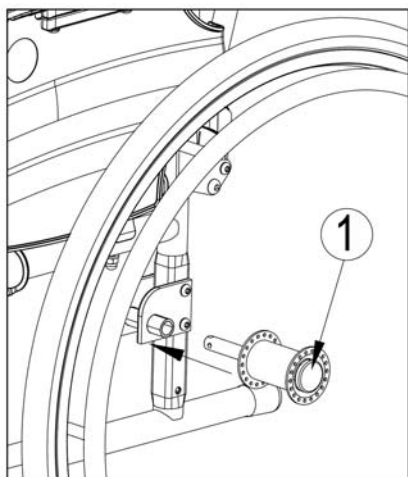
De rolstoel wordt gemonteerd en ingesteld door Uw vakhandelaar. De instructies voor de montage en instellingen van de rolstoel staan in § 3.

2.1 Dragen van de rolstoel

De beste manier om de rolstoel te dragen is om gebruik te maken van de wielen en zo de rolstoel verder te rollen.

Als dit niet mogelijk is (bv. wanneer de achterwielen verwijderd zijn voor het transporteren in de auto), grijp de rolstoel stevig vast aan de voorzijde van het frame en de handgrepen. Gebruik de voet-, armsteunen of de wielen niet om de rolstoel vast te nemen.

2.2 Plaatsen van de achterwielen



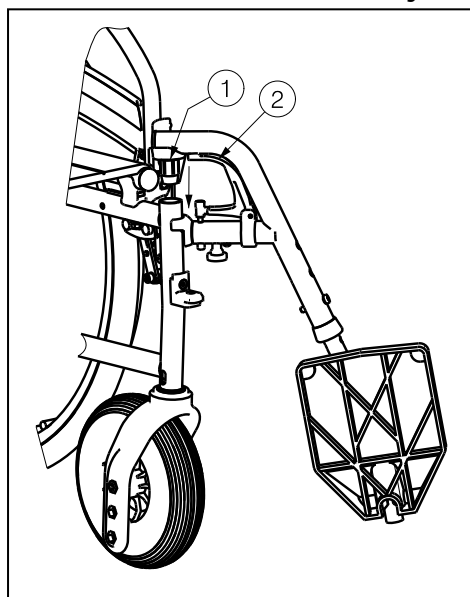
1. Neem het achterwiel en druk naafknop ① in.
2. Houd de naafknop ingedrukt en plaats het achterwiel in de asbus tot deze niet meer verder kan.
3. Laat de naafknop los.
4. Kijk na of de wielen goed vastzitten.

2.3 Ontvouwen van de rolstoel

⚠ VOORZICHTIG: Kans op klemmen - Houd Uw vingers weg van de bewegende onderdelen van de rolstoel.

1. Ga aan de achterzijde van de rolstoel staan.
2. Gebruik de handgrepen om de rolstoel zo ver mogelijk te openen.
3. Ga aan de voorzijde van de rolstoel staan.
4. Duw beide buizen waaraan de zit bevestigd is verder naar beneden.

2.4 Plaatsen of verwijderen van de voetsteun



Het plaatsen van de voetsteun gaat als volgt:

1. Houd de voetsteun zijdelings aan de buitenkant van het frame van de rolstoel en monteer de voetsteun met de dop ① in het frame.
2. Zwenk de voetsteun naar binnen tot deze vastklikt.
3. Draai de voetplaat naar beneden.

Om de voetsteun te verwijderen gaat U als volgt te werk:

1. Trek hendel ② omhoog.
2. Draai de voetsteun naar buiten tot deze uit de geleiding komt.
3. Trek de voetsteun omhoog uit dop ①.

2.5 Bedienen van de remmen

- ⚠ **WAARSCHUWING:** De remmen dienen niet om af te remmen tijdens het rijden - Gebruik de rem enkel om te vermijden dat de rolstoel in stilstaande positie wegrolt.
- ⚠ **WAARSCHUWING:** De werking van de handremmen worden beïnvloed door slijtage en vervuiling van de banden (water, olie, slijk, ...) – Controleer voor elk gebruik de staat van de banden.
- ⚠ **WAARSCHUWING:** De remmen zijn instelbaar en kunnen verouderen – Controleer voor elk gebruik de goede werking van de remmen.
- ⚠ **WAARSCHUWING:** Kans op klemmen - Houd het kader van de rolstoel niet met Uw handen of vingers vast bij het vastzetten, los maken van de remmen.

Om de remmen in te schakelen:

1. Druk de hendels van de remmen naar voren tot U een duidelijke klik voelt.

- ⚠ **VOORZICHTIG:** Gevaar op ongecontroleerde bewegingen - Zorg ervoor dat alvorens de remmen los te zetten, de rolstoel vlak staat. Los nooit beide remmen tegelijk.

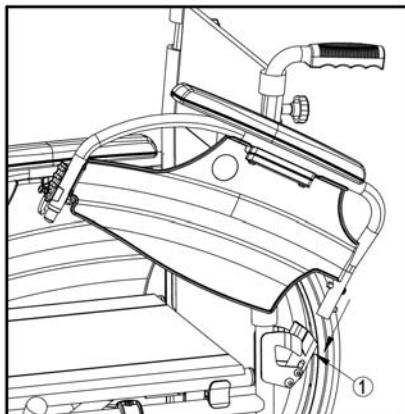
Om de remmen uit te schakelen:

1. Zet eerst één rem los door de hendel naar achteren te trekken.
2. Houd het ongeremde wiel, met Uw hand, vast aan de grijphoepel.
3. Los de andere rem door de hendel naar achteren te trekken.

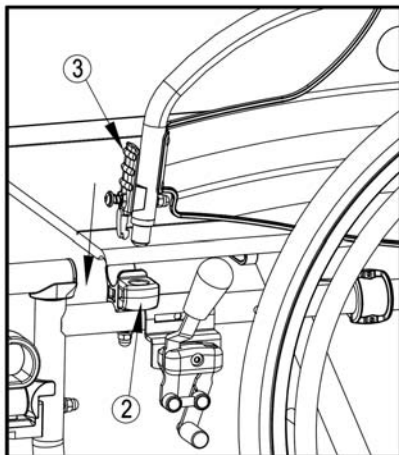
2.6 Plaatsen of verwijderen van de armsteunen

De armsteunen van de rolstoel kunnen worden gemonteerd met volgende instructies:

- ⚠ **VOORZICHTIG:** Kans op klemmen - Houd Uw vingers, gespen en kledij uit de buurt van de onderzijde van de armsteun.
- ⚠ **VOORZICHTIG:** Kans op klemmen – Zorg ervoor dat Uw vingers, handen niet geklemd raken tussen de achterwielen en de zijplaat van de armsteunen.

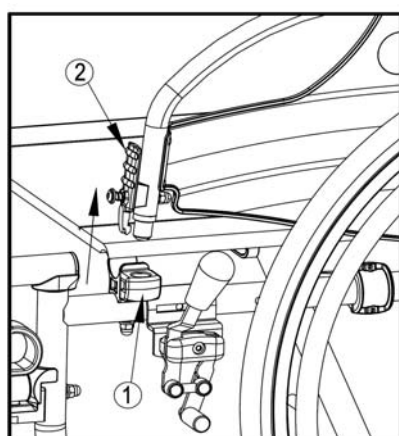


1. Plaats de achterzijde van de armsteun in de houder ①.
2. Zorg ervoor dat de armsteun vastklikt in het vergrendelsysteem.
3. Kantel de armsteun naar voren.



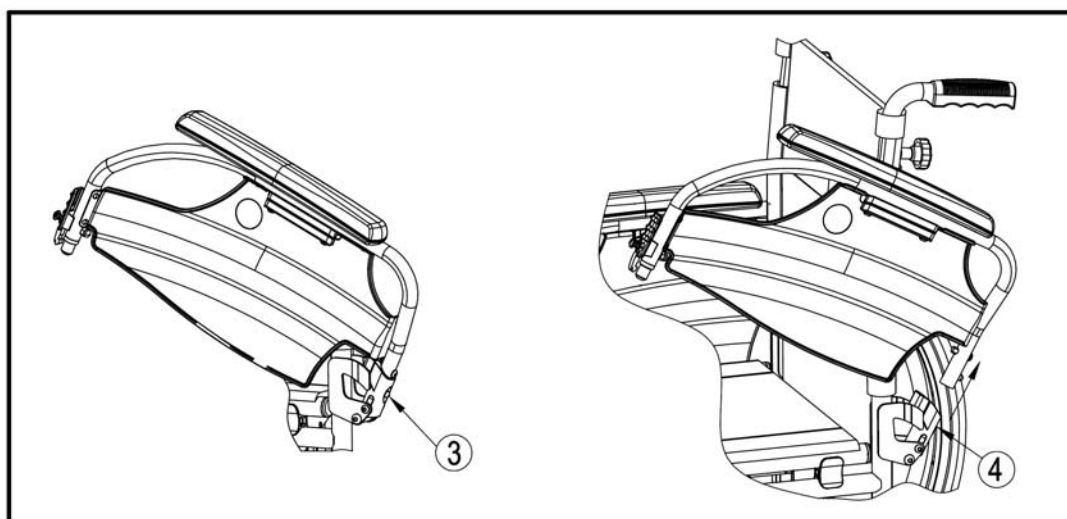
4. Plaats de voorzijde van de armsteun in de houder ② tot deze vastklikt.

Voor het openen en verwijderen van de armsteun gaat U als volgt te werk:



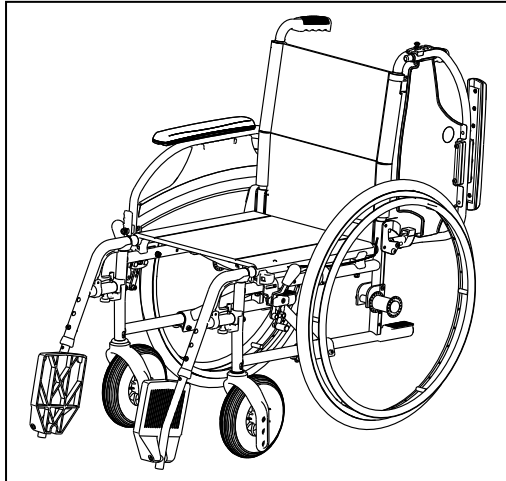
1. Druk op de hendel ② en trek de voorzijde van de armsteun omhoog.
2. Kantel de armsteun naar voren.

3. Als U de armsteun wilt verwijderen, druk dan op knop ③ en trek de achterzijde van de armsteun uit dop ④.



2.7 Transfer in en uit de rolstoel

- ⚠ **VOORZICHTIG:** Indien U de transfer niet veilig op eigen kracht kan uitvoeren, vraag dan hulp van iemand anders.
- ⚠ **VOORZICHTIG:** Kans op kantelen van de rolstoel - Ga niet op de voetplaten staan.



1. Plaats de rolstoel zo dicht mogelijk bij de stoel, zetel of bed van/naar waar U zich wilt verplaatsen.
2. Zorg dat beide remmen van de rolstoel aan staan.
3. Vouw de voetplaten naar boven zodat U er niet op gaat staan.
4. Indien U zich langs de zijkant in of uit de rolstoel wilt verplaatsen, klap dan de armsteun aan die zijde omhoog (zie § 2.6).
5. Verplaats U van of naar de rolstoel.

2.8 Correcte positie in de rolstoel

Enkele aanbevelingen om comfortabel van Uw rolstoel gebruik te maken:

- Plaats Uw zitvlak zo dicht mogelijk bij de rug.
- Zorg dat Uw bovenbenen horizontaal zijn – Stel eventueel de lengte van de voetsteunen bij (zie § 3.5).

2.9 Rijden met de rolstoel

- ⚠ **WAARSCHUWING:** Kans op knellen – Houd Uw vingers niet tussen de spaken.
- ⚠ **WAARSCHUWING:** Kans op klemmen – Vermijd dat Uw vingers, handen geklemd raken tussen de aandrijfhoepel en het achterwiel.
- ⚠ **WAARSCHUWING:** Kans op knellen – Let op wanneer U door nauwe doorgangen, zoals deuren, rijdt.
- ⚠ **WAARSCHUWING:** Gevaar voor brandwonden – Wees voorzichtig bij het rijden in extreem warme of koude omgevingen (zon, extreme koude, sauna's, enz.) voor een bepaalde tijd en bij het aanraken - de oppervlakken kunnen de omgevingstemperatuur aannemen.

1. Zet de remmen los.
2. Neem de aandrijfhoepels aan de bovenzijde vast.
3. Leun voorwaarts en draai de hoepels naar voor tot Uw armen gestrekt zijn.
4. Breng Uw handen terug naar de bovenzijde van de hoepels en herhaal de beweging.

2.10 Rijden op hellingen

- ⚠ **WAARSCHUWING:** Houd Uw snelheid onder controle – Neem hellingen steeds met de laagst mogelijke snelheid.
- ⚠ **WAARSCHUWING:** Houd rekening met de capaciteiten van Uw begeleider – Blokkeer de rem van zodra U merkt dat Uw begeleider onvoldoende kracht heeft om de rolstoel onder controle te houden.
- ⚠ **WAARSCHUWING:** Kans op kantelen – Leun voorover om Uw zwaartepunt naar voor te verplaatsen. Zo kan de stabiliteit beter behouden blijven.



1. Bevestig de veiligheidsgordel, als de rolstoel hiermee uitgerust is.
2. Neem geen te steile helling. De maximale hoek bergop en bergaf staan in tabel 1 vermeld.
3. Vraag een begeleider om U te helpen bij het nemen van de helling.
4. Buig lichtjes voorover om Uw zwaartepunt naar voren te verplaatsen.

2.11 Nemen van hindernissen (trottoirs)

2.11.1 Afrijden van trottoirs

Het afrijden van een laag trottoir kan voorwaarts gedaan worden. Let hierbij op dat de voetsteunen de grond niet raken.



Het afrijden van lage trottoirs kan door een geoefend gebruiker zelf gedaan worden:

⚠ WAARSCHUWING: Kantelgevaar - Indien U Uw rolstoel onvoldoende beheerst, vraag hulp van een begeleider.

1. Breng de balans op de achterwielen om de druk op de voorwielen te verminderen.
2. Neem de hindernis.

Hogere trottoirs kunnen met een begeleider voorwaarts genomen worden:

1. Laat de begeleider de rolstoel lichtjes naar achteren kantelen.
2. Rijd op de achterwielen het trottoir af.
3. Zet de rolstoel terug op de vier wielen.



Een geoefend gebruiker kan een hoger trottoir zelf afrijden. Dit kan het best achterwaarts gedaan worden.

1. Draai de rolstoel met de achterwielen naar het trottoir toe.
2. Buig lichtjes voorover om Uw zwaartepunt naar voren te verplaatsen.
3. Breng de rolstoel naar de rand van de hindernis.
4. Gebruik de hoepels om Uw rolstoel gecontroleerd van het trottoir af te rollen.

2.11.2 Oprijden van trottoirs

Trottoirs oprijden kan met de begeleider als volgt:



1. Zorg ervoor dat de voetsteunen het trottoir niet raken.
2. Laat de begeleider de rolstoel lichtjes achterover kantelen tot er voldoende ruimte onder de voorwielen is om de hindernis te nemen.
3. Leun een beetje achterover en breng het zwaartepunt boven de achterwielen.
4. Plaats de voorwielen op het trottoir.
5. Laat de rolstoel op de achterwielen over de hindernis duwen.

Een hoger trottoir kan best achterwaarts genomen worden:

1. Draai de rolstoel met de achterwielen naar het trottoir toe.
2. Leun een beetje achterover en breng het zwaartepunt boven de achterwielen.
3. Laat de begeleider de rolstoel op het trottoir trekken.
4. Neem Uw normale positie in de rolstoel terug aan.

Het oprijden van trottoirs kan door een geoefend gebruiker zelf gedaan worden:

⚠ WAARSCHUWING: Kantelgevaar – Indien U Uw rolstoel onvoldoende beheerst, vraag hulp van een begeleider.



1. Rijd tot aan het trottoir.
2. Zorg ervoor dat de voetsteunen het trottoir niet raken.
3. Leun achterover zodat U op de achterwielen balanceert.



4. Rol al balancerend de voorwielen over het trottoir.
5. Leun voorover om meer stabiliteit te hebben.
6. Rol de achterwielen over de hindernis.

2.11.3 Nemen van trappen

Het nemen van trappen terwijl U in de rolstoel zit doet U als volgt.

⚠ WAARSCHUWING: Kantelgevaar – Voor het nemen van trappen zijn altijd 2 begeleiders nodig.

1. Verwijder de voetsteunen.
2. Laat één begeleider de rolstoel lichtjes naar achteren kantelen.
3. De andere begeleider neemt het frame aan de voorzijde vast.
4. Blijf rustig zitten, vermijd plotselinge bewegingen en houd Uw armen binnen de rolstoel.
5. Laat de rolstoel op de achterwielen de treden nemen.
6. Monteer de voetsteunen na de hindernis.

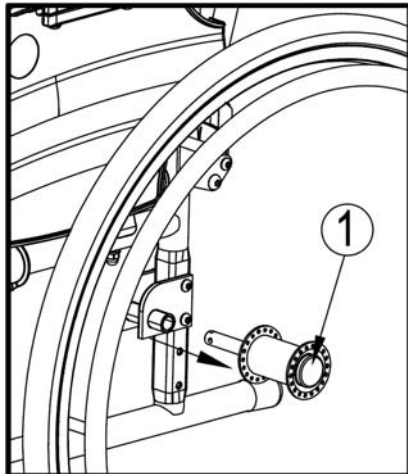
2.12 Opvouwen van de rolstoel

⚠ VOORZICHTIG: Kans op klemmen - Houd Uw vingers niet tussen de onderdelen van de rolstoel.

1. Klap de voetplaten omhoog, of verwijder ze (zie § 2.4).
2. Neem de zit aan de voor- en achterzijde vast en trek deze naar boven.

2.13 Verwijderen van de wielen

Om het transport van de rolstoel te vergemakkelijken, kunnen de achterwielen worden verwijderd:



1. Zorg ervoor dat de remmen afstaan.
2. Neem de rolstoel vast aan het frame aan de zijde waar U het wiel wil afnemen.
3. Druk op de knop ① in het midden van de naaf van het wiel.
4. Trek het wiel van het frame weg.

2.14 Transport in de auto

- ⚠ **WAARSCHUWING:** Gevaar voor letsel – Zorg ervoor dat de rolstoel voldoende vastgemaakt is, om verwonding van de inzittenden tijdens aanrijding of plots remmen te voorkomen.
- ⚠ **WAARSCHUWING:** Gevaar voor letsel – Gebruik voor het vastmaken van de rolstoel en de passagiers **NOOIT** dezelfde gordel.

Om de rolstoel in de auto te transporteren:

1. Verwijder de voetsteunen en accessoires.
2. Berg deze veilig op.
3. Indien mogelijk, vouw de rolstoel op en verwijder de wielen.
4. Plaats de rolstoel in de bagageruimte.
5. Indien de rolstoel en de passagiersruimte **NIET** gescheiden zijn, sjoer het frame van de rolstoel goed vast aan het voertuig. U kunt hiervoor gebruik maken van de veiligheidsgordels die in het voertuig voorhanden zijn.

2.15 Gebruik van de rolstoel als zit in een motorvoertuig

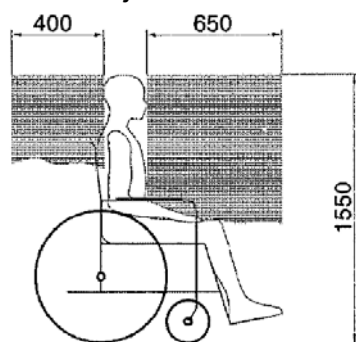
- ⚠ **WAARSCHUWING:** Gevaar voor letsel - De rolstoel mag alleen als een zit in een motorvoertuig gebruikt worden als de hangrepen in de laagste positie gezet zijn. In andere gevallen is het verboden om de rolstoel als een zit in een motorvoertuig te gebruiken.
- ⚠ **WAARSCHUWING:** De rolstoel heeft de crashtest volgens ISO 7176-19: 2008 doorstaan en is zodanig ontworpen en getest om alleen te worden gebruikt als een naar voren gerichte zit in een motorvoertuig.
- ⚠ **WAARSCHUWING:** Gebruik de bekkengordel van de rolstoel niet als riem voor inzittenden, deze is hiervoor niet geschikt.

De rolstoel is getest met een vierpunts rolstoelvastzetsysteem en een driepunts veiligheidssysteem voor inzittenden.

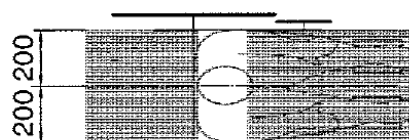
Probeer zoveel mogelijk gebruik te maken van de zetel van het voertuig en de rolstoel te bewaren in de laadruimte.

Procedure om de rolstoel vast te maken aan het voertuig:

1. Controleer of het voertuig is uitgerust met een geschikt rolstoelvastzetsysteem en een veiligheidssysteem voor inzittenden volgens ISO 10542.
2. Controleer dat de onderdelen van het rolstoelvastzetsysteem en het veiligheidssysteem voor inzittenden niet versleten, vervuild, beschadigd of gebroken zijn.
3. Indien uitgerust met een verstelbare zit en/of een kantelbare rug, controleer of de rolstoelgebruiker zo recht mogelijk zit. Als de toestand van de gebruiker dit niet toe laat, moet een risicoanalyse worden uitgevoerd om de veiligheid van de gebruiker tijdens transport te evalueren.
4. Verwijder alle gemonteerde accessoires zoals dienbladen en beademingsapparatuur en zet ze op een veilige plaats.
5. Positioneer de rolstoel naar voren in de rijrichting, centraal tussen de vastzet rails die zijn vastgemaakt in de vloer van het voertuig.
6. Zorg ervoor dat de aangegeven zones rond de rolstoelgebruiker niet in aanraking komt met de stijve onderdelen van het voertuig.

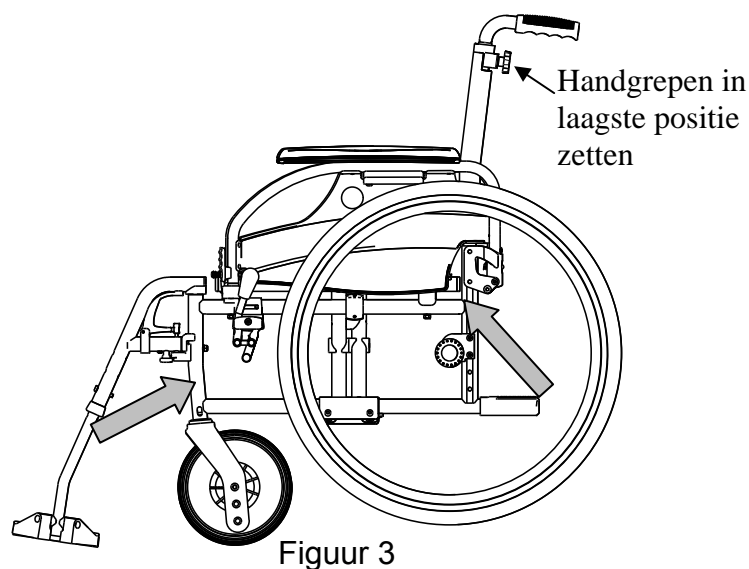


Figuur 1



Figuur 2

7. Maak de voorste veiligheidsgordels vast volgens de instructies van het op de aangegeven plaats riem-systeem van de fabrikant (Figuur 3).
Deze plaats is gemarkeerd op de rolstoel door een symbool (Figuur 4).
8. Rol de rolstoel naar achteren tot de voorste gordels strak zijn.
9. Zet de remmen van de rolstoel aan.
10. Maak de achterste veiligheidsgordels vast volgens de instructies van het op de aangegeven plaats riem-systeem van de fabrikant (Figuur 3).
11. Deze plaats is gemarkeerd op de rolstoel door een symbool (Figuur 4).



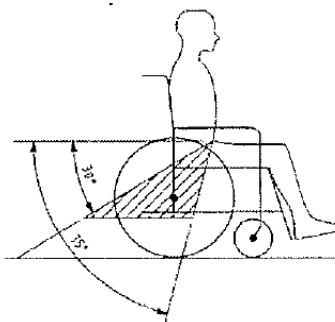
Figuur 3



Figuur 4

Procedure om de rolstoelgebruiker vast te maken:

1. Verwijder beide armsteunen.
2. Indien aanwezig, bevestig de rolstoel bekkengordel.
3. Bevestig het veiligheidssysteem voor inzittenden volgens de instructies van het riem-systeem van de fabrikant.
4. Draag de bekkengordel laag over de voorkant van de bekken, zodat de hoek van de bekkengordel binnen de gewenste zone van 30° tot 75° met de horizontale is, analoog zoals hieronder aangeven.

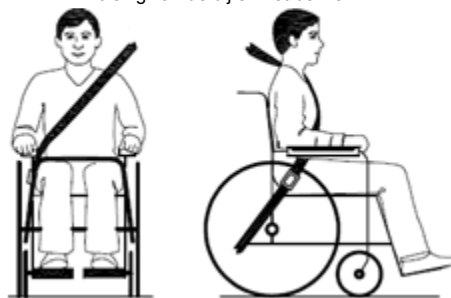


5. Een steilere (grotere) hoek binnen de gewenste zone is wenselijk.
6. Trek de riem strak aan volgens de instructies van het riem-systeem van de fabrikant en in overeenstemming met het comfort van de gebruiker.
7. Zorg ervoor dat de veiligheidsriem verbonden wordt in een rechte lijn aan het ankerpunt van het voertuig en dat er geen bochten in de riem zichtbaar zijn, bijvoorbeeld op de as van het achterwiel.
8. Installeer de arMLEUNINGEN indien gewenst. Zorg ervoor dat de gordels niet gedraaid zijn of weggehouden worden van het lichaam door rolstoel onderdelen zoals armsteunen of wielen.



Gordels mogen niet weggehouden worden van het lichaam door rolstoel onderdelen zoals armsteunen of wielen.

De bekkengordel moet volledig contact maken met de voorkant van het lichaam vlakbij de kruising van de dij en het bekken.



3 Montage en instellingen

De in dit hoofdstuk beschreven instructies zijn bestemd voor de vakhandelaar.

De Vermeiren D100 is speciaal ontworpen om te worden afgesteld met een minimum aan te vervangen onderdelen. Zo is er geen extra voorraad nodig van vervangonderdelen.

Om een servicepunt of vakhandelaar in Uw buurt te vinden, neemt U contact op met de dichtstbijzijnde Vermeiren faciliteit. Een lijst van de Vermeiren faciliteiten zijn terug te vinden op de laatste bladzijde.

- ⚠ **WAARSCHUWING: Risico bij onveilige instellingen - Gebruik enkel de instellingen beschreven in deze handleiding.**
- ⚠ **WAARSCHUWING: Variaties van de toelaatbare instellingen kunnen de stabiliteit van Uw rolstoel beïnvloeden (naar achteren of op zij kantelen).**

3.1 Gereedschap

Om Uw rolstoel op te bouwen is het volgende gereedschap nodig:

- Steek-/ringsleutel set n° 7 tot n° 22
- Inbussleutel set n° 3 tot n° 8
- Schroevendraaier n° 4 tot n° 5
- Kruiskopschroevendraaier

3.2 Leveringsomvang

De Vermeiren D100 wordt als volgt geleverd:

- 1 frame met armsteunen, achter- en voorwielen (zithoogte van 500 mm)
- 1 paar voetsteunen
- Gereedschap
- Handleiding
- Accessoires

3.3 Zithoogte instellen

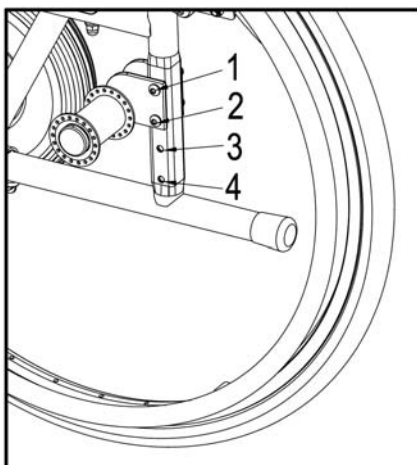
De Vermeiren D100 is instelbaar in 3 zithoogtes door wielen met een andere diameter te monteren. Bij elke hoogte hoort een andere instelling van de voor- en achterwielen.

⚠ WAARSCHUWING: De bovenste boring van de asplaat is niet om de wielas in te monteren. - Deze boring is voor het monteren van de trommelrem.

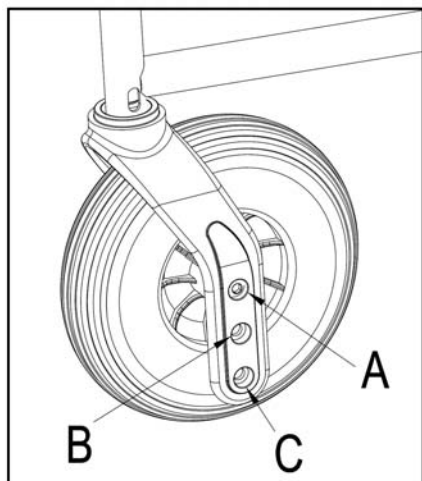
Zithoogte	Achterwielen	Voorwielen
470 mm	Boring 1 en Boring 2	Boring A
500 mm (Standaard)	Boring 2 en Boring 3	Boring B
530 mm	Boring 3 en Boring 4	Boring C

Tabel 2: Zithoogtes

Stel de zithoogte als volgt in:



1. Verwijder de achterwielen (zie § 2.13).
2. Verwijder de schroeven van de plaat.
3. Monteer de plaat in de juiste boring van het zijframe, zie tabel 2.
4. Kijk na of de montagebussen goed vast zitten.

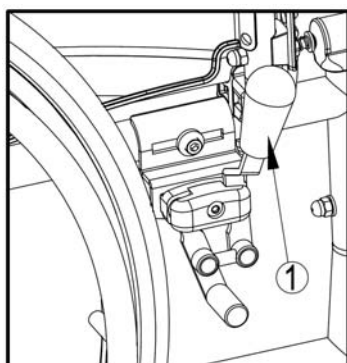


5. Verwijder de schroef van de voorvork en wielen.
6. Plaats deze volgens Tabel 2.
7. Installeer de voorwielen en maak deze terug vast. Controleer dat deze vlot draaien, maar dat er geen speling is.
8. Plaats de achterwielen.
9. Bij een correcte montage moet de vork van de voorwielen haaks op de grond staan. Kijk dit na.
10. Stel de remmen af volgens § 3.4.

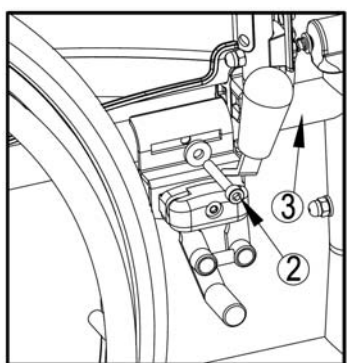
3.4 Afstellen van de remmen

⚠ WAARSCHUWING: Gevaar voor letsel – Laat de remmen afstellen door een erkend vakhandelaar.

Het afstellen van de remmen doet U als volgt:



1. Monteer de wielen zoals beschreven in § 2.2.
2. Zet de remmen los door hendel ① naar achteren te trekken.

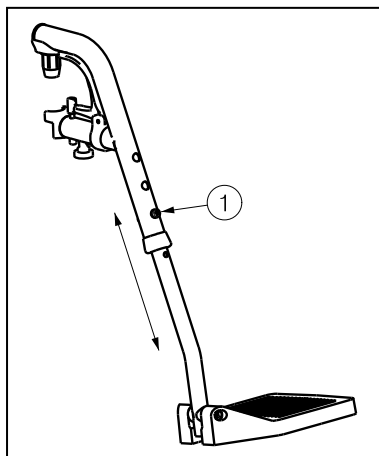


3. Maak de bout ② los zodat het remmechanisme over de buis kan schuiven ③.
4. Schuif het remmechanisme over de buis ③ tot de gewenste positie.
5. Maak de bout ② terug vast.
6. Controleer de werking van de remmen.
7. Indien nodig herhaal voorgaande stappen tot de remmen goed afgesteld staan.

3.5 Instellen van de voetsteun

3.5.1 Lengte van de voetsteun

⚠ VOORZICHTIG: Zorg ervoor dat de voetplaten niet over de grond slepen. Houd een minimum afstand van 60 mm tot de grond aan.



Stel de lengte van de voetsteun als volgt in (3 mogelijke posities: stappen van 35 mm → boringen op de buitenste buis, 6 mogelijke posities: stappen van 25 mm → binnenste buis):

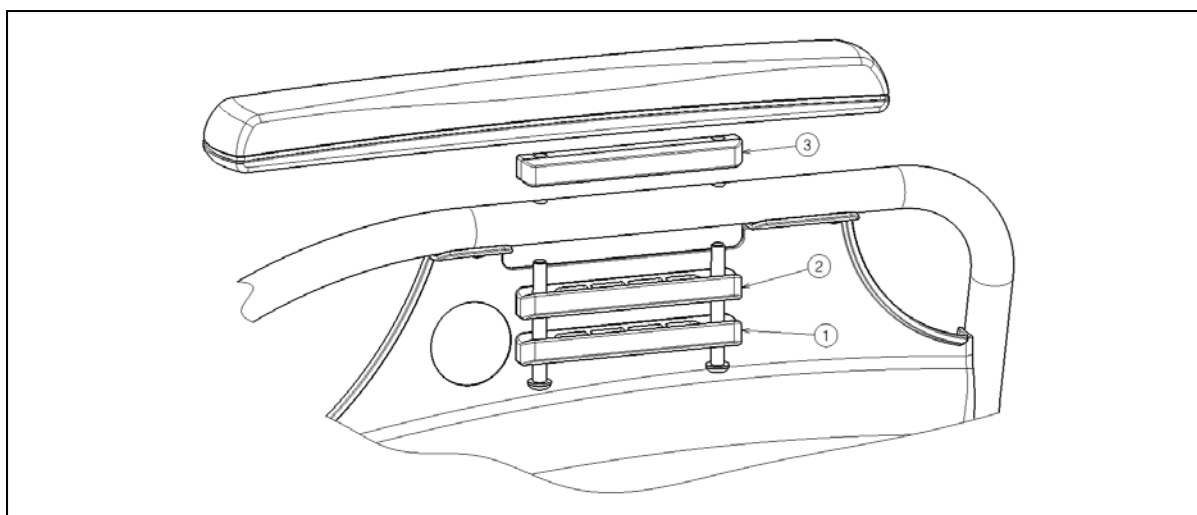
1. Verwijder de schroef ①.
2. Stel de lengte van de voetsteun op een comfortabele lengte in.
3. Draai de schroef ① goed vast.

3.6 Instellen van de armlegger

De armleggers van Uw rolstoel zijn verstelbaar zowel in hoogte als in diepte. De hoogte van de armlegger kan in 3 posities afgesteld worden:

Hoogte armlegger t.o.v. zitvlak	Aantal blokjes onder de buis	Aantal blokjes tussen buis en armlegger
220 mm (Standaard)	2	1
230 mm	1	2
240 mm	0	3

Tabel 3: Hoogte van de armlegger



De diepte van de armlegger kan in 3 posities ingesteld worden.

Diepte van de armlegger	Gebruikte boringen
Voorste positie	Achterste en middelste
Midden positie (Standaard)	Boring 2 en 4
Achterste positie	Voorste en middelste

Tabel 4: Diepte van de armlegger

Voor het verstellen van de hoogte en de diepte van de armlegger gaat U als volgt te werk:

1. Schroef beide bouten onder de armlegger los.
2. Plaats het juiste aantal blokjes onder en boven de buis, zie tabel 3.
3. Monteer de armlegger met de gewenste boringen voor de diepte-instelling.

4 Onderhoud

Voor de onderhoudshandleiding van de manuele rolstoelen kan U de website van Vermeiren raadplegen: www.vermeiren.be.

5 Clusteromschrijvingen

De D100 met 22, 24 inch achterwielen voldoen voor:

	<p>Transport duw/hoepelen</p> <p>TH</p>	<p>Hoepelrolstoel bedoelt voor gebruik in en om huis en op straat. De rolstoel is uitgevoerd met duwhandvatten en kiepvoorziening voor het duwen. De voetsteunen zijn instelbaar. De voetplaat of -platen kunnen door de gebruiker worden weggeklapt voor een transfer. De rolstoel is opvouwbaar, zodat deze in de kofferbak van een auto of in een stationwagen kan worden meegenomen.</p>
---	--	--

Inhalt

Vorwort	2
1 Produktbeschreibung	3
1.1 Verwendungszweck	3
1.2 Technische Daten	4
1.3 Komponenten	5
1.4 Zubehör	5
1.5 Positionierung der Kennzeichnung	5
1.6 Zeichenerklärung	6
1.7 Für ihre Sicherheit	6
2 Verwendung	7
2.1 Transportieren des Rollstuhls	7
2.2 Montage der Hinterräder	7
2.3 Auseinanderklappen des Rollstuhl	7
2.4 An- oder Abbauen der Fußauflagen	8
2.5 Betätigen der Bremsen	8
2.6 An- oder Abbauen der Armlehnen	9
2.7 Setzen in den Rollstuhl	10
2.8 Prüfen Sie, ob die Sitzposition korrekt ist	10
2.9 Fahren mit dem Rollstuhl	10
2.10 Bewegen an Steigungen	11
2.11 Überwinden von Stufen und Bordsteinen	11
2.12 Zusammenklappen des Rollstuhls	13
2.13 Abnehmen der Hinterräder	13
2.14 Transport in einem Kraftfahrzeug	13
2.15 Nutzung des Rollstuhls als Sitz in einem PKW	13
3 Zusammenbau und Einstellung	16
3.1 Werkzeuge	16
3.2 Lieferumfang	16
3.3 Einstellen der Sitzhöhe	16
3.4 Einstellen der Bremsen	17
3.5 Einstellen der Fußauflage	18
3.6 Einstellen der Armpolster	18
4 Wartung	19

Vorwort

Zuerst möchten wir uns für das Vertrauen bedanken, das Sie in uns gesetzt haben, indem Sie sich für einen unserer Rollstühle entschieden haben.

Die Vermeiren-Rollstühle sind das Ergebnis langjähriger Forschung und Erfahrung. In der Entwicklungsphase wurde besonderer Wert auf Bedienerfreundlichkeit und leichte Wartung des Rollstuhls gelegt.

Die zu erwartende Lebensdauer Ihres Rollstuhls von acht Jahren hängt stark von der Wartung und Pflege ab, die für den Rollstuhl aufgewendet wird.

Diese Bedienungsanleitung soll Ihnen helfen, sich mit der Benutzung Ihres Rollstuhls vertraut zu machen.

Das Befolgen der Bedienungsanleitung und der Wartungshinweises bildet einen wesentlichen Teil der Garantiebedingungen.

Diese Bedienungsanleitung spiegelt die neuesten Produktentwicklungen wider. Das Unternehmen Vermeiren behält sich jedoch das Recht vor, Änderungen vorzunehmen. Dabei besteht keine Verpflichtung, die früher ausgelieferten Modelle anzupassen oder zu ersetzen.

Sollten Sie weitere Fragen haben, so wenden Sie sich bitte an Ihren Fachhändler.

1 Produktbeschreibung

1.1 Verwendungszweck

Der Rollstuhl ist ausschließlich für den Transport von gehbehinderten oder gehunfähigen Menschen vorgesehen.

In dem Rollstuhl kann eine Person transportiert werden.

Der Rollstuhl kann sowohl im Innen- als auch im Außenbereich eingesetzt werden.

Der Rollstuhlfahrer kann den Rollstuhl entweder selbst antreiben oder von einer zweiten Person geschoben werden.

Die Vielfalt an Ausstattungs- und Zubehörvarianten sowie die modulare Bauweise erlauben den Transport eines Menschen bei Gehbehinderung/Gehunfähigkeit aufgrund von:

- Lähmungen
- Gliedmaßenverlust (Beinamputation)
- Gliedmaßendefekt oder -deformation
- Gelenkkontrakturen oder -schäden
- Herzkrankheiten oder schwachem Blutkreislauf
- Gleichgewichtsstörungen
- Kachexie (Muskelschwund)
- und für ältere Menschen.

Bei der individuellen Versorgung sind außerdem:

- Körpergröße und -gewicht (max. 130 kg)
- Körperlicher und geistiger Zustand
- Wohnverhältnisse
- Umgebung

zu beachten.

Ihr Rollstuhl darf nur auf Flächen verwendet werden, auf denen alle vier Räder den Boden berühren und ausreichend Kontakt vorhanden ist, um die Räder gleichmäßig anzutreiben.

Die Verwendung des Elektrorollstuhl auf unebenen Flächen (Pflastersteinen usw.), Abhängen, Kurven sowie das Umfahren von Hindernissen (Bordsteinen usw.) muss geübt werden.

Der Rollstuhl darf nicht als Leiter oder als Transportmittel für schwere oder heiße Objekte verwendet werden.

Wird der Stuhl auf Matten, Auslegeware oder Teppichböden verwendet, könnten diese Bodenbeläge beschädigt werden.

Verwenden Sie ausschließlich von Vermeiren genehmigtes Zubehör.

Für Schäden durch nicht oder mangelhaft durchgeführte Wartung oder durch Nichtbeachtung der folgenden Anweisungen übernimmt der Hersteller keine Haftung.

Das Befolgen der Bedienungsanleitung und der Wartungshinweise bildet einen wesentlichen Teil der Garantiebedingungen.

1.2 Technische Daten

Die im Folgenden aufgeführten technischen Daten gelten für einen Rollstuhl in der Standardkonfiguration. Wurden eine Fußauflage und/oder eine Armlehne oder anderes Zubehör montiert, ändern sich die in der Tabelle aufgeführten Werte.

Hersteller	Vermeiren							
Adresse	Vermeirenplein 1/15, B-2920 Kalmthout							
Typ	Manueller Rollstuhl							
Modell	D100							
Max. zulässiges Gewicht des Rollstuhlfahrers	130 kg							
Beschreibung	Abmessungen							
Effektive Sitzbreite	380 mm	400 mm	420 mm	440 mm	460 mm	480 mm	500 mm	520 mm
Gesamtbreite (abhängig von der Sitzbreite)	580 mm	600 mm	620 mm	640 mm	660 mm	680 mm	700 mm	720 mm
Beschreibung	Abmessungen Min.				Abmessungen Max.			
Gesamtlänge mit Beinstütze	1010 mm							
Länge zusammengeklappt	1010 mm							
Breite zusammengeklappt	300 mm							
Höhe zusammengeklappt	880 mm				940 mm			
Gesamtgewicht	18 kg							
Gewicht des schwersten Teils	10,5 kg							
Statische Stabilität, bergab	16° (in der Standardkonfiguration)							
Statische Stabilität, bergauf	12° (in der Standardkonfiguration)							
Statische Stabilität, seitwärts	20° (in der Standardkonfiguration)							
Maximale, sichere Steigung	12°							
Überfahren von Hindernissen	60 mm							
Winkel der Sitzfläche	5°							
Effektive Sitztiefe	430 mm							
Höhe der Sitzoberfläche an der Vorderkante	470 mm				530 mm			
Rückenlehnenwinkel	5°							
Rückenlehnenhöhe	420 mm							
Abstand zwischen Fußauflage und Sitz	385 mm				455 mm			
Winkel zwischen Sitz und Fußauflage	8°							
Abstand zwischen Armpolster und Sitz	220 mm				240 mm			
Vordere Lage der Armpolster	410 mm							
Greifreifendurchmesser	535 mm							
Horizontale Lage der Achse (Deflektion)	37 mm							
Kleinster Wenderadius	1500 mm							
Durchmesser der PU-Hinterräder	22"				24"			
Durchmesser der PU-Lenkräder	200 mm							
Temperaturbereich für Lagerung und Nutzung	5 °C				+41 °C			



Luffeuchtigkeitsbereich für Lagerung und Nutzung	30%	70%
Technische Änderungen vorbehalten. Messtoleranzen $\pm 15 \text{ mm} / 1,5 \text{ kg} / ^\circ$		

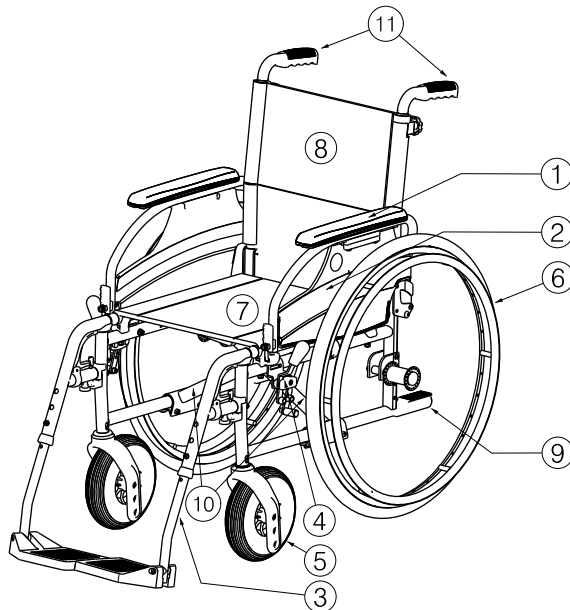
Tabelle 1: Technische Daten

Der Rollstuhl entspricht den Anforderungen der folgenden Normen:

ISO 7176-8: Anforderungen und Prüfungen für statische Festigkeit, Stoßfestigkeit und Dauerfestigkeit.

ISO 7176-16: Beständigkeit gegen Entzündung von gepolsterten Teilen

1.3 Komponenten



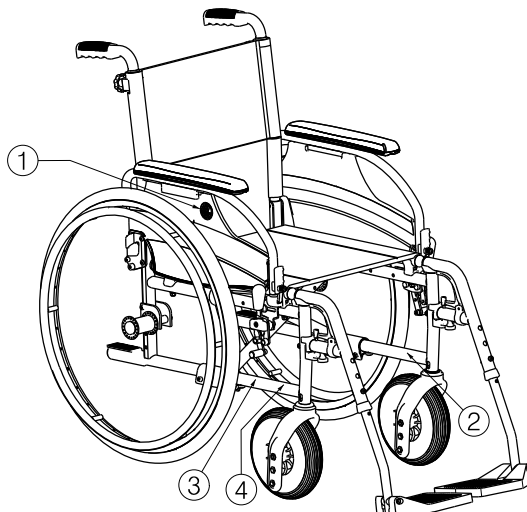
- 1 = Armpolster
- 2 = Armlehnen
- 3 = Fußauflagen
- 4 = Bremsen
- 5 = Lenkräder (Vorderräder wheels)
- 6 = Antriebsräder (Hinterräder)
- 7 = Sitz
- 8 = Rückenlehne
- 9 = Kipphilfe
- 10 = Schere
- 11 = Handgriffe

1.4 Zubehör

Für den D100 ist das folgende Zubehör erhältlich:

- Vorderer Beckengurt (B20) zur Befestigung an den Rohren der Rückenlehne (siehe entsprechendes Handbuch)
- Anti-Kippvorrichtung (B78) zur Befestigung am unteren Rahmen (siehe entsprechendes Handbuch)

1.5 Positionierung der Kennzeichnung



- 1 = Logo Vermeiren
- 2 = Typenschild
- 3 = Name Vermeiren
- 4 = Crash-Testung

1.6 Zeichenerklärung



Max. zulässiges Gewicht



Innen- und Außenbereich



Maximale, sichere Steigung



CE-Konformität



Typenbezeichnung

1.7 Für ihre Sicherheit

- ⚠ Achten Sie darauf, dass bei Nutzung der Antriebsräder keine Gegenstände und/oder Körperteile in die Speichen hineinragen, da sonst Verletzungen und/oder Beschädigungen an Ihrem Rollstuhl auftreten können.
- ⚠ Vor dem Ein-/Aussteigen in den/aus dem Rollstuhl sind die Feststellbremsen zu betätigen.
- ⚠ Steigen Sie beim Ein-/Aussteigen in den/aus dem Rollstuhl nicht auf die Fußplatten. Diese sind vorher nach oben zu klappen oder die ganze Fußauflagen nach außen abzuschwenken.
- ⚠ Erforschen Sie die Auswirkungen von Schwerpunktverlagerungen auf das Verhalten des Rollstuhles, zum Beispiel auf Gefällestrecken, Steigungen, seitlichen Neigungen oder beim Überwinden von Hindernissen. Nutzen Sie die Unterstützung durch eine Begleitperson.
- ⚠ Achten Sie beim Ergreifen von Gegenständen (die vor, seitlich oder hinter dem Rollstuhl liegen) darauf, dass Sie sich nicht zu weit aus dem Rollstuhl lehnen, da durch Schwerpunktverlagerung eine Kippgefahr besteht.
- ⚠ Bei Durchfahrten von Türen, Bögen usw. muss seitlich ausreichend Platz vorhanden sein, da sonst Quetschgefahr für Ihre Hände/Arme besteht und Schäden am Rollstuhl entstehen.
- ⚠ Setzen Sie Ihren Rollstuhl nur bestimmungsgemäß ein. Vermeiden Sie z.B. ein ungebremstes Fahren gegen ein Hindernis (Stufe, Bordsteinkante, Türzarge usw.) oder Herunterspringen von Absätzen. Für Schäden, die durch Kollision, Überlast oder andere, nicht bestimmungsgemäße Nutzung entstehen, haftet der Hersteller nicht.
- ⚠ Treppen dürfen nur mit Hilfe von Begleitpersonen überwunden werden. Sind dafür Einrichtungen, wie z.B. Auffahrrampen oder Aufzüge vorhanden, sind diese zu nutzen.
- ⚠ Sie unterliegen bei Fahrten im öffentlichen Straßenverkehr der Straßenverkehrsordnung.
- ⚠ Wie auch beim Führen anderer Fahrzeuge sollten Sie mit Ihrem Rollstuhl nicht unter Alkoholeinfluss oder Medikamenteneinwirkung stehen. Dies gilt auch für Fahrten in Innenräumen.
- ⚠ Stellen Sie Ihr Fahrverhalten bei Fahrten außerhalb der Wohnung auf die gegebenen Witterungs- und Straßenverhältnisse ein.
- ⚠ Tragen Sie zum "Besser-Gesehen-Werden" im Dunkeln möglichst helle Kleidung oder Kleidung mit Reflektoren und achten Sie darauf, dass die seitlich und rückwärtig am Rollstuhl angebrachten Reflektoren gut sichtbar sind.
- ⚠ Achten sie darauf, dass die maximale Belastung (130 kg) nicht überschritten wird.

2 Verwendung

In diesem Kapitel wird die tägliche Verwendung beschrieben. **Diese Anweisungen richten sich an den Benutzer und den Fachhändler.**

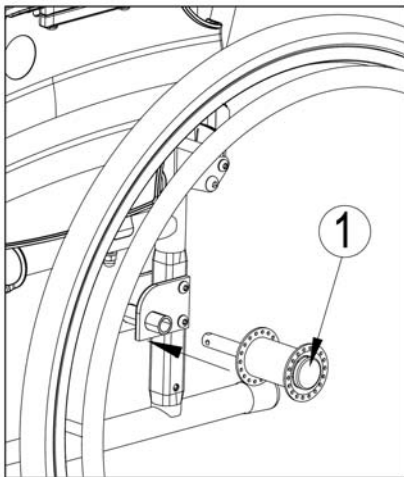
Der Rollstuhl wird Ihnen vollständig aufgebaut von Ihrem Fachhändler geliefert. Anweisungen für den Fachhändler, wie der Rollstuhl zusammengebaut und eingerichtet wird, befinden sich in § 3.

2.1 Transportieren des Rollstuhls

Am besten lässt sich der Rollstuhl transportieren, indem die Räder verwendet und der Rollstuhl geschoben wird.

Sollte dies nicht möglich sein (beispielsweise wenn die Hinterräder für den Transport in einem Auto abgenommen wurden), greifen Sie den Rahmen fest an der Vorderseite und an den Griffen. Greifen Sie den Rollstuhl nicht an den Fußauflagen oder Armlehnen oder den Rädern.

2.2 Montage der Hinterräder



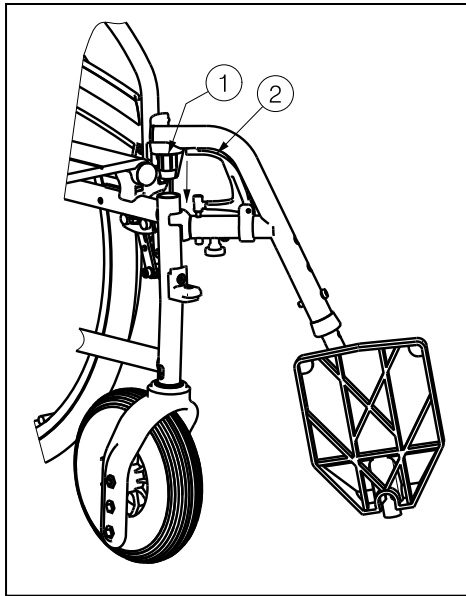
1. Nehmen Sie das Hinterrad in die Hand und drücken Sie auf den Arretierstift ①.
2. Halten Sie den Arretierstift gedrückt und schieben Sie das Hinterrad bis zum Anschlag auf die Achse.
3. Lassen Sie den Arretierstift los.
4. Prüfen Sie, ob die Räder sicher auf der Achse sitzen.

2.3 Auseinanderklappen des Rollstuhl

⚠ VORSICHT: Klemmgefahr – Halten Sie Ihre Finger fern von sich bewegenden Teilen des Rollstuhls.

1. Stellen Sie sich auf die Rückseite des Rollstuhls.
2. Nutzen Sie die Schiebegriffe, um den Rollstuhl so weit wie möglich zu öffnen.
3. Stellen Sie sich auf die Vorderseite des Rollstuhls.
4. Drücken Sie die beiden Holme, an denen der Sitz befestigt ist, weiter nach unten.

2.4 An- oder Abbauen der Fußauflagen



Die Fußauflage wird wie folgt montiert:

1. Halten Sie die Fußauflage seitlich an die Außenseite des Rollstuhlrahmens und stecken Sie den Zapfen ① in den Rahmen.
2. Drehen Sie die Fußauflage nach innen bis diese einrasten.
3. Drücken Sie die Fußplatte nach unten.

So bauen Sie die Fußauflage ab:

1. Ziehen Sie am Hebel ②.
2. Schwenken Sie die Fußauflage an die Außenseite des Rollstuhls, bis sie sich aus der Führung löst.
3. Ziehen Sie die Fußauflage mit dem Zapfen aus dem Rahmen ①.

2.5 Betätigen der Bremsen

- ⚠ **WARNUNG:** Die Bremsen dienen nicht dazu, die Bewegung des Rollstuhls abzubremesen – sie dienen ausschließlich dazu, unbeabsichtigte Bewegungen des Rollstuhls zu verhindern.
- ⚠ **WARNUNG:** Die ordnungsgemäße Funktion der Bremsen kann durch Verschleiß oder Schmutz (auch Wasser, Öl, Schlamm usw.) beeinträchtigt werden. Überprüfen Sie daher vor jeder Rollstuhlnutzung den Zustand der Reifen.
- ⚠ **WARNUNG:** Die Bremsen sind einstellbar und können verschleifen. Überprüfen Sie daher vor jeder Rollstuhlnutzung den Zustand der Bremsen.
- ⚠ **WARNUNG:** Klemmgefahr - Fassen Sie nicht den Rahmen, während Sie die Bremsen lösen.

So betätigen Sie die Bremsen:

1. Drücken Sie die Bremshebel nach vorn, bis Sie ein deutliches Klicken fühlen.
- ⚠ **VORSICHT:** Gefahr einer unbeabsichtigten Bewegung. Achten Sie darauf, dass der Rollstuhl auf einer flachen, horizontalen Fläche steht, bevor Sie die Bremsen lösen. Lösen Sie niemals beide Bremsen gleichzeitig.

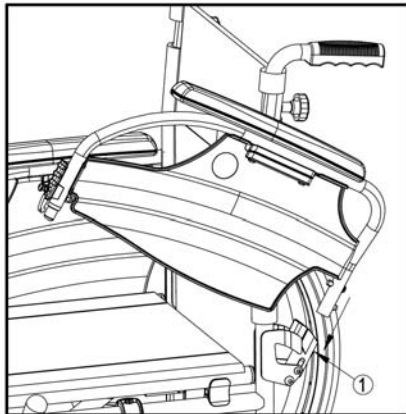
So lösen Sie die Bremsen:

1. Lösen Sie eine Bremse, indem Sie den Griff nach hinten ziehen.
2. Fassen Sie den Greifreifen des Rads mit der gelösten Bremse mit Ihrer Hand.
3. Lösen Sie die zweite Bremse, indem Sie den Griff nach hinten ziehen.

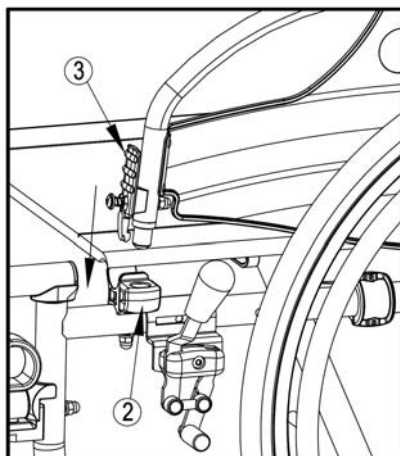
2.6 An- oder Abbauen der Armlehnen

Die Armlehnen des Rollstuhl können weggeklappt oder abgebaut werden.

- ⚠ **VORSICHT: Klemmgefahr – Halten Sie Ihre Finger, Schnallen oder Kleidungsstücke fern von der Unterseite der Armlehne.**
- ⚠ **VORSICHT: Klemmgefahr – Achten Sie darauf, dass Ihre Finger nicht zwischen Armlehne und Hinterräder geraten.**

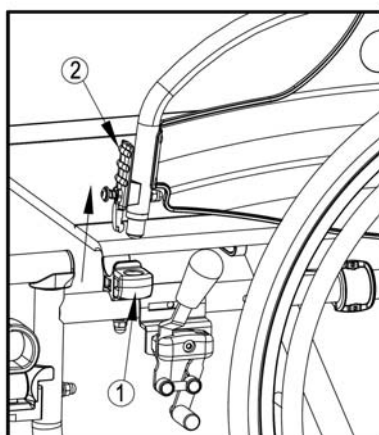


1. Schieben Sie das hintere Rohr der Armlehne in die Rohraufnahme ①.
2. Achten Sie darauf, dass die Armlehne vollständig in den Verriegelungsmechanismus einrastet.
3. Klappen Sie die Armlehne nach vorne.



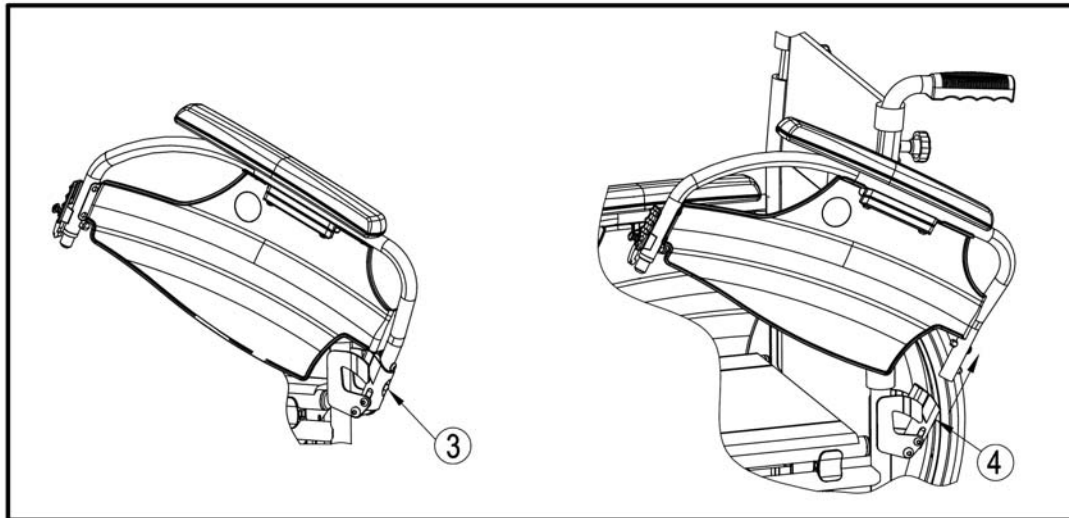
4. Schieben Sie das vordere Rohr der Armlehne in die Rohraufnahme ②.

So entriegeln Sie eine Armlehne und bauen sie ab:



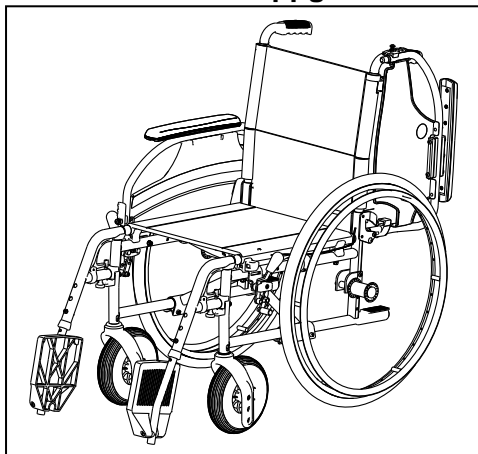
1. Drücken Sie den Hebel ② und ziehen Sie die Vorderseite der Armlehne nach oben.
2. Klappen Sie die Armlehne nach hinten.

3. Zum Abbauen der Armlehne drücken Sie den Knopf ③ und ziehen den hinteren Teil der Armlehne aus der Aufnahme ④.



2.7 Setzen in den Rollstuhl

- ⚠ **VORSICHT:** Falls Sie sich nicht allein sicher in den Rollstuhl oder aus diesem heraus umsetzen können, bitten Sie jemanden um Hilfe.
- ⚠ **VORSICHT:** Kippgefahr des Rollstuhls – Stellen Sie sich nicht auf die Fußplatten.



1. Positionieren Sie den Rollstuhl so nah wie möglich an den Stuhl, die Couch oder das Bett, zu dem bzw. von dem das Umsetzen vorgenommen werden soll.
2. Achten Sie darauf, dass beide Bremsen des Rollstuhls betätigt sind.
3. Klappen Sie die Fußplatten nach oben, damit Sie sich nicht versehentlich darauf stellen.
4. Wenn Sie sich von der Seite in den Rollstuhl setzen, klappen Sie die Armlehne an der entsprechenden Seite nach oben (Siehe § 2.6).
5. Setzen Sie sich in den Rollstuhl.

2.8 Prüfen Sie, ob die Sitzposition korrekt ist

Einige Empfehlungen für die komfortable Verwendung des Rollstuhls:

- Setzen Sie sich möglichst weit nach hinten, so dass der Rücken an der Rückenlehne anliegt.
- Achten Sie darauf, dass Ihre Oberschenkel möglichst horizontal stehen. Gegebenenfalls müssen Sie die Länge der Fußauflage einstellen. (Siehe § 3.5)

2.9 Fahren mit dem Rollstuhl

- ⚠ **WARNUNG:** Klemmgefahr – Halten Sie Ihre Finger von den Radspeichen fern.
- ⚠ **WARNUNG:** Klemmgefahr – Achten Sie darauf, dass Ihre Finger nicht zwischen Antriebsrad und Greifreifen geraten.
- ⚠ **WARNUNG:** Klemmgefahr: Seien Sie in engen Durchfahren (z. B. Türen) vorsichtig.
- ⚠ **WARNUNG:** Verletzungsgefahr – Achten Sie darauf, dass Sie das Gerät keinen extremen Temperaturen aussetzen (Sonnenschein, extreme Kälte, Sauna etc.), da sich die verwendeten Materialien den Umgebungstemperaturen angleichen, was bei Berührung zu Verletzungen führen kann - Umgebungstemperaturen können Oberflächen verändern.

1. Lösen Sie die Bremsen.
2. Legen Sie beide Hände an die oberste Position des Greifreifens.
3. Lehnen Sie sich nach vorn und drücken Sie die Greifreifen nach vorn, bis beide Arme gerade sind.
4. Schwingen Sie Ihre Arme lose zurück an die Oberkante der Greifreifen und wiederholen Sie die Bewegung.

2.10 *Bewegen an Steigungen*

- ⚠ **WARNUNG:** Kontrollieren Sie Ihre Geschwindigkeit – Bewegen Sie sich an Steigungen so langsam wie möglich.
- ⚠ **WARNUNG:** Berücksichtigen Sie die Kräfte Ihres Helfers – Wenn Ihr Helfer nicht stark genug ist, den Rollstuhl zu kontrollieren, betätigen Sie die Bremsen.
- ⚠ **WARNUNG:** Kippgefahr – Lehnen Sie sich nach vorn, um Ihren Schwerpunkt nach vorne zu verlagern. So sorgen Sie für bessere Stabilität.



1. Falls Ihr Rollstuhl mit einem Sicherheitsgurt ausgestattet ist, sollten Sie ihn stets anlegen.
2. Versuchen Sie nicht, zu steile Steigungen hinauf zu fahren. Die maximalen Steigungswinkel (bergauf und bergab) sind Tabelle 1 zu entnehmen.
3. Bitten Sie einen Helfer, Sie beim Hinauffahren der Steigung zu unterstützen.
4. Lehnen Sie sich nach vorn, um Ihren Schwerpunkt nach vorne zu verlagern.

2.11 *Überwinden von Stufen und Bordsteinen*

2.11.1 *Hinunterfahren von Stufen und Bordsteinen*

Stufen und Bordsteine können vorwärts überwunden werden. Achten Sie darauf, dass die Fußplatten den Boden nicht berühren.



Ein geübter Fahrer kann Stufen und Bordsteine problemlos allein hinunterfahren:

- ⚠ **WARNUNG:** Kippgefahr – Falls Sie noch unerfahren im Umgang mit dem Rollstuhl sind, lassen Sie sich helfen.
1. Verlagern Sie das Gewicht auf die Hinterräder, um die Vorderräder zu entlasten.
 2. Fahren Sie den Bordstein hinunter.

Auch höhere Bordsteine können mit einem Helfer vorwärts überwunden werden:

1. Bitten Sie den Helfer, den Rollstuhl etwas nach hinten zu kippen.
2. Fahren Sie den Bordstein hinunter, während Sie die Hinterräder bewegen.
3. Setzen Sie den Rollstuhl wieder auf alle vier Räder.



Ein erfahrener Fahrer kann auch höhere Bordsteine alleine überwinden. Die erfolgt dann am besten rückwärts.

1. Drehen Sie den Rollstuhl so, dass die Hinterräder zum Bordsteine weisen.
2. Lehnen Sie sich nach vorn, um Ihren Schwerpunkt nach vorne zu verlagern.
3. Bewegen Sie den Rollstuhl so nach wie möglich an den Bordstein.
4. Drücken Sie vorsichtig am Greifreifen, um den Rollstuhl langsam den Kantstein hinunterfahren zu lassen.

2.11.2 Hinauffahren von Stufen und Bordsteinen

So überwinden Sie Stufen oder Bordsteine mit einem Helfer:



1. Achten Sie darauf, dass die Fußplatten den Bordstein nicht berühren.
2. Bitten Sie den Helfer, den Rollstuhl gerade so weit nach hinten zu kippen, dass die Vorderräder über dem Bordstein stehen.
3. Lehnen Sie sich nach hinten, um Ihren Schwerpunkt nach hinten über die Hinterräder zu verlagern.
4. Setzen Sie die Vorderräder auf den Bordstein.
5. Rollen Sie die Hinterräder des Rollstuhls über den Bordstein.

Höhere Bordsteine können Sie rückwärts überwinden:

1. Drehen Sie den Rollstuhl so, dass die Hinterräder zum Bordsteine weisen.
2. Lehnen Sie sich nach hinten, und bringen Sie den Schwerpunkt über die Hinterräder.
3. Bitten Sie die Begleitperson, den Rollstuhl über den Bordstein zu ziehen.
4. Nehmen Sie wieder die normale Position auf dem Rollstuhl ein.

Ein erfahrener Fahrer kann auch Bordsteine alleine überwinden:

⚠️ WARNUNG: Kippgefahr – Wenn Sie noch unerfahren in der Handhabung eines Rollstuhls sind, lassen Sie sich von einer zweiten Person helfen.



1. Fahren Sie bis an den Bordstein heran.
2. Achten Sie darauf, dass die Fußplatten den Bordstein nicht berühren.
3. Lehnen Sie sich nach hinten, um den Schwerpunkt auf die Hinterräder zu verlagern.



4. Rollen Sie die Vorderräder vorsichtig über den Bordstein.
5. Lehnen Sie sich nach vorn, um mehr Stabilität zu erhalten.
6. Rollen Sie die Hinterräder über den Bordstein.

2.11.3 Überwinden von Treppen

Auch eine Treppe kann mit einem Rollstuhl überwunden werden, wenn die folgenden Regeln beachtet werden:

⚠️ WARNUNG: Kippgefahr – Treppen sollten immer mit zwei Helfern überwunden werden.

1. Bauern Sie die Beinstützen ab.
2. Ein Helfer kippt den Rollstuhl etwas nach hinten.
3. Der zweite Helfer fasst den Rollstuhl am vorderen Rahmen.
4. Bleiben Sie ruhig, vermeiden Sie plötzliche Bewegungen, und halten Sie die Arme am Körper.
5. Überwinden Sie die Stufen mit den Hinterräder des Rollstuhls.
6. Bauen Sie die Beinstützen nach dem Überwinden der Treppe wieder am Rollstuhl an.

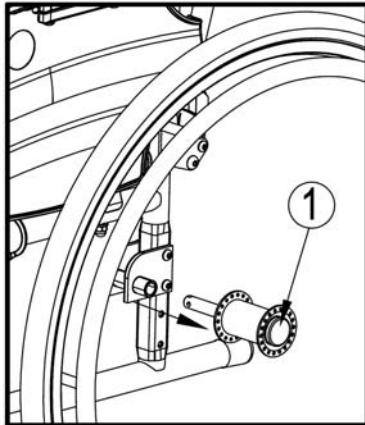
2.12 Zusammenklappen des Rollstuhls

⚠ VORSICHT: Klemmgefahr! Achten Sie darauf, dass Ihre Finger nicht zwischen die Rollstuhlkomponenten gelangen.

1. Klappen Sie die Fußplatten hoch oder bauen Sie die Beinstützen ab (siehe § 2.4).
2. Fassen Sie den Sitz an der Vorder- und Hinterseite an, und ziehen Sie ihn nach oben.

2.13 Abnehmen der Hinterräder

Für eine einfacheren Transport des Rollstuhls können die Hinterräder abgenommen werden:



1. Stellen Sie sicher, dass die Bremsen gelöst sind.
2. Drehen Sie die Seite des Rollstuhls zu sich, an der Sie das Rad abnehmen möchten.
3. Drücken Sie den Arretierstift ① in der Mitte der Radnabe.
4. Ziehen Sie das Rad vom Rahmen ab.

2.14 Transport in einem Kraftfahrzeug

⚠ WARNUNG: Verletzungsgefahr – Achten Sie darauf, den Rollstuhl ordnungsgemäß zu befestigen. So vermeiden Sie Verletzungen der Fahrzeuginsassen bei einer Kollision oder einem plötzlichen Bremsmanöver.

⚠ WARNUNG: Verletzungsgefahr – Verwenden Sie zum Sichern des Rollstuhls und des Fahrzeuginsassens NIEMALS den gleichen Sicherheitsgurt.

Gehen Sie folgendermaßen vor, um den Rollstuhl im Auto zu transportieren:

1. Bauen Sie die Fußplatten und evtl. vorhandenes Zubehör ab.
2. Bewahren Sie die Fußplatten und das Zubehör an einem sicheren Ort auf.
3. Wenn möglich, klappen Sie den Rollstuhl zusammen und bauen Sie die Hinterräder ab.
4. Transportieren Sie den Rollstuhl nach Möglichkeit im Kofferraum oder Gepäckraum.
5. Wenn der Gepäckraum und der Fahrgastraum NICHT voneinander getrennt sind, befestigen Sie den Rahmen des Rollstuhls sicher am Fahrzeug. Sie können hierzu verfügbare Sicherheitsgurte im Fahrzeug verwenden.

2.15 Nutzung des Rollstuhls als Sitz in einem PKW

⚠ WARNUNG: Verletzungsgefahr- Der Rollstuhl darf nur als Sitz in einem PKW verwendet werden, wenn die Schiebegriffe zuvor in die unterste/tiefste Position gebracht werden. Ansonsten ist die Nutzung als Sitz in einem PKW untersagt.

⚠ WARNUNG: Der Rollstuhl hat den Crash-Test gemäß ISO 7176-19: 2008 bestanden und ist konstruiert und ausgelegt zur Nutzung als Sitz in einem PKW nur in Blickrichtung nach vorne.

⚠ WARNUNG: Ein Rollstuhlrückhaltegurt ist nicht als Sicherheitsgurt zu verwenden.

Der Rollstuhl wurde getestet unter Verwendung eines 5-Punkt Rückhaltegurtsystems (Rollstuhl) und eines 3-Punkt-Sicherheitsgurtes (Nutzer).

Grundsätzlich ist, wenn möglich, bevorzugt ein vorhandener PKW-Sitz zu verwenden und der Rollstuhl sicher im Gepäckraum zu verstauen.

Sicheres Verzurren des Rollstuhls innerhalb des PKW's:

1. Prüfen Sie, ob der PKW mit einem PKW-Gurtsystem und einem Sicherheitsgurt gemäß ISO 10542 ausgestattet ist.
2. Prüfen Sie, dass alle Komponenten des PKW-Gurtsystems (Rollstuhl) und des Sicherheitsgurtes (Nutzer) nicht ausgefranst, verschmutzt, beschädigt oder geknickt sind.
3. Ist der Rollstuhl mit verstellbaren Sitz-/Rückensystemen ausgestattet, sind diese in eine Position zu bringen, die den Nutzer in eine möglichst aufrechte Sitzposition bringt. Lässt der Zustand des Nutzers dies nicht zu, sind die Risiken die den Transport in einer anderen Position zur Folge haben, festzustellen und zu bewerten.
4. Entfernen Sie alle angebauten Teile und Zubehörteile, wie z.B. Körbe, Taschen, Beatmungsequipment, usw., und verstauen Sie diese gesondert sicher im Gepäckraum.
5. Positionieren Sie den Rollstuhl in Vorwärtsrichtung mittig zwischen den Schienen des PKW-Gurtsystems, die im Boden des PKW's eingebaut sind.
6. Stellen Sie sicher, dass keine Fahrzeugteile/-bauten in die unten angegebenen Sicherheitszonen um den Nutzer herum gebaut sein dürfen (Abb. 1 / Abb. 2).

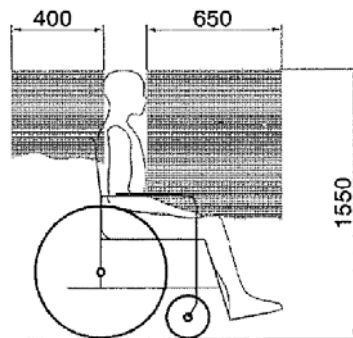


Abb. 1

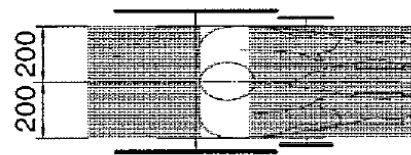


Abb. 2

7. Montieren Sie die vorderen Gurte des Rollstuhl-Gurtsystems gemäß den Angaben des jeweiligen Herstellers an den angegebenen Positionen am Rollstuhl. (Abb. 3)
Diese Stellen sind am Rollstuhl mit einem Symbol markiert. (Abb. 4)
8. Ziehen Sie den Rollstuhl soweit nach hinten, bis die vorderen Gurte gespannt sind.
9. Betätigen Sie nun die Bremsen des Rollstuhls.
10. Montieren Sie die hinteren Gurte des Rollstuhl-Gurtsystems gemäß den Angaben des jeweiligen Herstellers an den angegebenen Positionen am Rollstuhl. (Abb. 3)
11. Diese Stellen sind am Rollstuhl mit einem Symbol markiert. (Abb. 4)

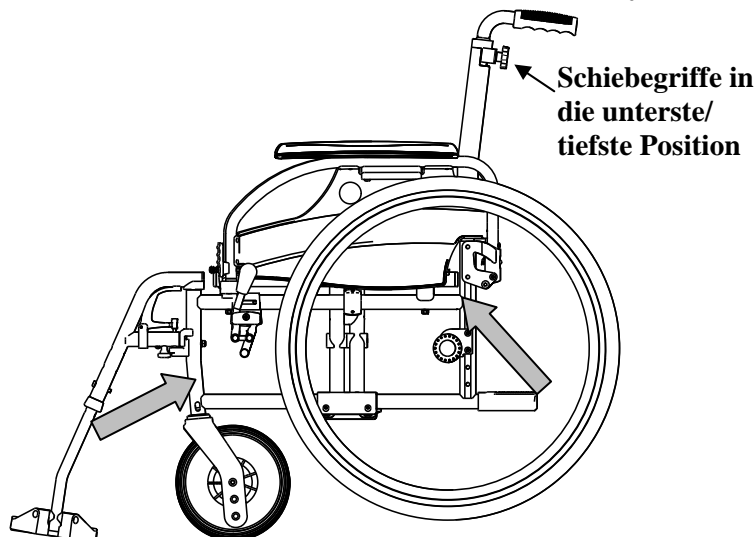


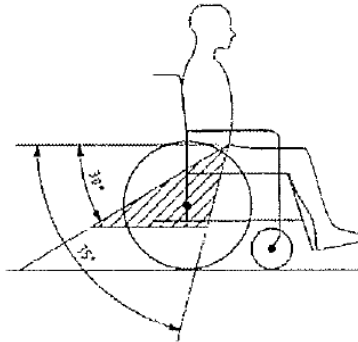
Abb. 3



Abb. 4

Sicheres Anschnallen des Nutzers:

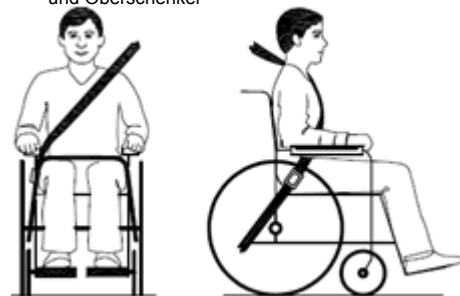
1. Entfernen Sie beide Armlehnen des Rollstuhls.
2. Wenn vorhanden, legen Sie den Rollstuhlgurt an.
3. Legen Sie den Sicherheitsgurt des PKW's an gemäß den Angaben des jeweiligen Herstellers.
4. Legen Sie den Gurt so über dem vorderen Becken des Nutzers an, dass der Gurtriemen in einem Winkel zwischen 30° und 75° Grad zur Horizontalen liegt (siehe auch nachfolgende Zeichnung).



5. Je größer (steiler) der Winkel des Gurtriemens innerhalb der markierten Fläche, desto besseren Halt kann das Gurtsystem bieten.
6. Legen Sie den Gurt stramm gemäß den Angaben des jeweiligen Herstellers an, ohne den Nutzer zu verletzen oder zu behindern.
7. Stellen Sie sicher, dass die Gurte in einer direkten Linie zur Gurtaufhängung des PKW's angebracht werden und dass keine Knicke und Verdrehungen in den Riemen sichtbar sind, zum Beispiel durch die Hinterradachse.
8. Die Armlehnen können angebracht werden. Stellen Sie sicher, dass die Gurte nicht verdreht sind und der Gurt stramm am Körper des Nutzers liegt. Bauteile des Rollstuhls (Armlehnen, Räder usw.) dürfen den Gurt nicht vom Körper des Nutzers ferngehalten.



Grute sollen kompletten Kontakt über den Brustkorb haben bis zum seitlichen Becken und Oberschenkel



3 Zusammenbau und Einstellung

Die Anweisungen in diesem Kapitel richten sich an den Fachhändler.

Der Vermeiren D100 wurde so konzipiert, dass er optimal verstellt werden kann und nur ein Minimum an Ersatzteilen erfordert. Daher ist es nicht erforderlich, dass ein spezieller Vorrat an Ersatzteilen angelegt wird.

Um einen Fachhändler in Ihrer Nähe zu finden, stehen Ihnen unsere Niederlassungen gerne zur Verfügung. Eine Auflistung aller Vermeiren Niederlassungen finden Sie auf der letzten Seite dieser Gebrauchsanweisung.

⚠️ WARNUNG: Nutzen Sie das Produkt nur gemäß den technischen Vor- und Angaben dieser Gebrauchsanweisung.

⚠️ WARNUNG: Änderungen an den zulässigen Einstellungen können die Stabilität des Rollstuhls verändern (Kippen nach hinten oder zur Seite).

3.1 Werkzeuge

Für die Montage des Rollstuhl und für Einstellungen werden die folgenden Werkzeuge benötigt:

- Schraubenschlüsselsatz Größe 7 bis 22
- Inbusschlüsselsatz Größe 3 bis 8
- Schlitzschraubendreher Größe 4 bis 5
- Kreuzschlitzschraubendreher

3.2 Lieferumfang

Der Lieferumfang des Vermeiren D100 umfasst:

- 1 Rahmen mit Armlehnen, Hinterrädern und Vorderrädern (Sitzhöhe von 500 mm)
- 1 Paar Beinstützen
- Werkzeuge
- Handbuch
- Zubehör

3.3 Einstellen der Sitzhöhe

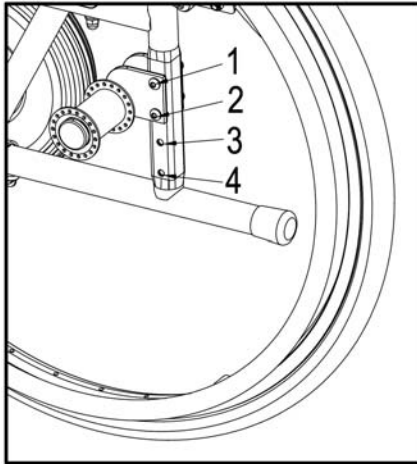
Die Sitzhöhe des Vermeiren D100 kann durch Ändern der Radposition dreifach verstellt werden. Bei jeder Sitzhöhe wird eine andere Position der Vorder- und Hinterräder gewählt.

⚠️ WARNUNG: Die oberste Bohrung an der Achsplatte dient nicht zur Aufnahme der Hinterachse. Diese Bohrung dient zur Befestigung der Trommelbremse.

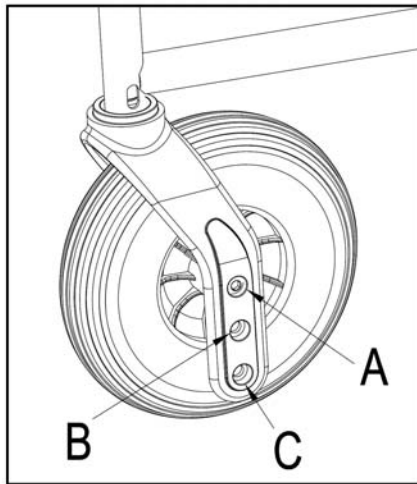
Sitzhöhe	Hinterräder	Vorderräder
470 mm	Bohrung 1 und Bohrung 2	Bohrung A
500 mm (Standard)	Bohrung 2 und Bohrung 3	Bohrung B
530 mm	Bohrung 3 und Bohrung 4	Bohrung C

Tabelle 2: Sitzhöhe

So ändern Sie die Sitzhöhe:



1. Bauen Sie die Hinterräder ab (siehe § 2.13).
2. Entfernen Sie die Schraube an der Platte.
3. Montieren Sie die Platte in der richtigen Bohrung der Seitenrahmen, siehe Tabelle 2.
4. Überprüfen Sie, ob die Achsbuchsen festgezogen sind.

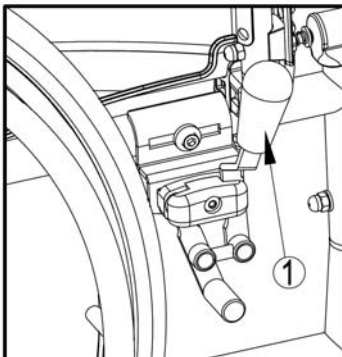


5. Entfernen Sie die Schraube an der Vordergabel.
6. Positionieren Sie gemäß Tabelle 2.
7. Bauen Sie die der Vorderräder wieder ein und ziehen Sie sie fest. Achten Sie darauf, dass die Achsen sich problemlos drehen lassen, es darf aber kein Spiel vorhanden sein.
8. Bauen Sie die Hinterräder an.
9. Wenn alles ordnungsgemäß zusammengebaut wurde, müssen die Gabeln der Vorderräder senkrecht zum Boden stehen. Kontrollieren Sie dies.
10. Stellen Sie die Bremsen gemäß § 3.4 ein.

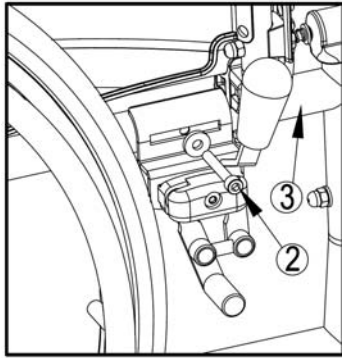
3.4 Einstellen der Bremsen

⚠ WARNUNG: Verletzungsgefahr – Bremsen dürfen nur vom Fachhändler eingestellt werden.

So stellen Sie die Bremsen ein:



1. Bauen Sie die Räder gemäß den Anweisungen in § 2.2 an.
2. Lösen Sie die Bremsen, indem Sie den Hebel ① nach hinten ziehen.

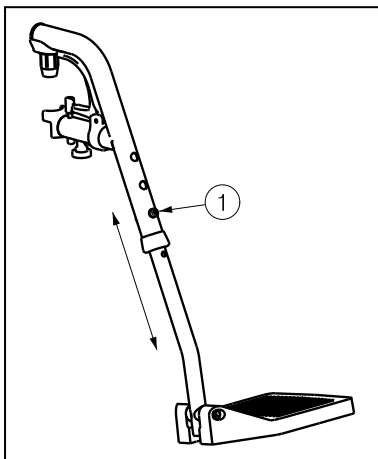


3. Lösen Sie die Schrauben ②, so dass der Bremsmechanismus über die Führung ③ geschoben werden kann.
4. Ziehen Sie den Bremsmechanismus über die Führung ③ in die gewünschte Position.
5. Ziehen Sie die Schrauben ② wieder fest.
6. Prüfen Sie die ordnungsgemäße Funktion der Bremsen.
7. Wiederholen Sie ggf. die oben beschriebenen Schritte, bis die Bremsen ordnungsgemäß justiert sind.

3.5 Einstellen der Fußauflage

3.5.1 Länge der Fußauflage

⚠ VORSICHT: Risiko der Beschädigung – Achten Sie darauf, dass die Fußplatte den Boden nicht berührt. Achten Sie auf einen Abstand von mindestens 60 mm zwischen der Fußauflage und dem Boden.



So stellen Sie die Länge der Fußauflage ein (3 mögliche Positionen: Schritte von 35 mm → Bohrungen Außenrohr, 6 mögliche Positionen: Schritte von 25 mm → Innenrohr):

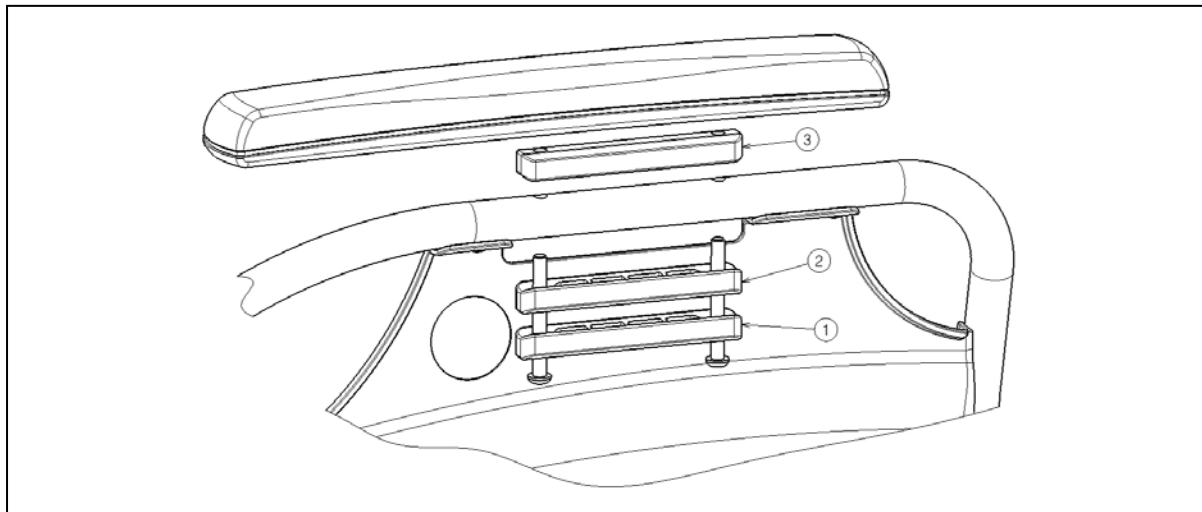
1. Entfernen Sie die Schraube ①.
2. Stellen Sie die Fußauflage auf eine angenehme Länge ein.
3. Setzen Sie die Schraube ① wieder ein und ziehen diese handfest an.

3.6 Einstellen der Armpolster

Die Armpolster Ihres Rollstuhls können in der Höhe und der Tiefe verstellt werden. Die Höhe der Armpolster kann dreifach verstellt werden.

Höhe der Armpolster zum Sitz	Anzahl der Blöcke unter dem Rohr	Anzahl der Blöcke zwischen Rohr und Armpolster
220 mm (Standard)	2	1
230 mm	1	2
240 mm	0	3

Tabelle 3: Höhe der Armpolster



Die Tiefe der Armpolster kann dreifach verstellt werden.

Tiefe der Armpolster	Verwendete Bohrungen
Vordere Position	Hinten und Mitte
Mittlere Position (Standard)	Bohrung 2 und 4
Hintere Position	Vorne und Mitte

Tabelle 4: Tiefe der Armpolster

So stellen Sie die Höhe und Tiefe der Armpolster ein:

1. Drehen Sie die beiden Schrauben unter der Armpolster heraus.
2. Platzieren Sie die korrekte Anzahl an Blöcken unterhalb und oberhalb der Rohre (siehe Tabelle 3).
3. Bauen Sie die Armpolster an den entsprechenden Bohrungen ein, um die Einstellung der Tiefe vorzunehmen.

4 **Wartung**

Hinweise zur Wartung der Rollstühle entnehmen Sie bitte der Website von Vermeiren: www.vermeiren.be.

Indice

Premessa.....	2
1 Descrizione del prodotto.....	3
1.1 Destinazione d'uso.....	3
1.2 Specifiche tecniche.....	4
1.3 Schema	5
1.4 Accessori	5
1.5 Posizione della targhetta di identificazione.....	5
1.6 Significato dei simboli	6
1.7 Regole per la sicurezza.....	6
2 Utilizzo	6
2.1 Trasporto della carrozzina	7
2.2 Montaggio delle ruote posteriori	7
2.3 Apertura della carrozzina	7
2.4 Montaggio o rimozione del poggiatesta	7
2.5 Utilizzo dei freni.....	8
2.6 Montaggio o rimozione dei braccioli	8
2.7 Trasferimento della carrozzina all'interno e all'esterno	9
2.8 Posizione corretta della carrozzina.....	10
2.9 Utilizzo della carrozzina.....	10
2.10 Spostamento su superfici in pendenza	10
2.11 Superamento di gradini e scalini	11
2.12 Ripiegare la carrozzina.....	12
2.13 Smontare le ruote	12
2.14 Trasporto in auto	13
2.15 Uso della carrozzina quale sedile su un'autovettura.....	13
3 Installazione e regolazione	15
3.1 Attrezzi	16
3.2 Modalità di consegna	16
3.3 Regolazione dell'altezza del sedile.....	16
3.4 Regolazione dei freni	17
3.5 Regolazione dei poggiatesta	18
3.6 Regolazione dell'imbottitura dei braccioli	18
4 Manutenzione.....	19



Premessa

Ringraziamo per la fiducia accordataci con l'acquisto di una carrozzina di nostra produzione.

Le carrozzine Vermeiren sono il risultato di molti anni di ricerca ed esperienza. Durante lo sviluppo, è stata dedicata attenzione speciale alla facilità d'uso e alla praticità della carrozzina.

La durata prevista della carrozzina di 8 anni dipende fortemente dalla cura e manutenzione che vi si dedicano.

Il presente manuale ha lo scopo di aiutare ad acquisire familiarità con il funzionamento della carrozzina.

Attenersi alle istruzioni operative e di manutenzione costituisce parte integrante della garanzia.

Il manuale riflette gli sviluppi più recenti dei prodotti. Vermeiren si riserva il diritto di apportare modifiche senza preavviso, senza essere tenuta a sostituire o adattare modelli forniti in precedenza.

Per qualsiasi chiarimento, rivolgersi al rivenditore specializzato.

1 Descrizione del prodotto

1.1 Destinazione d'uso

La carrozzina è destinata a persone con difficoltà motorie o incapacità di deambulazione.

La carrozzina è destinata al trasporto di una sola persona.

La carrozzina può essere utilizzata sia all'interno che in spazi esterni.

L'occupante può controllare direttamente il movimento della carrozzina oppure farsi spingere da un accompagnatore.

Le diverse versioni di allestimento degli accessori e la concezione modulare consentono l'utilizzo della carrozzina da parte di persone con impossibilità/difficoltà di deambulazione in seguito a:

- paralisi
- amputazione di arti inferiori
- difetti o deformazioni degli arti inferiori
- contratture o lesioni articolari
- insufficienza cardiaca e cardiocircolatoria
- disturbi dell'equilibrio
- cachessia (deterioramento della massa muscolare)
- e per usi geriatrici.

Nella valutazione delle esigenze personali, si consiglia di tenere in considerazione i seguenti fattori:

- corporatura e peso corporeo (130 kg max)
- condizioni psico-fisiche
- abitazione
- ambiente

La carrozzina deve essere utilizzata solo su superfici che consentono il contatto adeguato delle quattro ruote e dove sia possibile spingere in modo uniforme le ruote.

Esercitarsi nella guida su superfici sconnesse (ciottoli, ecc.), pendenze, curve e nel superamento di ostacoli (scalini, ecc.).

Non utilizzare la carrozzina come scala, né per trasportare oggetti pesanti o caldi.

Se utilizzata su pavimenti con tappeti, moquette o rivestimenti, questi potrebbero venire danneggiati.

Utilizzare solo gli accessori approvati da Vermeiren.


La casa costruttrice non può essere ritenuta responsabile per danni causati da mancanza di manutenzione adeguata o risultanti dal mancato rispetto delle istruzioni contenute nel presente manuale.

La conformità con le istruzioni operative e di manutenzione è parte integrante della garanzia.

1.2 Specifiche tecniche

I termini tecnici riportati di seguito sono applicabili alla carrozzina con configurazione standard.

Se sono utilizzati altri poggiatesta/ braccioli o accessori, i valori in tabella cambiano.

Produttore	Vermeiren							
Indirizzo	Vermeirenplein 1/15, B-2920 Kalmthout							
Tipo	Carrozzina manuale 							
Modello	D100							
Peso massimo dell'occupante	130 kg							
Descrizione	Dimensioni							
Larghezza effettiva del sedile	380 mm	400 mm	420 mm	440 mm	460 mm	480 mm	500 mm	520 mm
Larghezza complessiva (in base alla larghezza del sedile)	580 mm	600 mm	620 mm	640 mm	660 mm	680 mm	700 mm	720 mm
Descrizione	Dimensioni minime				Dimensioni massime			
Lunghezza complessiva con bracciolo	1010 mm							
Lunghezza ripiegata	1010 mm							
Larghezza ripiegata	300 mm							
Altezza ripiegata	880 mm				940 mm			
Peso totale	18 kg							
Massa della parte più pesante	10,5 kg							
Stabilità statica in discesa	16° (in configurazione standard)							
Stabilità statica in salita	12° (in configurazione standard)							
Stabilità statica laterale	20° (in configurazione standard)							
Pendenza massima consentita	12°							
Superamento degli ostacoli	60 mm							
Inclinazione del piano del sedile	5°							
Profondità effettiva del sedile	430 mm							
Altezza della superficie del sedile all'estremità anteriore	470 mm				530 mm			
Inclinazione dello schienale	5°							
Altezza dello schienale	420 mm							
Distanza tra poggiatesta e sedile	385 mm				455 mm			
Angolazione tra sedile e poggiatesta	8°							
Distanza tra braccioli e sedile	220 mm				240 mm			
Posizione anteriore della struttura del bracciolo	410 mm							
Diametro dei corrimano	535 mm							
Posizione orizzontale dell'asse (deflessione)	37 mm							
Raggio di sterzata minimo	1500 mm							
Diametro delle ruote posteriori in PU	22"				24"			
Diametro delle ruote direttrici in PU	200 mm							
Temperatura per utilizzo e conservazione	+ 5 °C				+ 41 °C			

Umidità per utilizzo e conservazione	30%	70%
La casa produttrice si riserva il diritto di apportare modifiche tecniche. Tolleranza misurazioni ± 15 mm / 1,5 kg / °		

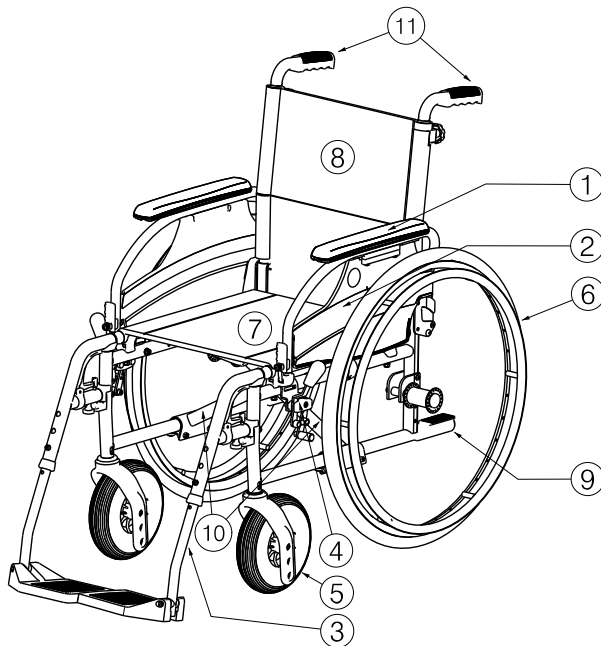
Tabella 1: Specifiche tecniche

La carrozzina è conforme ai requisiti stabiliti dalle normative:

ISO 7176-8: Requisiti e test per prove di stabilità, d'urto e di fatica.

ISO 7176-16: Resistenza infiammabilità delle parti imbottite.

1.3 Schema



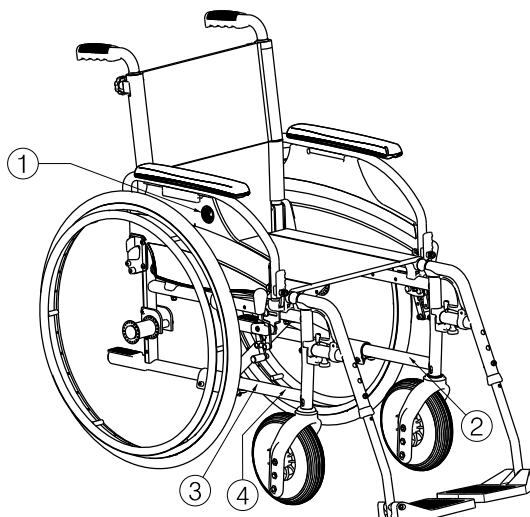
- 1 = Imbottiture dei braccioli
- 2 = Braccioli
- 3 = Poggiatesta
- 4 = Freni
- 5 = Ruote direzionali (ruote anteriori)
- 6 = Ruote motrici (ruote posteriori)
- 7 = Sedile
- 8 = Schienale
- 9 = Leva di ribaltamento
- 10 = Crociera
- 11 = Impugnature

1.4 Accessori

Per il modello D100 sono disponibili gli accessori seguenti:

- Cintura pelvica anteriore (B20) per il montaggio sui tubi posteriori (vedere il manuale adatto)
- Dispositivo antiribaltamento (B78) per il montaggio sul telaio inferiore (vedere il manuale adatto)

1.5 Posizione della targhetta di identificazione



- 1 = Logo Vermeiren
- 2 = Targhetta di identificazione
- 3 = Nome Vermeiren
- 4 = Taxi ganci

1.6 Significato dei simboli



Peso massimo



Utilizzo interno ed esterno



Pendenza massima consentita



Conformità CE



Modello

1.7 Regole per la sicurezza

- ⚠ Verificare che nessun oggetto o parte del corpo finisca tra i raggi delle ruote motrici onde evitare lesioni e/o danni alla sedia a rotelle.
- ⚠ Prima di salire o scendere dalla carrozzina, innestare i freni di stazionamento.
- ⚠ Per salire e scendere dalla carrozzina non utilizzare le pedane come punto di appoggio. Piegare le pedane verso l'alto o ruotare i poggiatesta completamente in modo che siano fuori dal raggio di movimento.
- ⚠ Verificare gli effetti dello spostamento del centro di gravità sulla carrozzina, ad esempio quando ci si trova su pendenze verso l'alto o verso il basso, su superfici inclinate lateralmente o durante il superamento di ostacoli. Chiedere assistenza a un accompagnatore.
- ⚠ Se si desidera raccogliere un oggetto da terra (di fronte, a lato o sul retro della carrozzina) fare attenzione a non chinarsi eccessivamente con rischio di ribaltamento.
- ⚠ Nel passaggio attraverso porte o archi, assicurarsi che sia disponibile spazio laterale sufficiente da evitare il rischio di schiacciamento delle mani o delle braccia o di danneggiamento della carrozzina.
- ⚠ Attenersi alle istruzioni d'uso della carrozzina. Evitare, ad esempio, di procedere senza frenare verso ostacoli (gradini, spigoli, soglie, ecc.) o dislivelli. La casa produttrice declina ogni e qualsiasi responsabilità per danni o lesioni derivanti da sovraccarico, collisioni o altri usi impropri.
- ⚠ Affrontare le scale solo con l'aiuto di un'assistente. Se disponibili, servirsi degli appositi sistemi e dispositivi, quali rampe o ascensori.
- ⚠ Nella marcia su strada, rispettare il codice della strada.
- ⚠ Come per tutti gli altri veicoli, è vietata la guida in stato di ebbrezza o sotto l'influsso di farmaci o droghe. Ciò vale anche per spostamenti in ambienti interni.
- ⚠ In ambienti esterni, tenere conto delle condizioni atmosferiche e del traffico.
- ⚠ Per poter essere visibili nell'oscurità, indossare abiti chiari o dotati di catarifrangenti e verificare che i catadiottri presenti sui lati e sul retro della carrozzina, siano perfettamente visibili.
- ⚠ Non superare mai il carico massimo di 130 kg.

2 Utilizzo

Nel capitolo viene descritto l'utilizzo quotidiano. **Le presenti istruzioni sono destinate all'utente e al rivenditore specializzato.**

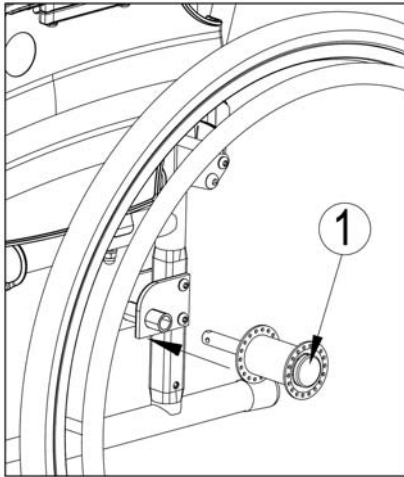
La carrozzina viene fornita completamente assemblata dal rivenditore. Le istruzioni destinate al rivenditore, relative alla configurazione della carrozzina sono descritte al punto § 3.

2.1 Trasporto della carrozzina

Il modo migliore per trasportare la carrozzina è facendola scorrere usufruendo delle ruote.

Se ciò non è possibile (per es. quando le ruote posteriori sono state tolte per il trasporto in auto), afferrare saldamente il telaio dalla parte anteriore e dalle impugnature. Non utilizzare la parte inferiore, i braccioli o le ruote per afferrare la carrozzina.

2.2 Montaggio delle ruote posteriori



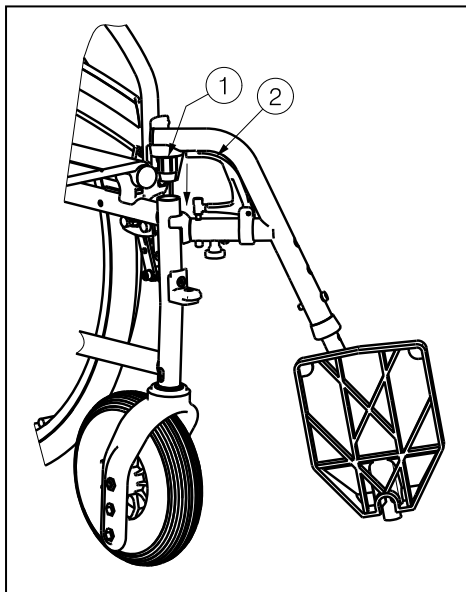
1. Afferrare la ruota posteriore e premere il pulsante ①.
2. Tenere premuto il pulsante e montare l'asse delle ruote posteriori fino al punto d'arresto.
3. Rilasciare il pulsante.
4. Verificare che le ruote siano fissate.

2.3 Apertura della carrozzina

⚠ ATTENZIONE: rischio di intrappolamento - Allontanare le dita dalle parti mobili della carrozzina.

1. Posizionarsi dietro la carrozzina.
2. Utilizzare le impugnature per aprire la carrozzina il più possibile.
3. Posizionarsi davanti alla carrozzina.
4. Premere entrambi i profilati tubolari della seduta verso il basso fino a quando non risultano fissati nella posizione corretta.

2.4 Montaggio o rimozione del poggiatesta



Montare il poggiatesta nel modo seguente:

1. Reggere il poggiatesta lateralmente dalla parte esterna del telaio della carrozzina e montare la chiusura del profilato tubolare ① sul telaio.
2. Ruotare della pedana verso l'interno fino a quando non scatta nella posizione corretta.
3. Ruotare la pedana verso il basso.

Per rimuovere i poggiatesta:

1. Tirare l'impugnatura ②.
2. Ruotare il poggiatesta verso l'esterno della carrozzina finché non si sgancia dalla guida.
3. Sfilare la pedana dalla chiusura del profilato tubolare ①.

2.5 Utilizzo dei freni

- ⚠ **AVVERTENZA:** Non utilizzare i freni per rallentare la carrozzina durante la marcia, utilizzarli solo per prevenire movimenti indesiderati della carrozzina.
- ⚠ **AVVERTENZA:** Sull'adeguato funzionamento dei freni incidono l'usura e la mancanza di pulizia delle ruote, ad esempio presenza di acqua, olio o fango. Verificare le condizioni delle ruote prima di ogni utilizzo.
- ⚠ **AVVERTENZA:** I freni sono regolabili e possono usurarsi. Verificare il funzionamento dei freni prima di ogni utilizzo.
- ⚠ **AVVERTENZA:** Rischio di intrappolamento - Non toccare il telaio della carrozzina con le mani o le dita quando si regolano i freni.

Per frenare:

1. Spingere le impugnature dei freni in avanti fino a sentire un clic distinto.
- ⚠ **ATTENZIONE:** Rischio di movimenti indesiderati - Accertarsi che la carrozzina sia su una superficie piana prima di rilasciare i freni. Non rilasciare mai entrambi i freni contemporaneamente.

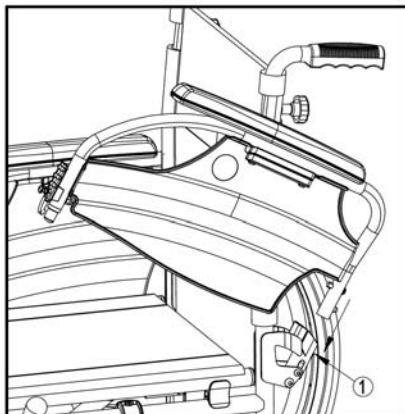
Per rilasciare i freni:

1. Rilasciare un freno tirando l'impugnatura all'indietro.
2. Reggere il corrimano della ruota di rilascio con la mano.
3. Rilasciare l'altro freno tirando le impugnature all'indietro.

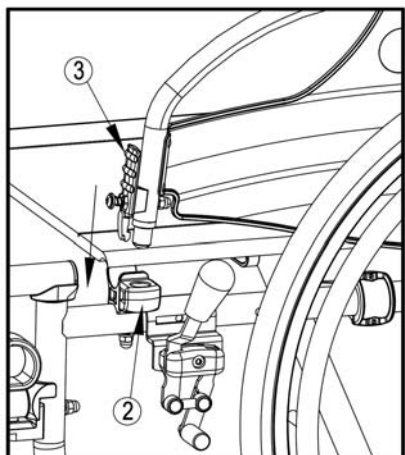
2.6 Montaggio o rimozione dei braccioli

Per montare i braccioli, attenersi alle istruzioni indicate di seguito.

- ⚠ **ATTENZIONE:** Rischio di schiacciamento - Tenere dita, indumenti, cinture lontano dalla parte inferiore dei braccioli.
- ⚠ **ATTENZIONE:** Rischio di intrappolamento – Fare attenzione che le dita non siano posizionate tra le ruote posteriori e i fianchetti laterali dei braccioli.

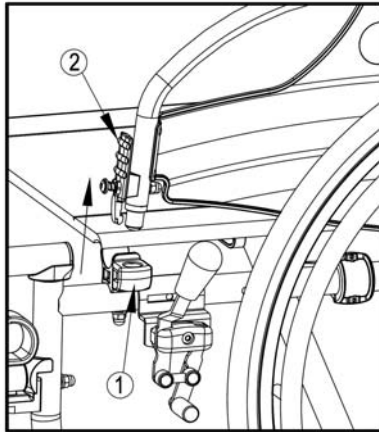


1. Montare il tubo posteriore del bracciolo sul coperchio del tubo ①.
2. Accertarsi che il bracciolo scatti nel meccanismo di blocco.
3. Piegare in avanti il bracciolo.



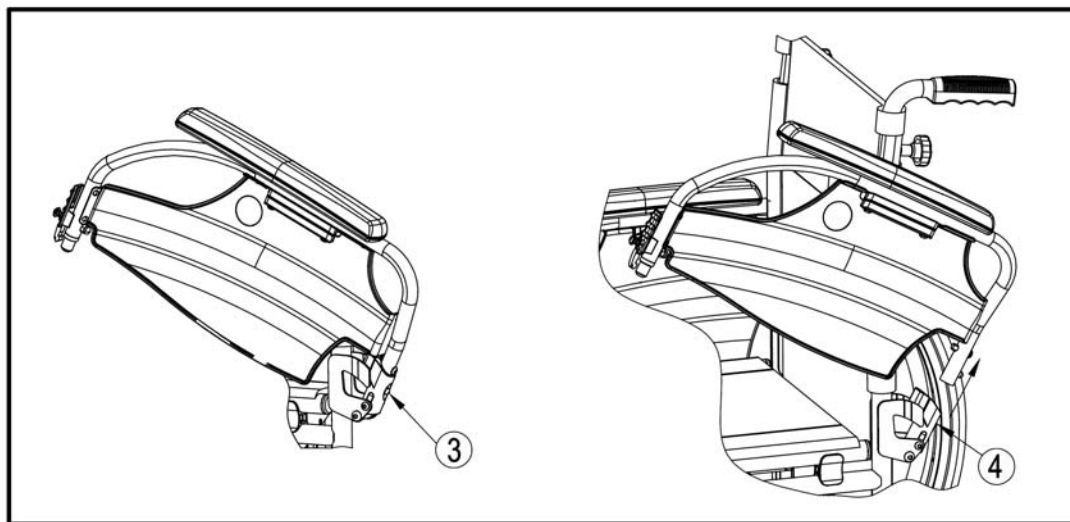
4. Far scattare il tubo anteriore del bracciolo sul coperchio del tubo ②.

Per aprire e rimuovere il bracciolo:



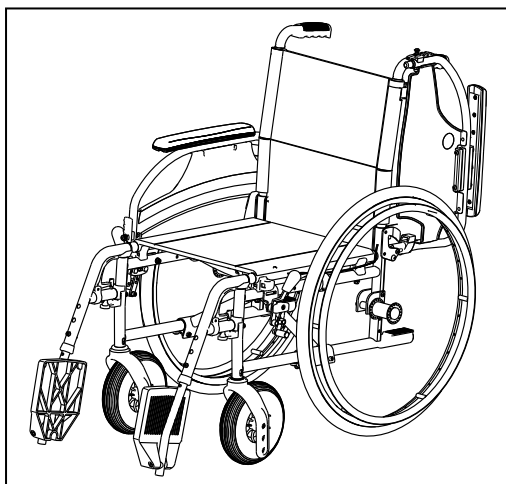
1. Premere la leva ① e tirare la parte anteriore del bracciolo verso l'alto.
2. Piegare all'indietro il bracciolo.

3. Per rimuovere il bracciolo, premere il pulsante ③ e tirare la parte posteriore del braccioli dal coperchio del tubo ④.



2.7 Trasferimento della carrozzina all'interno e all'esterno

- ⚠ **ATTENZIONE:** Nel caso in cui non si riesca a eseguire il trasferimento in modo sicuro, chiedere assistenza.
- ⚠ **ATTENZIONE:** Rischio di ribaltamento della carrozzina - Non stare in piedi sui pedana.



1. Posizionare la carrozzina il più vicino possibile alla sedia, alla poltrona o al letto verso il quale si desidera trasferire il paziente.
2. Verificare che entrambi i freni della carrozzina siano attivati.
3. Ripiegare le pedane verso l'alto per evitare di reggersi in piedi sopra di esse.
4. Se il trasferimento avviene dalla parte laterale della carrozzina, ripiegare il braccioli che si trova da quel lato verso l'alto. (vedere § 2.6)
5. Trasferimento da/verso la carrozzina.

2.8 Posizione corretta della carrozzina

Alcuni consigli per un utilizzo confortevole della carrozzina:

- Posizionare la parte posteriore il più vicino possibile allo schienale.
- Accertarsi che le cosce siano in posizione orizzontale, se necessario regolare la lunghezza dei poggiatesta. (vedere § 3.5)

2.9 Utilizzo della carrozzina

- ⚠ **AVVERTENZA:** Rischio di intrappolamento - Prestare attenzione a non impigliare le dita nei raggi delle ruote.
- ⚠ **AVVERTENZA:** Rischio di intrappolamento – Fare attenzione a non posizionare le dita tra lo scorrimento e la ruota posteriore.
- ⚠ **AVVERTENZA:** Rischio di intrappolamento – Prestare attenzione durante il passaggio in spazi ristretti, ad esempio attraverso le porte.
- ⚠ **AVVERTENZA:** Pericolo di ustioni - Prestare attenzione durante l'uso in ambienti molto caldi o molto freddi, (esposizione al sole, freddo estremo, sauna, ecc.) per un periodo di tempo prolungato. Le superfici potrebbero assumere la stessa temperatura dell'ambiente in cui si trova la carrozzina.

1. Rilasciare i freni.
2. Portare entrambi i corrimano all'altezza massima.
3. Inclinarsi in avanti e spingere in avanti i corrimano fino a stendere le mani.
4. Far ruotare le mani lentamente all'indietro verso la parte superiore dei corrimano e ripetere il movimento.

2.10 Spostamento su superfici in pendenza

- ⚠ **AVVERTENZA:** Controllare la velocità. Spostarsi sulle pendenze il più lentamente possibile.
- ⚠ **AVVERTENZA:** Tenere in considerazione le capacità dell'accompagnatore. Se l'accompagnatore non ha forza per controllare la carrozzina, attivare i freni.
- ⚠ **AVVERTENZA:** Rischio di ribaltamento . Inclinarsi in avanti per spostare il baricentro in avanti e per migliorare la stabilità.



1. Se disponibile sulla carrozzina, indossare la cintura di sicurezza.
2. Non tentare di spostarsi su superfici in pendenza troppo ripide. Verificare la pendenza massima consentita (in salita e in discesa) nella tabella 1.
3. Chiedere all'accompagnatore un aiuto per spostarsi su superfici in pendenza.
4. Inclinarsi in avanti per spostare il baricentro in avanti.

2.11 Superamento di gradini e scalini

2.11.1 Discesa da gradini e scalini

È possibile scendere da piccoli scalini spostandosi in avanti. Accertarsi che i poggiapiedi non tocchino il suolo.



Un utente esperto può affrontare da solo piccoli gradini o scalini:

⚠ AVVERTENZA: rischio di ribaltamento. Se non si possiede sufficiente esperienza con la carrozzina, richiedere assistenza a un accompagnatore.

1. Spostare l'equilibrio sulle ruote posteriori per ridurre la pressione sulle ruote anteriori.
2. Affrontare gli scalini.

Gli scalini più alti possono essere superati con un accompagnatore:

1. Chiedere all'accompagnatore di inclinare la carrozzina leggermente all'indietro.
2. Superare i gradini procedendo sulle ruote posteriori.
3. Riportare la carrozzina sulle quattro ruote.



Un utente esperto è in grado di affrontare gli scalini da solo. È preferibile procedere all'indietro.

1. Ruotare la carrozzina in modo che le ruote posteriori siano di fronte allo scalino.
2. Inclinarsi in avanti per spostare il baricentro in avanti.
3. Portare la carrozzina vicino agli scalini.
4. Con il corrimano far scendere la carrozzina dallo scalino controllandola.

2.11.2 Salita di gradini e scalini

Salire su gradini e scalini con un accompagnatore nel modo seguente:



1. Fare in modo che i poggiapiedi non tocchino lo scalino.
2. Chiedere all'accompagnatore di inclinare la carrozzina all'indietro, in modo sufficiente per consentire alle ruote anteriori di superare lo scalino.
3. Inclinarsi all'indietro per spostare il baricentro sulle ruote posteriori.
4. Portare le ruote anteriori sullo scalino.
5. Far rotolare le ruote posteriori oltre lo scalino.

Gli scalini più alti vanno affrontati all'indietro:

1. Ruotare la carrozzina in modo che le ruote posteriori siano di fronte allo scalino.
2. Inclinarsi all'indietro per spostare il baricentro sulle ruote posteriori.
3. Chiedere all'accompagnatore di spingere la carrozzina verso lo scalino.
4. Assumere nuovamente la posizione normale nella carrozzina.

Un utente esperto è in grado di affrontare gli scalini più alti da solo.

⚠ AVVERTENZA: rischio di ribaltamento. Se non si possiede sufficiente esperienza per controllare la carrozzina, richiedere aiuto a un accompagnatore.



1. Arrivare agli scalini.
2. Accertarsi che i poggiatesta non tocchino gli scalini.
3. Inclinarsi all'indietro per essere in equilibrio sulle ruote



4. Portare l'equilibrio delle ruote anteriori oltre gli scalini.
5. Piegarsi in avanti per una maggiore stabilità.
6. Portare le ruote posteriori oltre gli scalini.

2.11.3 Fare le scale

È possibile salire le scale in carrozzina, adottando le regole che seguono:

⚠ AVVERTENZA: Rischio di ribaltamento. È possibile fare le scale facendosi assistere sempre da due accompagnatori.

1. Rimuovere i poggiatesta.
2. Far inclinare la carrozzina leggermente all'indietro all'accompagnatore.
3. Il secondo accompagnatore deve afferrare la parte anteriore del telaio.
4. Mantenere la calma, evitare movimenti improvvisi e tenere le braccia all'interno della carrozzina.
5. Fare le scale sulle ruote posteriori della carrozzina.
6. Montare nuovamente i poggiatesta dopo aver fatto le scale.

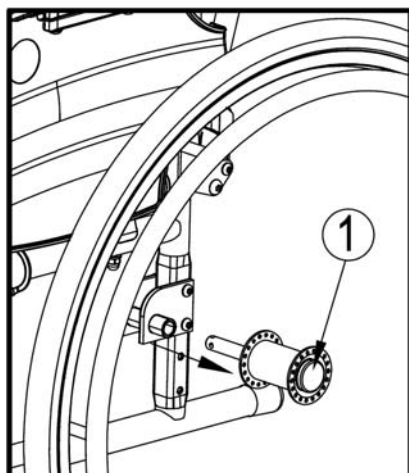
2.12 Ripiegare la carrozzina

⚠ ATTENZIONE: possibilità di pizzicamento - Non infilare le dita tra i componenti della carrozzina.

1. Ripiegare o rimuovere le pedane (vedere la sezione § 2.4).
2. Afferrare il sedile dalla parte anteriore e dallo schienale e tirarlo verso l'alto.

2.13 Smontare le ruote

Per agevolare il trasporto della carrozzina, è possibile rimuovere le ruote posteriori:



1. Accertarsi i freni siano in posizione corretta.
2. Impugnare la carrozzina dal telaio laterale dove si desidera rimuovere la ruota.
3. Premere il pulsante ① al centro del mozzo della ruota.
4. Estrarre la ruota dal telaio.

2.14 *Trasporto in auto*

- ⚠ **AVVERTENZA: Rischio di lesioni - Controllare che la carrozzina sia fissata in modo adeguato, per evitare lesioni ai passeggeri in caso di collisioni o frenate brusche.**
- ⚠ **AVVERTENZA: Rischio di lesioni - NON utilizzare la stessa cintura di sicurezza per il passeggero e per la carrozzina.**

Per il trasporto della carrozzina in auto, attenersi alle istruzioni seguenti:

1. Rimuovere i poggiatesta e gli accessori.
2. Conservare i poggiatesta e gli accessori in un posto sicuro.
3. Se possibile ripiegare la carrozzina e rimuovere le ruote.
4. Sistemare la carrozzina nel portabagagli.
5. Se lo scomparto della carrozzina e del passeggero NON sono separati, collegare il telaio della carrozzina in modo saldo al veicolo. È possibile utilizzare le cinture di sicurezza disponibili nel veicolo.

2.15 *Uso della carrozzina quale sedile su un'autovettura*

- ⚠ **AVVERTENZA: rischio di lesioni - La carrozzina può essere utilizzata solo come sedile su un veicolo quando le maniglie sono abbassate. In tutti gli altri casi questo tipo di utilizzo è vietato.**
- ⚠ **AVVERTENZA: La carrozzina ha superato il test dell'ISO 7176-19: 2008 e, per questo, è stata progettata e testata per essere utilizzata quale sedile su un'autovettura, rivolta in direzione di marcia.**
- ⚠ **AVVERTENZA: La cintura pelvica della carrozzina non è da utilizzarsi come da cintura di sicurezza.**

La carrozzina è testata utilizzando un sistema tirante a quattro punti e un sistema di contenimento per il paziente a tre punti.

Quando però possibile, usare il sedile del veicolo e porre la carrozzina dietro il sedile o nel bagagliaio.

Istruzioni per fissare la carrozzina quale sedile in un'autovettura:

1. Controllare che il veicolo sia dotato di un sistema di fissaggio per carrozzina e di cinture di sicurezza, conforme alla legge ISO 10542.
2. Controllare che i componenti del sistema di fissaggio per carrozzine e le cinture di sicurezza non siano danneggiati, rotti, sfilacciati o rovinati.
3. Se dotata di un sedile regolabile e/o schienale reclinabile, assicurarsi che l'utilizzatore della carrozzina sia seduto in posizione il più eretta possibile. Se le condizioni del paziente non lo consentono, bisognerebbe valutare i rischi per evitare pericoli per il paziente durante il trasporto.
4. Rimuovere tutti gli accessori montati come ad esempio equipaggiamenti respiratori o vassoi, e riporli in un posto sicuro.
5. Posizionare la carrozzina nella stessa direzione di marcia, in centro ai binari montati sul pavimento del veicolo, fissando la carrozzina.
6. Assicurarsi che le zone indicate intorno alla carrozzina siano lontane dalle parti rigide del veicolo.

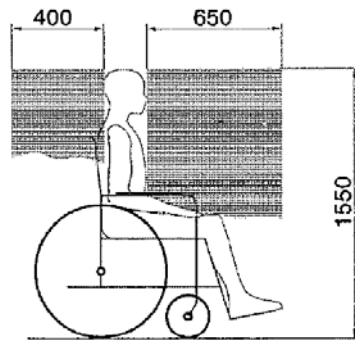


Figura 1

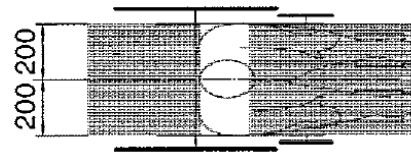


Figura 2

7. Montare le cinture di sicurezza anteriori seguendo le istruzioni del costruttore del sistema di passanti, fino al punto indicato. (figura 3)
Questo punto è segnato con un simbolo (figura 4)
8. Tirare la carrozzina finché le cinture anteriori non sono tese.
9. Applicare i freni della carrozzina.
10. Montare le cinture di sicurezza posteriori seguendo le istruzioni del costruttore del sistema di passanti, fino al punto indicato. (figura 3)
11. Questo punto è segnato con un simbolo (figura 4)

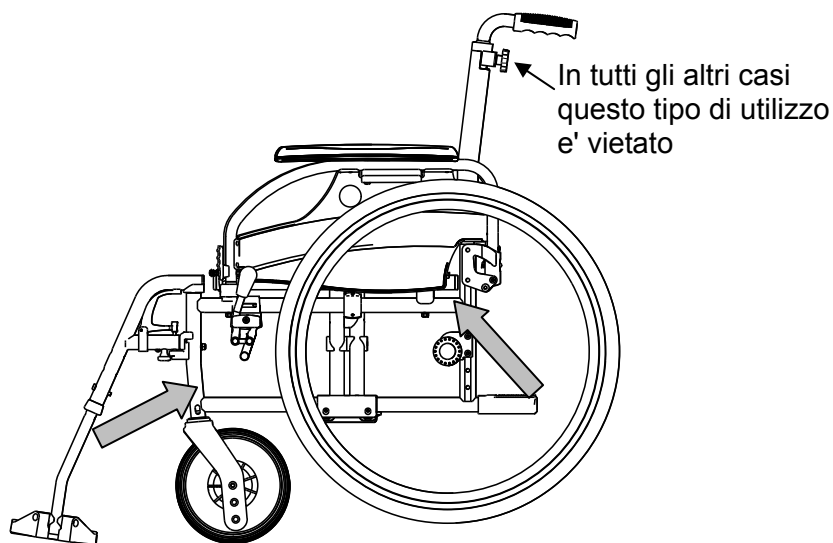


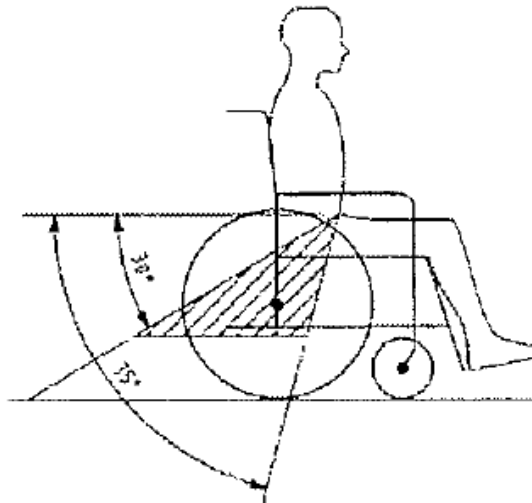
Figura 3



Figura 4

Istruzioni per la sicurezza del paziente:

1. Rimuovere entrambi i braccioli.
2. Se presente, allacciare la cintura pelvica della carrozzina.
3. Allacciare la cintura di sicurezza del paziente seguendo le istruzioni del costruttore del sistema di passanti.
4. Indossare la cintura pelvica da una parte all'altra del bacino, in modo che l'angolo della cintura sia entro la zona dai 30° ai 75° dal piano orizzontale, come mostrato in figura.



5. È preferibile raggiungere un angolo maggiore per la zona indicata.
6. Stringere la cintura come da istruzioni del costruttore del sistema di passanti, secondo il comfort del paziente.
7. Assicurarci che la cintura di sicurezza sia attaccata in linea retta al punto di ancoraggio nel veicolo e che nessuna piega sia visibile nella cintura, ad esempio nell'asse della ruota posteriore.
8. Installare i braccioli, se desiderati. Assicurarci che le cinture non siano attorcigliate o costrette lontano dal corpo a causa di componenti della carrozzina come braccioli o ruote.



3 Installazione e regolazione

Le istruzioni contenute nel presente capitolo sono destinate al rivenditore.

La carrozzina Vermeiren D100 è stata messa a punto per essere regolata con un numero minimo di parti di ricambio. Non è necessario un altro set di parti di ricambio.

Per individuare il centro assistenza o il rivenditore specializzato più vicino, contattare il centro Vermeiren. Nell'ultima pagina del manuale, è disponibile un elenco di centri Vermeiren autorizzati.

- ⚠ **AVVERTENZA:** Rischio di regolazioni non sicure - Utilizzare solo le regolazioni descritte in questo manuale.
- ⚠ **AVVERTENZA:** La modifica delle regolazioni consentite può determinare una variazione nella stabilità della carrozzina (ribaltamento all'indietro o laterale).

3.1 Attrezzi

Per montare la carrozzina sono necessari i seguenti strumenti.

- Set di chiavi dal n° 7 al n° 22
- Set di chiavi a brugola dal n° 3 al n° 8
- Cacciavite n° 4 e n° 5
- Cacciavite a stella

3.2 Modalità di consegna

La carrozzina Vermeiren D100 può essere distribuita con:

- 1 telaio con braccioli, ruote anteriori e posteriori (altezza del sedile 500 mm)
- 1 coppia di pedane
- Attrezzi
- Manuale
- Accessori

3.3 Regolazione dell'altezza del sedile

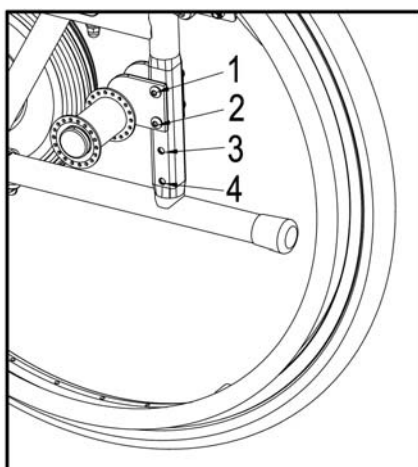
La profondità del sedile della carrozzina Vermeiren D100 è regolabile in tre posizioni modificando la posizione delle ruote. Per ciascuna altezza è prevista una diversa regolazione delle ruote anteriori e posteriori.

⚠ AVVERTENZA: il foro superiore della piastra dell'asse non è destinato al montaggio dell'asse posteriore, bensì serve per il montaggio del freno a tamburo.

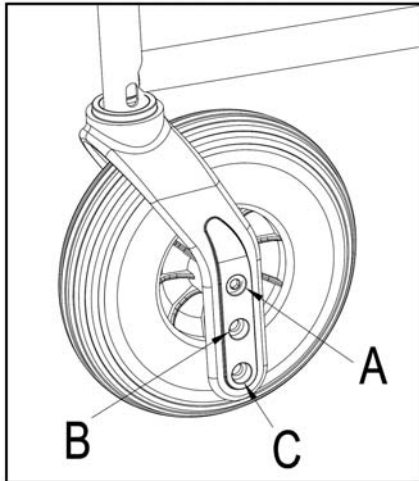
Altezza del sedile	Ruota posteriore	Ruota anteriore
470 mm	Foro 1 e foro 2	Foro A
500 mm (Standard)	Foro 2 e foro 3	Foro B
530 mm	Foro 3 e foro 4	Foro C

Tabella 2: Altezze del sedile

Modificare l'altezza del sedile adottando la procedura seguente:



1. Rimuovere le ruote posteriori (vedere § 2.13).
2. Rimuovere la vite dalla piastra.
3. Montare la piastra nel foro destro della telaio laterale, vedere Tabella 2.
4. Verificare che le boccole dell'asse siano strette in modo saldo.

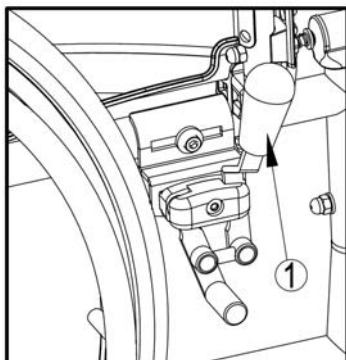


5. Rimuovere la vite dalla forcella anteriori e delle ruote.
6. Sistemare in base a quanto riportato nella tabella 2.
7. Montare le ruote anteriori e stringerle. Verificare che ruotino senza problemi, ma che non sia presente spazio per il movimento.
8. Montare le ruote posteriori.
9. Se installati correttamente la forcella delle ruote anteriori devono essere perpendicolare al suolo. Verificare che lo siano. Verificare che lo siano.
10. Regolare i freni in base a quanto riportato nella sezione § 3.4.

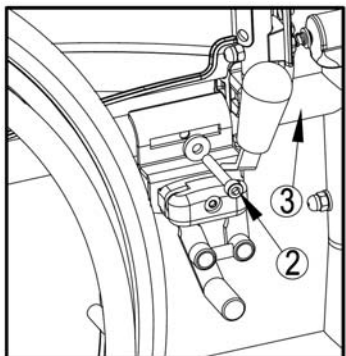
3.4 Regolazione dei freni

⚠ AVVERTENZA: rischio di lesione. I freni devono essere regolati solo dal rivenditore specializzato.

Regolare i freni rispettando ai criteri seguenti:



1. Installare le ruote in base alle indicazioni della sezione § 2.2.
2. Sganciare i freni tirando la leva ① all'indietro.

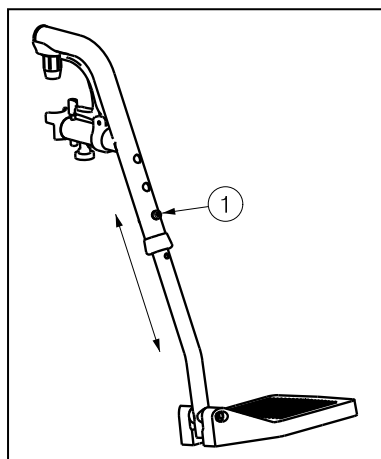


3. Allentare i bulloni ② in modo che il meccanismo del freno possa scorrere oltre la guida ③.
4. Tirare il freno oltre la guida ③ fino alla posizione desiderata.
5. Serrare nuovamente i bulloni ②.
6. Verificare il funzionamento dei freni.
7. Se necessario, ripetere i passaggi precedenti fino a ottenere una regolazione appropriata.

3.5 Regolazione dei poggipiedi

3.5.1 Lunghezza dei poggipiedi

⚠ ATTENZIONE: rischio di danneggiamento - Evitare che il poggipiedi siano a contatto con il suolo. Tenere una distanza minima di 60 mm dal suolo.



È possibile regolare la lunghezza delle pedane adottando la procedura seguente: (tre posizioni possibile: ogni 35 mm → fori all'esterno del tubo, 6 posizioni possibile: ogni 25 mm → tubo interno):

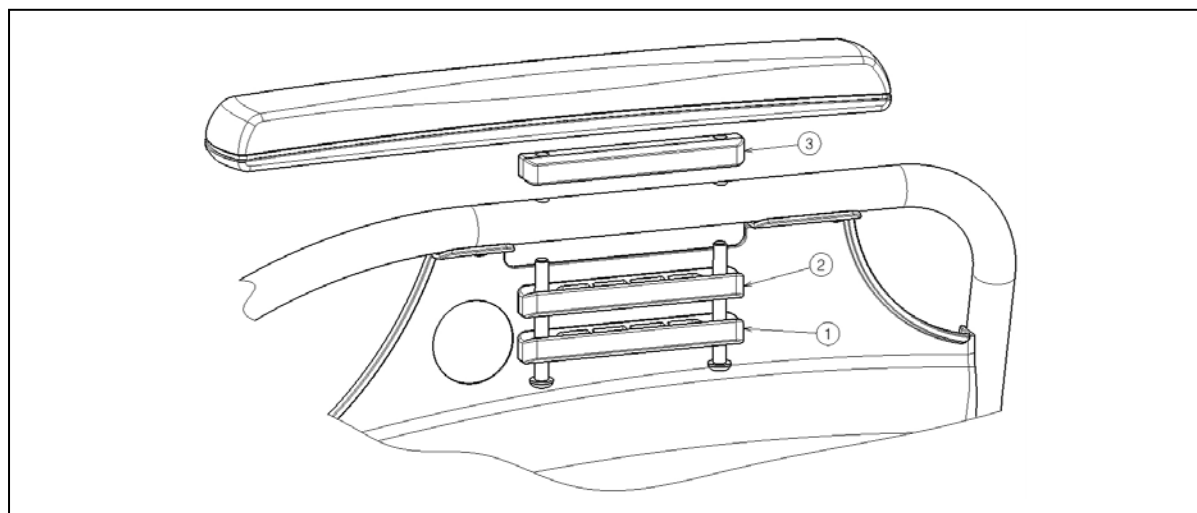
1. Rimuovere la vite ①.
2. Regolare il poggipiedi a un'altezza confortevole per il paziente.
3. Serrare la vite ① in modo adeguato.

3.6 Regolazione dell'imbottitura dei braccioli

È possibile regolare l'imbottitura dei braccioli della carrozzina in altezza e in profondità. L'altezza dell'imbottitura dei braccioli è regolabile in tre posizioni.

Altezza dell'imbottitura dei braccioli rispetto al sedile	Numero di blocchi sotto il tubo	Numero di blocchi tra il tubo e i imbottiture dei braccioli
220 mm (Standard)	2	1
230 mm	1	2
240 mm	0	3

Tabella 3: Altezza dell'imbottitura dei braccioli



La profondità del imbottiture dei braccioli è regolabile in tre posizioni.

Profondità del imbottiture dei braccioli		Fori utilizzati	
Posizione anteriore		Posteriore e centrale	
Posizione centrale (standard)		Foro 2 e 4	
Posizione posteriore		Anteriore e centrale	

Tabella 4: Profondità del bracciolo

Regolare l'altezza e la profondità del imbottiture dei braccioli nel modo seguente:

1. Rimuovere entrambe le viti che si trovano sotto il imbottiture dei braccioli.
2. Sistemare il numero corretto di blocchi sotto e sopra i tubi, vedere la tabella 3.
3. Installare il imbottiture dei braccioli con i fori richiesti per la regolazione della profondità.

4 Manutenzione

Per il manuale di manutenzione della carrozzine consultate il sito web Vermeiren:
www.vermeiren.be.

Índice**ES**

Introducción.....	2
1 Descripción del producto	3
1.1 Uso previsto.....	3
1.2 Especificaciones técnicas	4
1.3 Esquema	5
1.4 Accesorios	5
1.5 Placa de identificación de ubicaciones.....	5
1.6 Explicación de los símbolos.....	6
1.7 Normas de seguridad.....	6
2 Uso.....	6
2.1 Transporte de la silla de ruedas	7
2.2 Montaje de las ruedas traseras.....	7
2.3 Despliegue de la silla de ruedas	7
2.4 Montaje y desmontaje del reposapiés.....	7
2.5 Accionamiento de los frenos	8
2.6 Montaje y desmontaje de los reposabrazos	8
2.7 Traslado a la silla de ruedas y desde esta	10
2.8 Posición correcta en la silla de ruedas.....	10
2.9 Conducción de la silla de ruedas	10
2.10 Desplazamiento por pendientes.....	10
2.11 Franqueo de peldaños y bordillos.....	11
2.12 Plegado de la silla de ruedas	12
2.13 Extracción de las ruedas	13
2.14 Transporte en coche.....	13
2.15 Uso de la silla de ruedas como asiento en un vehículo de motor.....	13
3 Instalación y ajuste	15
3.1 Herramientas	16
3.2 Forma de suministro.....	16
3.3 Ajuste de la altura del asiento	16
3.4 Ajuste de los frenos.....	17
3.5 Ajuste del reposapiés.....	18
3.6 Ajuste de la almohadilla del reposabrazos	18
4 Mantenimiento	19



Introducción

ES

En primer lugar, nos gustaría agradecerle que haya confiado en nosotros escogiendo una de nuestras sillas de ruedas.

Las sillas de ruedas Vermeiren son el resultado de muchos años de experiencia e investigación. Durante su desarrollo, hemos puesto especial atención en crear una silla de ruedas práctica y fácil de usar.

La vida útil de ocho años de su silla de ruedas dependerá en gran medida de los cuidados y el mantenimiento que le dedique.

Este manual le permitirá familiarizarse con el funcionamiento de su silla de ruedas.

El seguimiento de las instrucciones para el usuario y de las instrucciones de mantenimiento es parte indispensable de la garantía.

Este manual incluye las mejoras de producto más recientes. Vermeiren se reserva el derecho de introducir cambios sin tener ninguna obligación de adaptar o sustituir los modelos entregados previamente.

Si tiene más preguntas, le rogamos que consulte a su distribuidor especializado.

1 Descripción del producto

ES

1.1 *Uso previsto*

La silla de ruedas está diseñada para personas con movilidad reducida o nula.

La silla de ruedas está diseñada para transportar 1 persona.

La silla de ruedas puede ser usada en el interior y en el exterior.

El usuario puede propulsar él mismo la silla de ruedas o disponer de un acompañante que la empuje.

Los diferentes tipos de accesorios y su construcción modular permiten que sea usada plenamente por personas discapacitadas debido a:

- parálisis
- pérdida de miembros (amputación de piernas)
- deformaciones o defectos en los miembros
- articulaciones anquilosadas o dañadas
- insuficiencias cardíacas o circulatorias
- problemas de equilibrio
- caquexia (atrofia muscular)
- así como por ancianos

En cada caso particular, también se debe tener en cuenta lo siguiente:

- envergadura y peso (máx. 130 kg)
- estado físico y psicológico
- características de la vivienda
- entorno

Utilice la silla de ruedas únicamente en superficies que permitan que las cuatro ruedas estén en contacto con el suelo y donde haya suficiente contacto para propulsar las ruedas por igual.

Practique para poder desplazarse por superficies irregulares (adoquines, etc.), pendientes, curvas y para superar obstáculos (bordillos, etc.).

La silla de ruedas no debe usarse como escalera, ni tampoco como medio de transporte para objetos pesados o calientes.

Si lo utiliza encima de alfombras, suelos enmoquetados o suelos con recubrimientos que no estén fijados, podría dañar dichos recubrimientos.


Utilice solo los accesorios aprobados de Vermeiren.

El fabricante no asumirá responsabilidad alguna por los daños causados por la falta de mantenimiento, por un mantenimiento inadecuado o si no se siguen las instrucciones indicadas en este manual.

El cumplimiento de las instrucciones del usuario y de mantenimiento es parte indispensable de la garantía.

1.2 Especificaciones técnicas

Las condiciones técnicas indicadas a continuación son válidas para sillas de ruedas de configuración estándar. En caso de utilizar reposapiés/reposabrazos u otros accesorios diferentes a los indicados, los valores cambian.

Fabricante	Vermeiren							
Dirección	Vermeirenplein 1/15, B-2920 Kalmthout							
Tipo	Silla de ruedas manual 							
Modelo	D100							
Peso máximo del ocupante	130 kg							
Descripción	Dimensiones							
Anchura útil del asiento	380 mm	400 mm	420 mm	440 mm	460 mm	480 mm	500 mm	520 mm
Anchura total (depende de la anchura del asiento)	580 mm	600 mm	620 mm	640 mm	660 mm	680 mm	700 mm	720 mm
Descripción	Dimensiones mín.				Dimensiones máx.			
Longitud total con apoya piernas	1010 mm							
Longitud plegada	1010 mm							
Anchura plegada	300 mm							
Altura plegada	880 mm				940 mm			
Peso total	18 kg							
Peso de la parte más pesada	10,5 kg							
Estabilidad estática en pendientes descendentes	16° (con la configuración estándar)							
Estabilidad estática en pendientes ascendentes	12° (con la configuración estándar)							
Estabilidad estática lateral	20° (con la configuración estándar)							
Pendiente máxima segura	12°							
Superación de obstáculos	60 mm							
Ángulo plano del asiento	5°							
Profundidad útil del asiento	430 mm							
Altura de la superficie del asiento en la parte delantera	470 mm				530 mm			
Ángulo del respaldo	5°							
Altura del respaldo	420 mm							
Distancia entre el reposapiés y el asiento	410 mm							
Ángulo entre el asiento y el reposapiés	8°							
Distancia entre el reposabrazos y el asiento	220 mm				240 mm			
Ubicación delantera del armazón del reposabrazo	385 mm				455 mm			
Diámetro del aro de propulsión	535 mm							
Ubicación horizontal del eje (deflexión)	37 mm							
Radio de giro mínimo	1500 mm							
Diámetro de ruedas traseras PUR	22"				24"			
Diámetro de las ruedas de dirección PUR	200 mm							
Temperatura de almacenamiento y de uso	+ 5 °C				+ 41 °C			

Humedad de almacenamiento y de uso	30%	70%
Nos reservamos el derecho a aplicar modificaciones técnicas. Tolerancia de las medidas ± 15 mm / 1,5 kg / °		

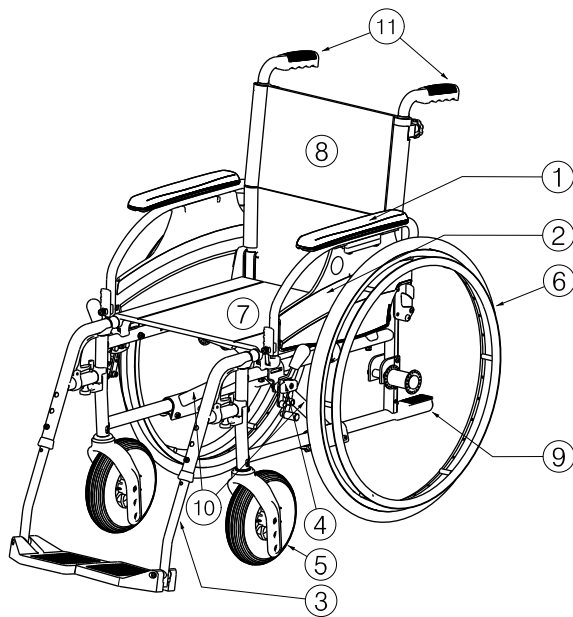
Tabla 1: Especificaciones técnicas

La silla de ruedas cumple las especificaciones siguientes:

ISO 7176-8: Especificaciones y métodos de prueba de resistencia estática, a impactos y a la fatiga.

ISO 7176-16: Resistencia a la ignición de los componentes tapizados.

1.3 Esquema



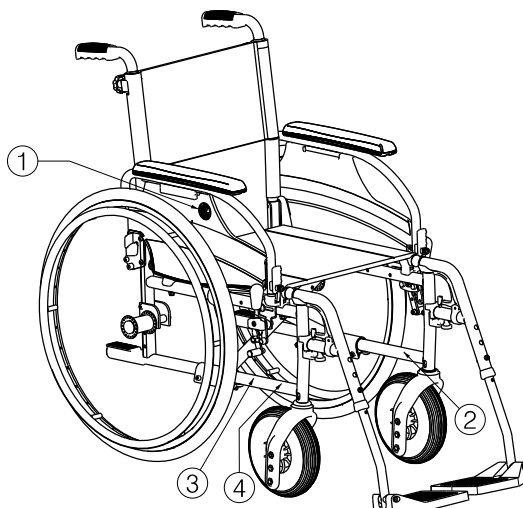
- 1 = Almohadillas del reposabrazos
- 2 = Reposabrazos
- 3 = Reposapiés
- 4 = Frenos
- 5 = Ruedas de dirección (ruedas delanteras)
- 6 = Ruedas de tracción (ruedas traseras)
- 7 = Asiento
- 8 = Respaldo
- 9 = Tapón
- 10 = Cruceta
- 11 = Asideros

1.4 Accesorios

La D100 cuenta con los siguientes accesorios:

- Cinturón pélvico anterior (B20) para su montaje en los tubos de la parte trasera (consulte el manual)
- Antivuelco (B78) para su montaje en el armazón inferior (consulte el manual)

1.5 Placa de identificación de ubicaciones



- 1 = Logo Vermeiren
- 2 = Placa de identificación
- 3 = Nombre Vermeiren
- 4 = Taxi ganchos

1.6 Explicación de los símbolos



Peso máximo



Uso en el interior y en el exterior



Pendiente máxima segura



Conformidad con la normativa CE



Designación de tipo

1.7 Normas de seguridad

- ⚠ Para evitar lesiones o daños en su silla de ruedas, asegúrese de que no haya objetos ni ninguna parte del cuerpo atrapados en los radios de las ruedas de tracción.
- ⚠ Los frenos de estacionamiento deben ajustarse antes de sentarse o levantarse de la silla de ruedas.
- ⚠ Al sentarse y levantarse de la silla de ruedas, no se ponga de pie sobre las bases del reposapiés. Primero debería plegar la base del reposapiés hacia arriba, o el reposapiés deberían girarse completamente hacia fuera.
- ⚠ Investigue el efecto de los cambios de centro de gravedad en el comportamiento de la silla de ruedas, por ejemplo en pendientes ascendentes o descendientes, terrenos con pendientes laterales o al superar obstáculos. Obtenga ayuda de un acompañante.
- ⚠ Si desea alcanzar algo (ya sea inclinándose hacia delante, hacia detrás o hacia un lateral de la silla de ruedas), procure no inclinarse demasiado para no correr el riesgo de caerse.
- ⚠ Cuando se desplace a través de puertas, arcos o zonas similares, asegúrese de que haya suficiente espacio en los laterales para que las manos o los brazos no queden atrapados ni aplastados, y para no dañar la silla de ruedas.
- ⚠ Utilice la silla de ruedas solo de acuerdo con las instrucciones. Por ejemplo, evite rodar de forma incontrolada y golpear contra algún obstáculo (escalones, bordillos, marcos de las puertas, etc.) o dejarse caer desde bordillos. El fabricante no se hace responsable de los daños por sobrecarga, colisión u otro uso indebido.
- ⚠ Las escaleras solo deben franquearse con la ayuda de otra persona. Si hay disponibles instalaciones para facilitar el paso, como rampas o ascensores, utilícelas.
- ⚠ Al circular por vías públicas, está sujeto a las normas de tráfico.
- ⚠ No conduzca la silla de ruedas bajo la influencia del alcohol ni ningún medicamento, como es el caso al conducir otros vehículos. Esto también se aplica a la conducción en espacios interiores.
- ⚠ Al circular por el exterior, adapte la conducción a las condiciones climáticas y de tráfico.
- ⚠ Para ser más visible al circular de noche, lleve ropa de colores vistosos o equipada con reflectores, y compruebe que los reflectores montados en los laterales y en la parte trasera de la silla de ruedas sean bien visibles.
- ⚠ No supere nunca la carga máxima (130 kg).

2 Uso

Este capítulo describe el uso diario. **Estas instrucciones están destinadas al usuario y a los distribuidores especializados.**

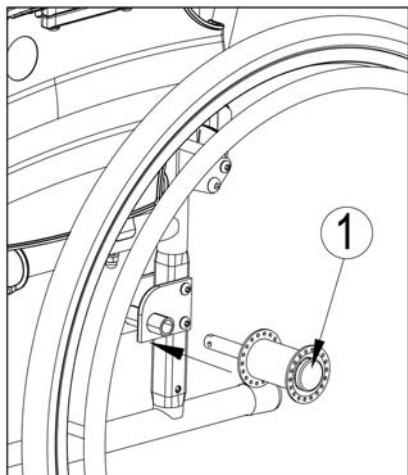
La silla de ruedas se entrega completamente montada por su distribuidor especializado. Las instrucciones dirigidas al distribuidor especializado con respecto al montaje de la silla de ruedas se encuentran en el capítulo 3.

2.1 Transporte de la silla de ruedas

La mejor forma de transportar la silla es empujarla y utilizar las ruedas.

Si no es posible (porque haya que levantar las ruedas traseras para cargarla en un coche, por ejemplo), cójala por el armazón delantero y por los asideros. No la agarre por los reposabrazos, reposapiés ni por las ruedas.

2.2 Montaje de las ruedas traseras



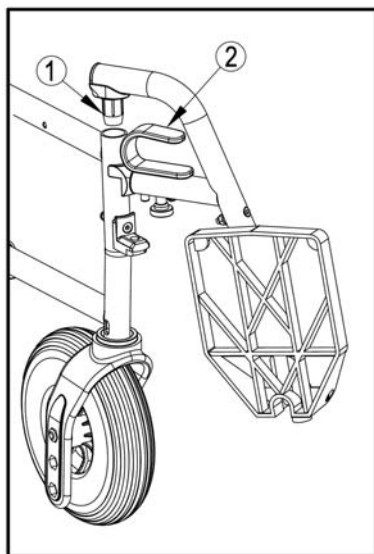
1. Sujete la rueda trasera y presione el botón ①.
2. Mantenga el botón presionado y monte el eje de las ruedas traseras hasta el tope.
3. Suelte el botón.
4. Compruebe que las ruedas están seguras.

2.3 Despliegue de la silla de ruedas

⚠ PRECAUCIÓN: Riesgo de que los dedos queden atrapados: mantenga los dedos alejados de las partes móviles de la silla de ruedas.

1. Sitúese detrás de la silla de ruedas.
2. Use las empuñaduras para abrir la silla de ruedas tanto como le sea posible.
3. Sitúese delante de la silla de ruedas.
4. Empuje los dos tubos del asiento hacia abajo hasta que queden fijados en su posición.

2.4 Montaje y desmontaje del reposapiés



El montaje del reposapiés se realiza del modo siguiente:

1. Mantenga el reposapiés en posición vertical por la parte externa del armazón de la silla de ruedas e inserte el capuchón del tubo ① en el armazón.
2. Gire el reposapiés hacia el interior hasta que encaje en su posición con un clic.
3. Gire el estribo hacia abajo.

Para retirar los reposapiés:

1. Tire de la empuñadura ②.
2. Gire el reposapiés hacia la parte externa de la silla de ruedas hasta que se afloje de la guía.
3. Saque el reposapiés del capuchón del tubo ①.

2.5 Accionamiento de los frenos

- ⚠ **ADVERTENCIA:** Los frenos no se utilizan para reducir la velocidad de la silla de ruedas durante los movimientos. Utilice los frenos solo para evitar que la silla de ruedas realice movimientos no deseados.
- ⚠ **ADVERTENCIA:** El buen funcionamiento de los frenos depende de su desgaste y de las sustancias presentes en ellas (agua, aceite, barro, etc.). Compruebe las condiciones de las ruedas antes de utilizarlas.
- ⚠ **ADVERTENCIA:** Los frenos se pueden ajustar y pueden desgastarse. Compruebe el funcionamiento de los frenos antes de cada uso.
- ⚠ **ADVERTENCIA:** Riesgo de aplastamiento: - No tocar el chasis de la silla de ruedas con las manos o los dedos cuando se activen o se liberen los frenos.

Para accionar los frenos:

1. Empuje las palancas del freno hacia delante hasta que oiga un clic.
- ⚠ **PRECAUCIÓN:** Riesgo de movimientos no deseados: asegúrese de que la silla de ruedas está en una superficie plana horizontal antes de soltar los frenos. Nunca suelte ambos frenos a la vez.

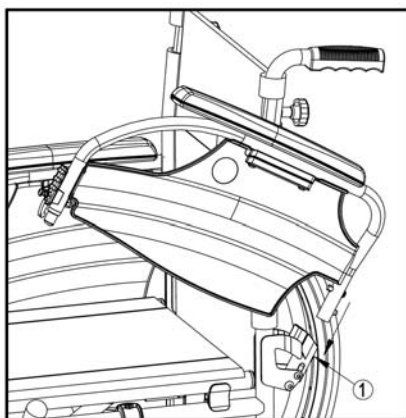
Para soltar los frenos:

1. Tire de la palanca hacia atrás para soltar un freno.
2. Sujete el aro de propulsión de la rueda que haya soltado.
3. Tire de la palanca del segundo freno hacia atrás.

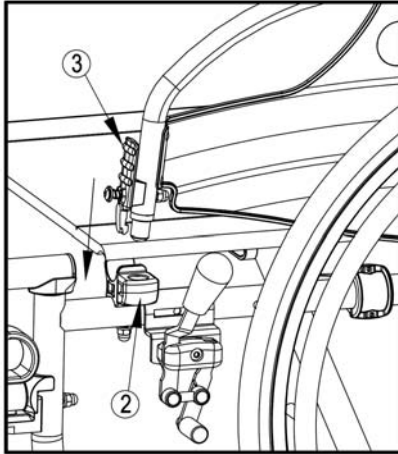
2.6 Montaje y desmontaje de los reposabrazos

Para montar los reposabrazos de la silla de ruedas, siga las instrucciones que aparecen a continuación.

- ⚠ **PRECAUCIÓN:** Riesgo de aplastamiento: mantenga los dedos, las hebillas y la ropa alejados de la parte inferior del reposabrazos.
- ⚠ **PRECAUCIÓN:** Riesgo de aplastamiento: tenga cuidado que los dedos o manos no queden atrapados entre las ruedas traseras y la parte lateral de los reposabrazos.

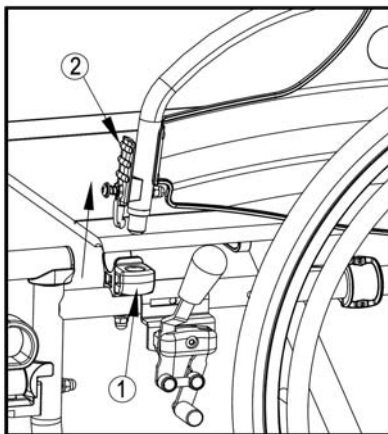


1. Monte el tubo posterior del reposabrazos en el capuchón del tubo ①.
2. Asegúrese de que el reposabrazos hace clic en el mecanismo de bloqueo.
3. Pliegue el reposabrazos hacia delante.



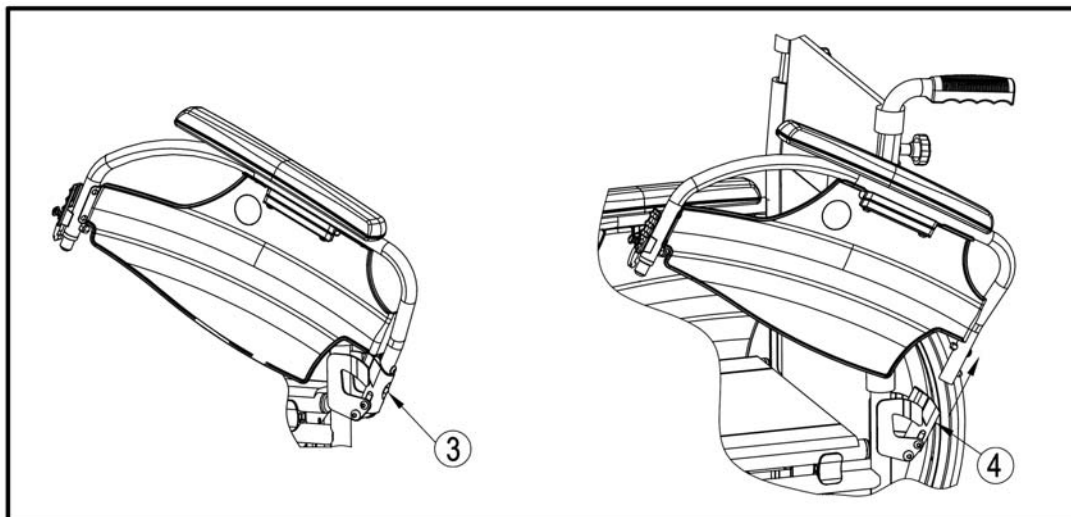
4. Inserte, hasta oír un clic, el tubo frontal del reposabrazos en el capuchón del tubo ②.

Para abrir y retirar el reposabrazos:



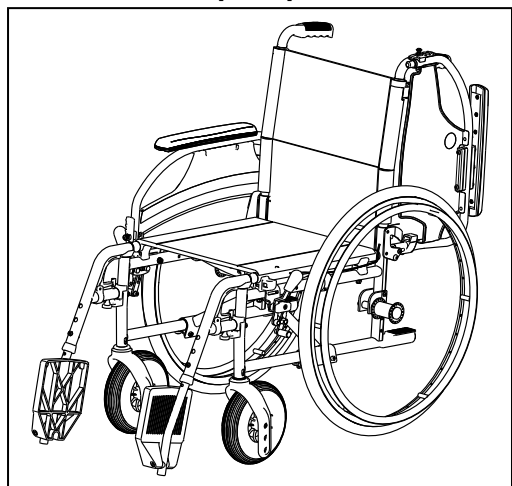
1. Presione la palanca ① y tire de la parte delantera del reposabrazos hacia arriba.
2. Pliegue el reposabrazos hacia atrás.

3. Para retirar el reposabrazos, pulse el botón ③ y extraiga la parte posterior del reposabrazos del capuchón del tubo ④.



2.7 Traslado a la silla de ruedas y desde esta

- ⚠ **PRECAUCIÓN:** En caso de que no pueda realizar el traslado de forma segura, pida a alguien que le ayude.
- ⚠ **PRECAUCIÓN:** Riesgo de vuelco de la silla de ruedas; no se ponga de pie en la base del reposapiés.



1. Coloque la silla de ruedas lo más cerca posible de la silla, el sillón o la cama desde la que desea trasladarse o a la que desee ir.
2. Compruebe que los dos frenos de la silla de ruedas estén accionados.
3. Pliegue las bases del reposapiés hacia arriba para evitar ponerse de pie sobre ellos.
4. Si el traslado se realiza por el lateral de la silla de ruedas, pliegue el reposabrazos de ese lado hacia arriba (Véase el apartado 2.6).
5. Traslado a/desde la silla de ruedas.

2.8 Posición correcta en la silla de ruedas

Algunas recomendaciones para un uso cómodo de la silla de ruedas:

- Coloque la espalda lo más cerca posible del respaldo.
- Asegúrese de que la parte superior de las piernas se encuentre en posición horizontal. En caso necesario, ajuste la longitud de los reposapiés. (véase el apartado 3.5)

2.9 Conducción de la silla de ruedas

- ⚠ **ADVERTENCIA:** Riesgo de aplastamiento: evite que los dedos queden atrapados entre los radios de las ruedas.
 - ⚠ **ADVERTENCIA:** Riesgo de aplastamiento: evite que los dedos o las manos queden atrapados entre el aro de la rueda y la rueda trasera.
 - ⚠ **ADVERTENCIA:** Riesgo de que los dedos queden atrapados: tenga cuidado al pasar por lugares estrechos (p. ej. puertas).
 - ⚠ **ADVERTENCIA:** Riesgo de quemaduras; tenga cuidado cuando circule por entornos calientes o fríos (luz solar, frío extremo, saunas, etc.) durante un período de tiempo prolongado, ya que podría quemarse al tocar los materiales de la silla de ruedas.
1. Suelte los frenos.
 2. Sujete los dos aros de propulsión por la parte superior.
 3. Inclínese hacia delante y empuje los aros de propulsión hacia delante hasta que los brazos queden estirados.
 4. Doble los brazos hacia atrás, hacia la parte superior de los aros de propulsión y repita el movimiento.

2.10 Desplazamiento por pendientes

- ⚠ **ADVERTENCIA:** Controle su velocidad : desplácese por las pendientes con la mayor lentitud posible.
- ⚠ **ADVERTENCIA:** Tenga en cuenta las capacidades de su acompañante. Si este no tiene fuerza suficiente para controlar la silla de ruedas, accione los frenos.
- ⚠ **ADVERTENCIA:** Riesgo de vuelco: inclínese hacia delante para desplazar el centro de gravedad hacia delante para tener una mejor estabilidad.



1. Si hay un cinturón de seguridad disponible en la silla de ruedas, abrócheselo.
2. No intente desplazarse por pendientes demasiado inclinadas. Los ángulos de pendiente máximos (ascendentes y descendentes) están indicados en la tabla 1.
3. Pida a un acompañante que le ayude a desplazarse por la pendiente.
4. Inclínese hacia delante para desplazar su centro de gravedad hacia delante.

2.11 Franqueo de peldaños y bordillos

2.11.1 Bajar peldaños o bordillos

Se pueden bajar bordillos pequeños desplazándose hacia delante. Asegúrese de que los reposapiés no tocan el suelo.



Los usuarios experimentados pueden franquear peldaños y bordillos pequeños sin ayuda:

⚠ ADVERTENCIA: Riesgo de vuelco: si no tiene suficiente experiencia con su silla de ruedas, pida ayuda a un acompañante.

1. Mantenga el equilibrio sobre las ruedas traseras para reducir la presión sobre las ruedas delanteras.
2. Franquee el bordillo.

Salve los bordillos más altos con la ayuda de un acompañante:

1. Pida al acompañante que incline la silla de ruedas ligeramente hacia atrás.
2. Pase el bordillo desplazándose con las ruedas traseras.
3. Coloque la silla de ruedas de nuevo sobre las cuatro ruedas.



Los usuarios experimentados pueden franquear bordillos altos sin ayuda. Esta acción se realiza mejor de espaldas.

1. Gire la silla de ruedas de forma que las ruedas traseras queden orientadas al bordillo.
2. Inclínese hacia delante para desplazar su centro de gravedad hacia delante.
3. Desplace la silla de ruedas cerca del bordillo.
4. Use el aro de propulsión para hacer rodar la silla de ruedas desde el bordillo de manera controlada.

2.11.2 Bajar peldaños o bordillos

Para subir peldaños y bordillos con la ayuda de un acompañante, haga lo siguiente:



1. Evite que los reposapiés toquen el bordillo.
2. Pida al acompañante que incline la silla hacia atrás, lo suficiente para desplazar las ruedas delanteras por encima del bordillo.
3. Inclínese hacia atrás para desplazar su centro de gravedad sobre la rueda trasera.
4. Coloque las ruedas delanteras sobre el bordillo.
5. Haga girar las ruedas traseras de la silla de ruedas sobre el bordillo.

Los bordillos más altos se franquean de espaldas:

1. Gire la silla de ruedas de forma que las ruedas traseras queden orientadas al bordillo.
2. Inclínese hacia atrás y desplace su centro de gravedad sobre las ruedas traseras.
3. Pida al acompañante que tire de la silla sobre el bordillo.
4. Vuelva a la posición normal en la silla de ruedas.

Los usuarios experimentados pueden franquear bordillos sin ayuda.

⚠ ADVERTENCIA: Riesgo de vuelco: si no tiene suficiente experiencia para controlar su silla de ruedas, pida ayuda a un acompañante.



1. Acérquese hasta el bordillo.
2. Asegúrese de que el reposapiés no toca el bordillo.
3. Inclínese hacia atrás de forma que mantenga el equilibrio sobre las ruedas traseras.



4. Haga rodar las ruedas delanteras manteniendo el equilibrio sobre el bordillo.
5. Inclínese hacia adelante para mayor estabilidad.
6. Haga rodar las ruedas traseras sobre el bordillo.

2.11.3 Desplazamientos por escaleras

Para desplazarse por las escaleras mientras está en una silla de ruedas, siga las instrucciones siguientes:

⚠ ADVERTENCIA: Riesgo de vuelco: el desplazamiento por escaleras deberá realizarse siempre con 2 acompañantes.

1. Retire los reposapiés.
2. Un acompañante debe inclinar la silla de ruedas ligeramente hacia atrás.
3. El segundo acompañante sujeta la parte frontal del chasis.
4. Mantenga la calma, evite los movimientos bruscos y mantenga los brazos dentro de la silla de ruedas.
5. Para desplazarse por las escaleras utilice las ruedas traseras de la silla.
6. Vuelva a montar los reposapiés después de desplazarse las escaleras.

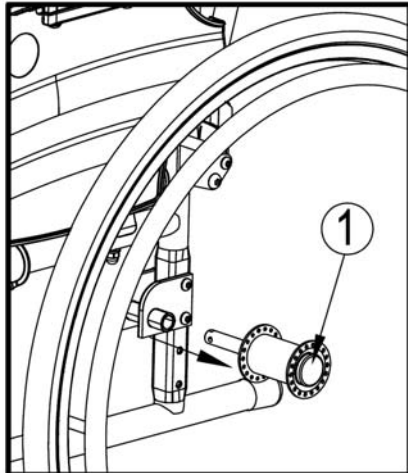
2.12 Plegado de la silla de ruedas

⚠ PRECAUCIÓN: Peligro de pillarse los dedos: no coloque los dedos entre los componentes de la silla de ruedas.

1. Pliegue o retire las bases del reposapiés (véase el apartado 2.4).
2. Sujete el asiento por la parte delantera y trasera y tire de él hacia arriba.

2.13 Extracción de las ruedas

Para facilitar el transporte de la silla de ruedas, es posible extraer las ruedas traseras:



1. Asegúrese de que los frenos no están accionados.
2. Coloque la silla de ruedas del lado del armazón de la rueda que desea extraer.
3. Pulse el botón ① situado en la parte central del cubo de la rueda.
4. Tire de la rueda para extraerla del chasis.

2.14 Transporte en coche

⚠ ADVERTENCIA: Riesgo de lesiones: compruebe que la silla de ruedas está fijada correctamente para evitar cualquier daño a los pasajeros en caso de colisión o frenado brusco.

⚠ ADVERTENCIA: Riesgo de lesiones: no utilice NUNCA el mismo cinturón de seguridad para fijar la silla de ruedas y el pasajero.

Para transportar la silla de ruedas en el coche, siga estos pasos:

1. Retire los reposapiés y demás accesorios.
2. Guarde de forma segura los reposapiés y demás accesorios.
3. Si es posible, pliegue la silla de ruedas y retire las ruedas.
4. Coloque la silla de ruedas en el compartimento de equipajes.
5. Si la silla de ruedas y el compartimento de los pasajeros NO están separados, sujete el armazón de la silla de ruedas firmemente al vehículo. Puede utilizar los cinturones de seguridad disponibles en el vehículo.

2.15 Uso de la silla de ruedas como asiento en un vehículo de motor

⚠ ADVERTENCIA: Riesgo de lesiones - La silla de ruedas sólo se puede utilizar como asiento en un vehículo de motor cuando las empuñaduras se colocan en la posición más baja. En otros casos está prohibido utilizar la silla de ruedas como asiento en un vehículo de motor.

⚠ ADVERTENCIA: La silla de ruedas ha superado con éxito la prueba de choque de la norma ISO 7176-19: 2008 como tal, ha sido diseñado y probado para usarlo solo como silla de cara al frente en un vehículo de motor.

⚠ ADVERTENCIA: El cinturón pélvico de la silla de ruedas solo no es adecuado para un cinturón de sujeción del ocupante.

La silla se prueba mediante el sistema de cinturón de cuatro puntos y un sistema de restricción para los ocupantes de 3 puntos.

Siempre que sea posible, utilice el asiento del vehículo y guarde la silla en la zona de carga.

Medidas de seguridad para la silla en un vehículo:

1. Compruebe que el vehículo está equipado adecuadamente para amarrar una silla de ruedas y el sistema de retención para los ocupantes de acuerdo con la norma ISO 10542.
2. Compruebe que los raíles de amarre para la silla y el sistema de retención para los ocupantes, no están desgastados, contaminados, dañados o rotos.
3. Si está equipado con un asiento ajustable y/o inclinable, asegúrese de que el usuario está sentado lo más derecho posible. Si la condición del usuario impide esto, se deberá hacer una valoración del riesgo, para evaluar la seguridad del usuario durante el trayecto.
4. Retire todos los accesorios montados tales como bandejas y equipos respiratorios, y colóquelos en un lugar seguro.
5. Coloque la silla de caras a la dirección del viaje, céntrico entre los raíles de amarre montados en el suelo del vehículo.
6. Asegúrese que las zonas señaladas alrededor del usuario de la silla están despejadas de las partes rígidas del vehículo.

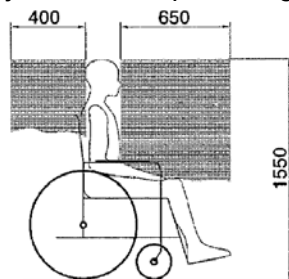


Figura 1

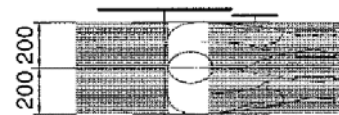


Figura 2

7. Monte las correas de sujeción frontal de acuerdo a las instrucciones del fabricante del sistema de la correa en el lugar indicado. (Figura 3)
Este lugar está marcado en la silla de ruedas con un símbolo. (Figura 4)
8. Retroceda la silla hasta que las correas frontales estén apretadas.
9. Aplicar el freno de la silla de ruedas.
10. Monte las correas de sujeción traseras de acuerdo con las instrucciones del fabricante del sistema de correas en el lugar indicado. (Figura 3)
11. Este lugar está marcado en la silla de ruedas con un símbolo. (Figura 4)

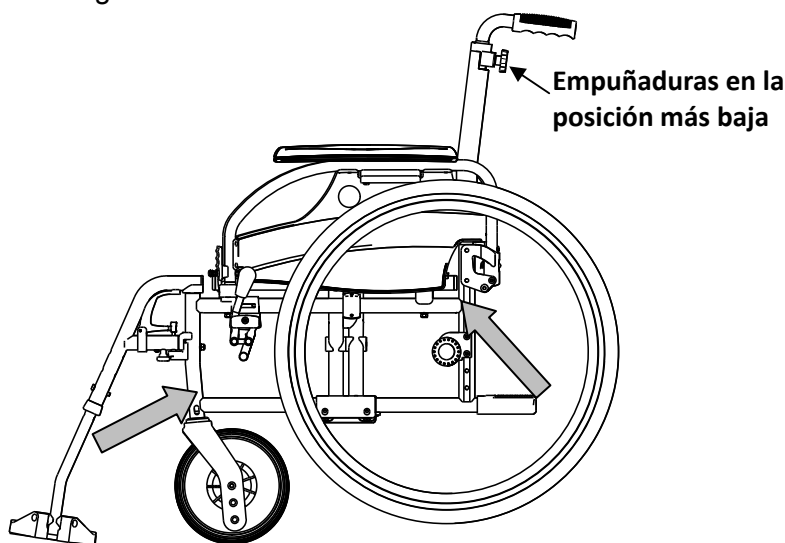


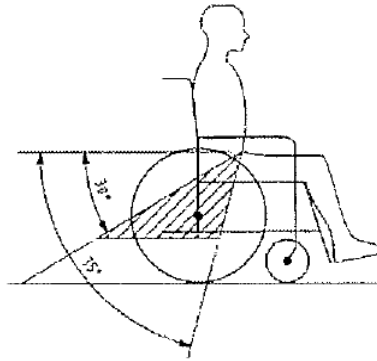
Figura 3



Figura 4

Medidas para asegurar el usuario de la silla de ruedas:

1. Retire los dos reposabrazos.
2. Si está presente ate el cinturón pélvico de la silla.
3. Ate los cinturones de sujeción del ocupante de acuerdo a las instrucciones del fabricante del sistema de correas.
4. Lleve el cinturón pélvico bajo a través de la parte delantera de la pelvis, de tal modo que el ángulo del cinturón pélvico está dentro de la zona preferencial de 30° a 75° respecto al horizontal, similar a lo mostrado abajo.



5. Un ángulo más pronunciado (mayor) dentro de la zona preferente es lo aconsejable.
6. Ajuste el cinturón asegurándolo bien de acuerdo a las inclinaciones del fabricante del sistema de correas, en consonancia a la comodidad del usuario.
7. Asegúrese que el cinturón de sujeción conecta en una línea recta al punto de anclaje en el vehículo y que no haya dobleces visibles, por ejemplo en el eje de la rueda trasera.
8. Instale los reposacabezas, si lo desea. Asegúrese que los cinturones no están retorcidos o apartados del cuerpo por los componentes de la silla como los reposabrazos o las ruedas.



Las sujeciones pélvicas tendrían que estar en pleno contacto a través de la parte delantera del cuerpo cerca de la unión del muslo y la pelvis



3 Instalación y ajuste

Este capítulo contiene instrucciones destinadas a los distribuidores especializados.

La silla Vermeiren D100 está diseñada para ser regulada mediante un mínimo de piezas de repuesto. No es necesario disponer de un stock extra de piezas de repuesto.

Para encontrar un centro de servicio o un distribuidor especializado cerca de usted, póngase en contacto con el centro Vermeiren más próximo. Puede encontrar una lista con los centros Vermeiren en la última página.

- ⚠ **ADVERTENCIA: Riesgo por ajustes peligrosos; utilice únicamente los ajustes indicados en este manual.**
- ⚠ **ADVERTENCIA: Realizar ajustes en la silla puede variar su estabilidad (inclinaciones hacia atrás o hacia los lados).**

3.1 Herramientas

Para montar la silla de ruedas, necesita las siguientes herramientas.

- Juego de llaves inglesas del 7 al 22
- Juego de llaves Allen del 3 al 8
- Destornilladores del número 4 y 5
- Destornillador con cabeza Phillips

3.2 Forma de suministro

La silla Vermeiren D100 se entrega con:

- 1 chasis con reposabrazos, ruedas delanteras y traseras (altura del asiento de 500 mm)
- 1 par de apoyapiernas
- Herramientas
- Manual
- Accesorios

3.3 Ajuste de la altura del asiento

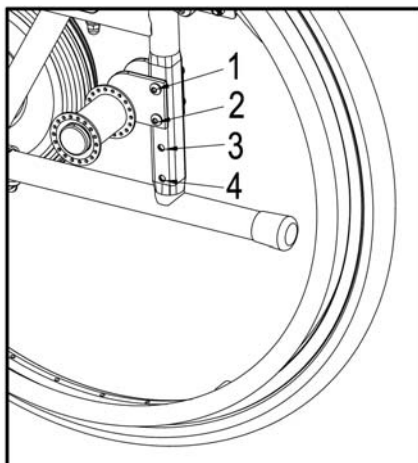
El asiento de la silla Vermeiren D100 dispone de 3 alturas regulables mediante la modificación de la posición de las ruedas. A cada altura le corresponde un ajuste diferente de las ruedas delanteras y traseras.

⚠ ADVERTENCIA: El orificio superior de la placa del eje no está destinado al montaje del eje posterior. Este orificio es para el montaje del freno de tambor.

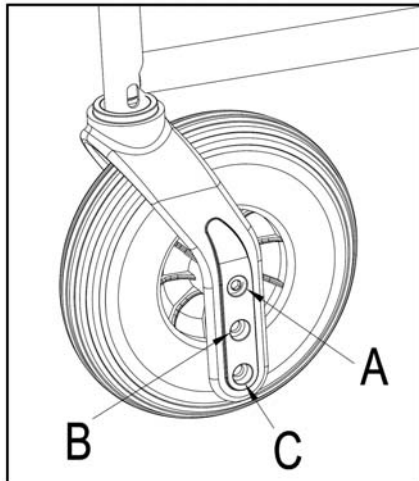
Altura del asiento	Rueda trasera	Rueda delantera
470 mm	Orificio 1 y orificio 2	Orificio A
500 mm (Estándar)	Orificio 2 y orificio 3	Orificio B
530 mm	Orificio 3 y orificio 4	Orificio C

Tabla 2: Altura del asiento

Para modificar la altura del asiento, siga estos pasos:



1. Desmonte las ruedas traseras (véase el apartado § 2.13).
2. Extraiga el tornillo de la placa.
3. Monte la placa en el orificio derecho del chasis (véase la tabla 2).
4. Verifique que los casquillos del eje están correctamente fijados.

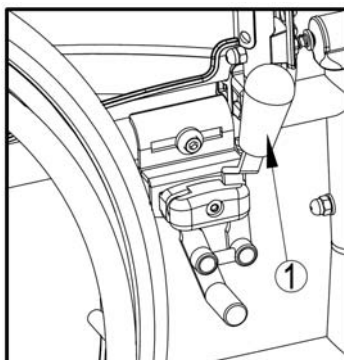


5. Extraiga el tornillo de la horquilla frontal y las ruedas.
6. Coloque conforme a lo indicado en la tabla 2.
7. Instale las ruedas delanteras y apriete. Compruebe que gira suavemente pero sin dejar espacio para que no haya juego.
8. Monte las ruedas traseras.
9. Si se han montado correctamente, la horquilla de las ruedas delanteras deben estar perpendiculares al suelo. Verifíquelo.
10. Ajuste los frenos conforme a lo indicado en el apartado 3.4.

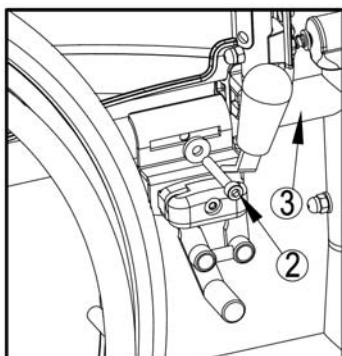
3.4 Ajuste de los frenos

⚠ ADVERTENCIA: Riesgo de lesiones: sólo su distribuidor especializado puede ajustar los frenos.

Ajuste los frenos según las instrucciones siguientes:



1. Monte las ruedas según se indica en el apartado 2.2.
2. Para desconectar los frenos, tire de la palanca ① hacia atrás.

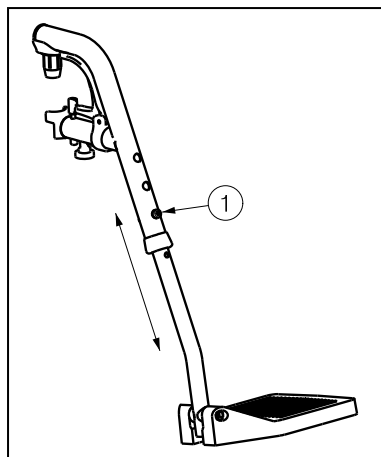


3. Afloje los pernos ② para que el mecanismo del freno pueda deslizarse por la guía ③.
4. Deslice el mecanismo del freno por la guía ③ hasta la posición que desee.
5. Vuelva a apretar los pernos ②.
6. Verifique el funcionamiento de los frenos.
7. Si fuera necesario, repita los pasos anteriores hasta que los frenos estén bien ajustados.

3.5 Ajuste del reposapiés

3.5.1 Longitud del reposapiés

⚠ PRECAUCIÓN: Riesgo de desperfectos: evite que el reposapiés entre en contacto con el suelo. Mantenga una distancia mínima de 60 mm por encima del suelo.



Regule la longitud del reposapiés como se indica a continuación (3 posibles posiciones: intervalos de 35 mm → orificios fuera del tubo, 6 posibles posiciones: intervalos 25 mm → tubo interior):

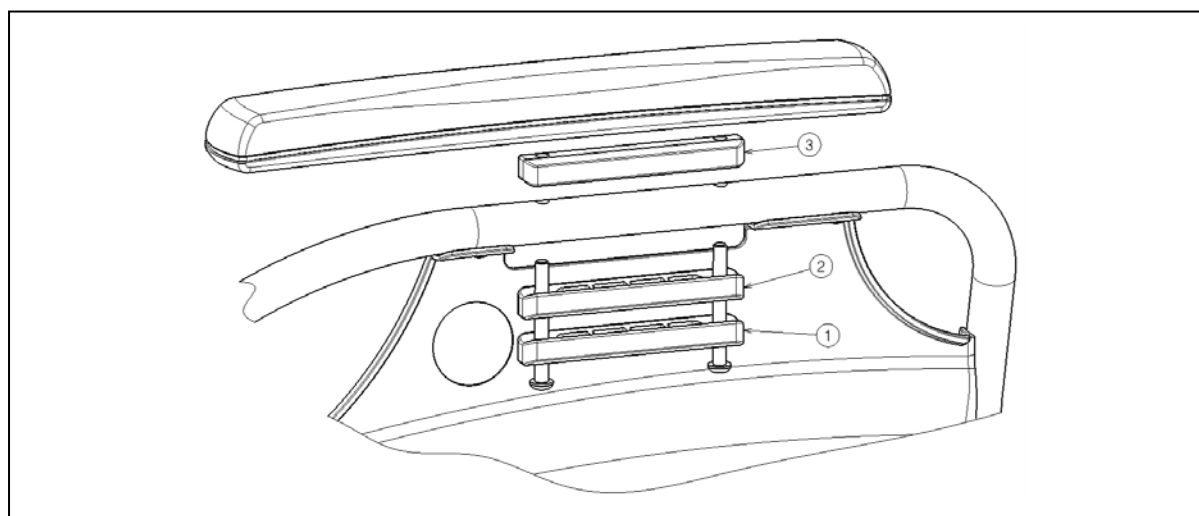
1. Saque el tornillo ①.
2. Ajuste la longitud del reposapiés a la medida que le resulte cómoda.
3. Apriete el tornillo ① correctamente.

3.6 Ajuste de la almohadilla del reposabrazos

La almohadilla del reposabrazos de su silla de ruedas puede ajustarse en altura y profundidad. La altura de la almohadilla del reposabrazos puede regularse en 3 posiciones.

Altura de la almohadilla del reposabrazos al asiento	Número de bloques bajo el tubo	Número de bloques entre el tubo y el reposabrazos
220 mm (estándar)	2	1
230 mm	1	2
240 mm	0	3

Tabla 3: Altura de la almohadilla del reposabrazos



La profundidad de la almohadilla del reposabrazos puede regularse en 3 posiciones.

Profundidad de la almohadilla del reposabrazos	Orificios utilizados
Posición delantera	Posterior e intermedio
Posición intermedia (estándar)	Orificio 2 y 4
Posición trasera	Anterior e intermedio

Tabla 4: Profundidad de la almohadilla del reposabrazos

Regule la altura y la profundidad de la almohadilla del reposabrazos como se indica a continuación:

1. Extraiga los dos tornillos situados debajo de la almohadilla del reposabrazos.
2. Coloque la cantidad correcta de bloques debajo y encima de los tubos (véase la tabla 3).
3. Instale la almohadilla del reposabrazos en los orificios correspondientes según el ajuste de profundidad.

4 Mantenimiento

Para consultar el manual de mantenimiento de las sillas de ruedas, visite el sitio web de Vermeiren www.rehagirona.com.

Spis treści

Wstęp	2
1 Opis produktu	3
1.1 Przeznaczenie	3
1.2 Parametry techniczne	4
1.3 Rysunek	5
1.4 Akcesoria.....	5
1.5 Położenie tabliczki identyfikacyjnej	6
1.6 Objasnienie symboli.....	6
1.7 Zasady bezpieczeństwa	6
2 Sposób użycia	7
2.1 Przenoszenie wózka inwalidzkiego.....	7
2.2 Montaż kół tylnich	7
2.3 Rozkładanie wózka inwalidzkiego.....	7
2.4 Montaż i demontaż podnóżka	8
2.5 Obsługa hamulców	8
2.6 Montaż i demontaż podłokietników	9
2.7 Wsiadanie i zsiadanie z wózka inwalidzkiego	10
2.8 Prawidłowa pozycja w wózku inwalidzkim.....	10
2.9 Jazda na wózku inwalidzkim.....	10
2.10 Poruszanie się po powierzchniach pochyłych.....	11
2.11 Pokonywanie progów lub krawężników	11
2.12 Składanie wózka inwalidzkiego	13
2.13 Zdejmowanie kół.....	13
2.14 Transport w samochodzie.....	13
2.15 Korzystanie z wózka inwalidzkiego jako siedzenie w pojazdach silnikowych.	13
3 Montaż i regulacja	16
3.1 Narzędzia.....	16
3.2 Elementy fotela	16
3.3 Regulacja wysokości siedziska	16
3.4 Regulacja hamulców	17
3.5 Regulacja podnóżka	18
3.6 Regulacja poduszka podłokietnik.....	18
4 Konserwacja	19

Wstęp

Przede wszystkim pragniemy Państwu podziękować za zaufanie, jakim nas Państwo obdarzyli, dokonując wyboru jednego z naszych wózków inwalidzkich.

Wózki inwalidzkie Vermeiren są konstruowane na podstawie wieloletnich badań i doświadczenia. W procesie projektowania szczególną uwagę poświęcono łatwości użycia i solidności.

Szacowana trwałość wózka inwalidzkiego wynosząca 8 lat zależy w dużej mierze od odpowiedniej konserwacji i dbałości o jego stan.

Niniejsza instrukcja pomoże Państwu zapoznać się z obsługą wózka.

Postępowanie zgodnie z instrukcjami dotyczącymi obsługi i konserwacji stanowi zasadniczy warunek gwarancji.

Niniejsza instrukcja obsługi odzwierciedla aktualny stan produktu. Firma Vermeiren zastrzega sobie jednak prawo do wprowadzenia zmian bez obowiązku dostosowania lub wymiany wcześniej dostarczonych modeli.

W razie jakichkolwiek pytań prosimy kontaktować się ze sprzedawcą.

1 Opis produktu

1.1 Przeznaczenie

Wózek inwalidzki jest przeznaczony dla osób o ograniczonej zdolności lub braku zdolności chodzenia.

Wózek inwalidzki jest zaprojektowany do transportu jednej osoby.

Wózek przeznaczony jest do użycia wewnątrz jak i na zewnątrz budynków.

Użytkownik może napędzać wózek samodzielnie lub może być popychany przez opiekuna.

Wiele rodzajów mocowań i akcesoriów, a także modułowa konstrukcja, umożliwiają pełne użytkowanie wózka przez osoby niepełnosprawne na skutek:

- paraliżu;
- utraty kończyn (amputacji nóg);
- uszkodzenia lub deformacji kończyn;
- sztywnych lub uszkodzonych stawów;
- niewydolności serca i słabego krążenia krwi;
- zaburzeń równowagi;
- kacheksji (ubytków masy mięśniowej).
- oraz przez osoby starsze.

W celu dostosowania produktu do indywidualnych wymagań, należy uwzględnić następujące warunki:

- rozmiary i masa ciała (maks. 130 kg);
- stan fizyczny i psychiczny;
- warunki mieszkaniowe;
- otoczenie

Z wózka inwalidzkiego należy korzystać wyłącznie na powierzchniach, na których wszystkie cztery koła dotykają podłoża oraz kontakt jest wystarczający, aby odpowiednio napędzać koła.

Należy przeciwdziałać pokonywaniu przeszkód (np. krawężników) oraz korzystanie z wózka na nierównych powierzchniach (kostkach brukowych itp.), pochyłościach i zakrętach.

Wózka nie należy wykorzystywać w roli drabiny, nie służy on również do transportu ciężkich lub gorących przedmiotów.

Podczas użytkowania na matach, dywanach lub luźnych przykryciach podłogowych może dojść do uszkodzenia powierzchni wykładzinowej.

Należy korzystać wyłącznie z akcesoriów zatwierdzonych przez firmę Vermeiren.

Producent nie ponosi odpowiedzialności za uszkodzenia spowodowane zaniedbaniami konserwacji, nieodpowiednim serwisowaniem bądź będące skutkiem nieprzestrzegania zaleceń zawartych w niniejszej instrukcji obsługi.

Postępowanie zgodnie z instrukcją użytkownika oraz instrukcją konserwacji stanowi zasadniczy warunek gwarancji.

1.2 Parametry techniczne

Parametry techniczne podane poniżej opisują wózek inwalidzki w konfiguracji standardowej. Jeśli użytkownik korzysta z innych podnóżków / podłokietników lub innych akcesoriów, wartości będą się różnić.

Producent	Vermeiren							
Adres	Vermeirenplein 1/15, B-2920 Kalmthout							
Typ	Ręczny wózek inwalidzki							
Model	D100							
Maksymalna waga użytkownika	130 kg							
Opis	Wymiary							
Szerokość użytkowa siedziska	380 mm	400 mm	420 mm	440 mm	460 mm	480 mm	500 mm	520 mm
Szerokość całkowita (zależy od szerokości siedziska)	580 mm	600 mm	620 mm	640 mm	660 mm	680 mm	700 mm	720 mm
Opis	Minimalne wymiary				Maksymalne wymiary			
Długość całkowita z podnóżkiem	1010 mm							
Długość po złożeniu	1010 mm							
Szerokość po złożeniu	300 mm							
Wysokość po złożeniu	880 mm				940 mm			
Waga całkowita	18 kg							
Waga najcięższej części	10,5 kg							
Stabilność statyczna przy pochyłości	16° (w konfiguracji standardowej)							
Stabilność statyczna pod górę	12° (w konfiguracji standardowej)							
Stabilność statyczna w poprzek	20° (w konfiguracji standardowej)							
Maks. bezpieczne nachylenie	12°							
Zdolność pokonywania przeszkód	60 mm							
Kąt nachylenia siedziska	5°							
Głębokość użytkowa siedziska	430 mm							
Wysokość przedniej krawędzi siedziska	470 mm				530 mm			
Kąt nachylenia oparcia	5°							
Wysokość oparcia	420 mm							
Odległość siedziska od podnóżka	385 mm				455 mm			
Kąt pomiędzy siedziskiem a podnóżka	8°							
Odległość poduszka podłokietnika od siedziska	220 mm				240 mm			
Przednia pozycja poduszka podłokietnika	385 mm				455 mm			
Średnica obręczy	535 mm							
Pozycja osi w poziomie (odchył)	37 mm							
Minimalny promień skrętu	1500 mm							
Średnica kół tylnych PU	22"				24"			
Średnica kół skrętnych PU	200 mm							
Temperatura przechowywania i użytkowania	+ 5 °C				+ 41 °C			

Wilgotność powietrza do przechowywania i użytkowania	30%	70%
Producent zastrzega sobie prawo do wprowadzania zmian parametrów technicznych. Tolerancja pomiaru $\pm 15 \text{ mm} / 1,5 \text{ kg} / ^\circ$		

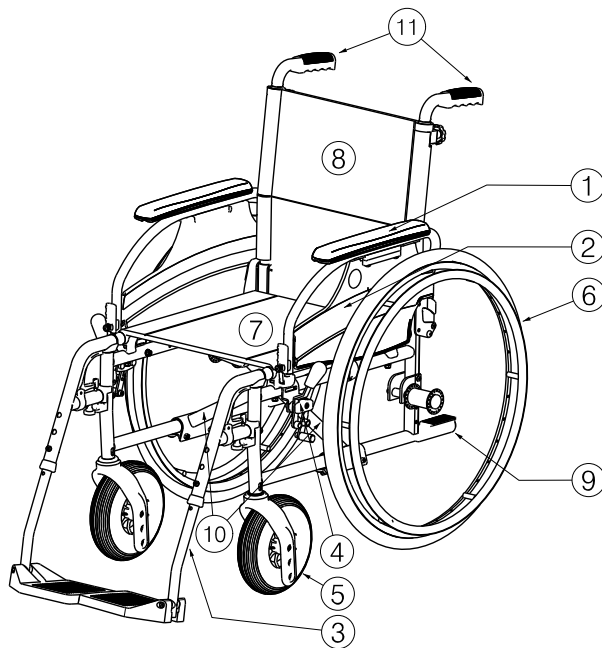
Tabela 1: Parametry techniczne

Wózek inwalidzki spełnia wymogi następujących norm:

ISO 7176-8: Wymogi i metody testowania sił działających w bezruchu, przy uderzeniu oraz zmęczeniu materiału.

ISO 7176-16: Odporność części pokrytych tapicerką na zapłon.

1.3 Rysunek



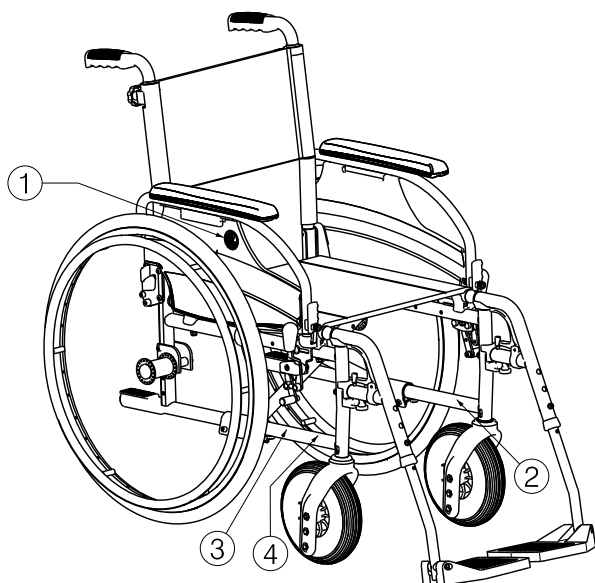
- 1 = Poduszka podłokietnika
- 2 = Podłokietniki
- 3 = Podnóżki
- 4 = Hamulce
- 5 = Koła skrętne (przednie)
- 6 = Koła napędowe (tylne)
- 7 = Siedzisko
- 8 = Oparcie
- 9 = Zaślepka
- 10 = Krzyżak
- 11 = Uchwyty

1.4 Akcesoria

Dla modelu D100 dostępne są następujące akcesoria:

- Pas stabilizujący miednicę od przodu (B20) do zamocowania na rurach z tyłu wózka (patrz instrukcja)
- Urządzenie zapobiegające przewróceniu wózka (B78) do zamocowania na dolnej ramie wózka (patrz instrukcja)

1.5 Położenie tabliczki identyfikacyjnej



- 1 = Logo Vermeiren
- 2 = Tabliczka
- 3 = Imię i nazwisko Vermeiren
- 4 = Taxi haki

PL

1.6 Objaśnienie symboli



Waga maksymalna



Użycie wewnątrz i na zewnątrz budynków



Maks. bezpieczne nachylenie



CE deklaracja



Oznaczenie typu

1.7 Zasady bezpieczeństwa

- ⚠ By zapobiec urazom i/lub uszkodzeniom wózka należy upewnić się, że żadne przedmioty i/lub części ciała nie utknęły w szprychach kół jezdnych.
- ⚠ Przed przystąpieniem do siadania lub wysiadania z niego należy zaciągnąć hamulce postojowe.
- ⚠ Podczas siadania na wózek inwalidzki oraz zsiadania z niego nie wolno stawać na płytę podnóżka. Wcześniej należy je złożyć lub całkowicie odsunąć na bok podnóżki.
- ⚠ Należy sprawdzić wpływ zmiany środka ciężkości na działanie wózka, na przykład podczas jazdy po pochyłych nawierzchniach, przy bocznych przechyłach lub przy omijaniu przeszkód. Opiekun powinien udzielić pomocy.
- ⚠ Aby podnieść przedmiot (leżący naprzeciw, z boku lub z tyłu wózka), nie należy wychylać się za daleko, aby uniknąć przewrócenia.
- ⚠ W przypadku przemieszczania wózka przez drzwi i inne przejścia, należy upewnić się, że po obydwu stronach jest wystarczająco dużo miejsca, aby uniknąć zranienia rąk lub uszkodzenia wózka.
- ⚠ Należy używać wózka zgodnie z przepisami. Przykładowo nie należy dopuszczać do niekontrolowanego uderzania o przeszkody (stopnie, krawężniki, futryny itd.). Nie należy również dopuszczać, aby wózek spadł ze stopni. Producent nie ponosi odpowiedzialności za szkody wynikłe z przeciążenia, kolizji lub innego niewłaściwego użytkowania.

- ⚠ Poruszanie się po schodach jest możliwe jedynie, gdy dostępna jest pomoc ze strony drugiej osoby. Należy korzystać z podjazdów czy wind, jeśli tylko urządzenia takie są dostępne.
- ⚠ Korzystając z dróg publicznych, należy stosować się do przepisów ruchu drogowego.
- ⚠ Podobnie jak w przypadku innych pojazdów, nie należy jeździć wózkiem pod wpływem alkoholu lub innych leków czy narkotyków. Dotyczy to również jazdy wewnątrz pomieszczeń.
- ⚠ Poruszając się wózkiem na zewnątrz należy uzależnić to od warunków pogodowych i ruchu drogowego.
- ⚠ Aby być lepiej widocznym podczas jazdy w ciemności, należy mieć na sobie jaskrawe ubranie lub ubranie z elementami odblaskowymi i sprawdzić, czy boczne i tylne szkła odblaskowe wózka są dobrze widoczne.
- ⚠ Nigdy nie należy przekraczać maksymalnego obciążenia (130 kg).

2 Sposób użycia

W niniejszym rozdziale opisano normalne użytkowanie wózka. **Instrukcje te są przeznaczone dla użytkownika oraz wyspecjalizowanego sprzedawcy.**

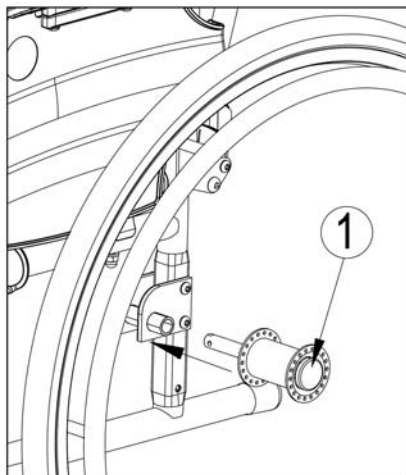
Wózek inwalidzki jest dostarczany klientowi po złożeniu przez wyspecjalizowanego sprzedawcę. Instrukcje montażu wózka przeznaczone dla wyspecjalizowanego sprzedawcy zawiera § 3.

2.1 Przenoszenie wózka inwalidzkiego

Najlepszym sposobem przenoszenia wózka inwalidzkiego jest prowadzenie go z wykorzystaniem jego kół.

Jeśli nie jest to możliwe (np. w przypadku demontażu tylnych kół w celach transportu wózka w samochodzie), należy mocno chwycić wózek za ramę z przodu oraz za uchwyty. Nie należy podnosić wózka, chwytając za podnózek, podłokietniki lub koła.

2.2 Montaż kół tylnich



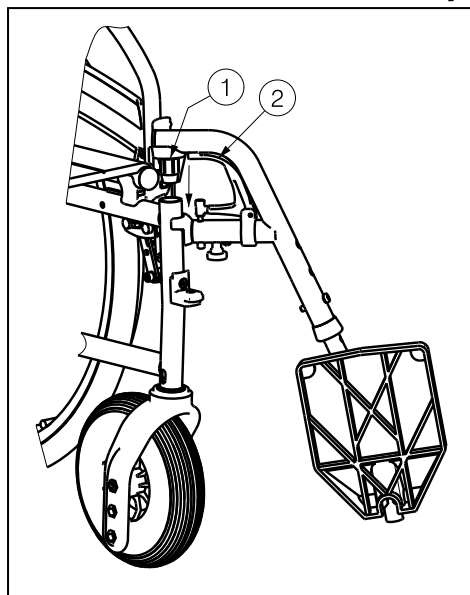
1. Chwycić tylne koło i nacisnąć przycisk ①.
2. Przytrzymując wciśnięty przycisk, nałożyć oś tylnego koła aż do zablokowania.
3. Zwolnić przycisk.
4. Sprawdzić, czy koło jest bezpiecznie zamocowane.

2.3 Rozkładanie wózka inwalidzkiego

⚠ **PRZESTROGA: Ryzyko przytraśnięcia — należy trzymać palce w bezpiecznej odległości od ruchomych części wózka inwalidzkiego.**

1. Stań za wózkiem inwalidzkim.
2. Trzymając za uchwyty, maksymalnie rozłóż wózek.
3. Stań przed wózkiem inwalidzkim.
4. Dociśnij obie rurki siedziska w dół, aż zostaną zablokowane na pozycjach.

2.4 Montaż i demontaż podnóżka



Aby zamontować podnóżek:

1. Należy przytrzymać podnóżek w poprzek po zewnętrznej stronie ramy wózka inwalidzkiego i przymocuj element ① do ramy.
2. Obróć podnóżek do wewnątrz, aż wskoczy na swoje miejsce.
3. Obrócić płytę podnóżka w dół.

Aby zdemontować podnóżki:

1. Pociągnij za uchwyt ②.
2. Obrócić podnóżek na zewnątrz wózka, aż uwolni się z ograniczników.
3. Wyciągnij rurkę podnóżka z ramy ①.

2.5 Obsługa hamulców

- ⚠ **OSTRZEŻENIE:** Hamulce nie służą do spowalniania wózka inwalidzkiego w trakcie ruchu – należy ich używać wyłącznie, aby nie dopuścić do niepożądanych ruchów wózka.
- ⚠ **OSTRZEŻENIE:** Prawidłowe działanie hamulców zależy od ich zużycia i zanieczyszczenia opon (woda, olej, błoto itp.) — Należy sprawdzić stan opon przed każdym użyciem.
- ⚠ **OSTRZEŻENIE:** Hamulce są regulowane i mogą ulec zużyciu – należy sprawdzać stan hamulców przed każdym użyciem.
- ⚠ **OSTRZEŻENIE:** Ryzyko przytrzaśnięcia - Nie dotykaj ramy rękami, palcami kiedy zwalniasz bądź zaciągasz hamulec.

Aby zaciągnąć hamulec:

1. Należy popchnąć dźwignie hamulców w przód, aż da się słyszeć wyraźne kliknięcie.

- ⚠ **PRZESTROGA:** Ryzyko niezamierzonego ruchu – przed zwolnieniem hamulców należy upewnić się, że wózek inwalidzki znajduje się na płaskiej, poziomej powierzchni. Nigdy nie należy zwalniać obu hamulców jednocześnie.

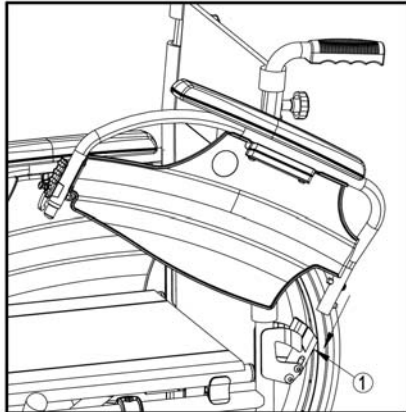
Aby zwolnić hamulce:

1. Zwolnij jeden hamulec, pociągając dźwignię w tył.
2. Przytrzymaj dłonią obręcz zwolnionego koła.
3. Zwolnij drugi hamulec, pociągając dźwignię w tył.

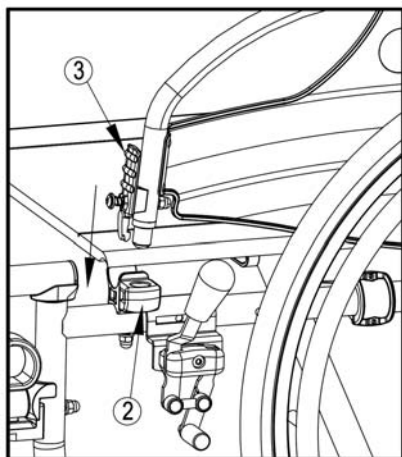
2.6 Montaż i demontaż podłokietników

Podłokietniki należy zamontować zgodnie z poniższą instrukcją.

- ⚠ PRZESTROGA:** Ryzyko przytrzaśnięcia – trzymaj palce, zapięcia i odzież z dala od dolnej części podłokietników.
- ⚠ PRZESTROGA:** Ryzyko przytrzaśnięcia – Uważaj aby nie przytrzasnąć palców gdy ręka znajdują się pomiędzy tylnymi kołami a blachą podłokietnika.

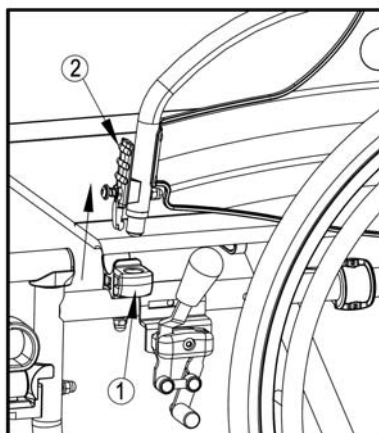


1. Zamontuj tylną rurkę podłokietnika w ramie ①.
2. Upewnij się, że podłokietnik wskoczył do mechanizmu blokującego.
3. Przechyl podłokietnik do przodu.



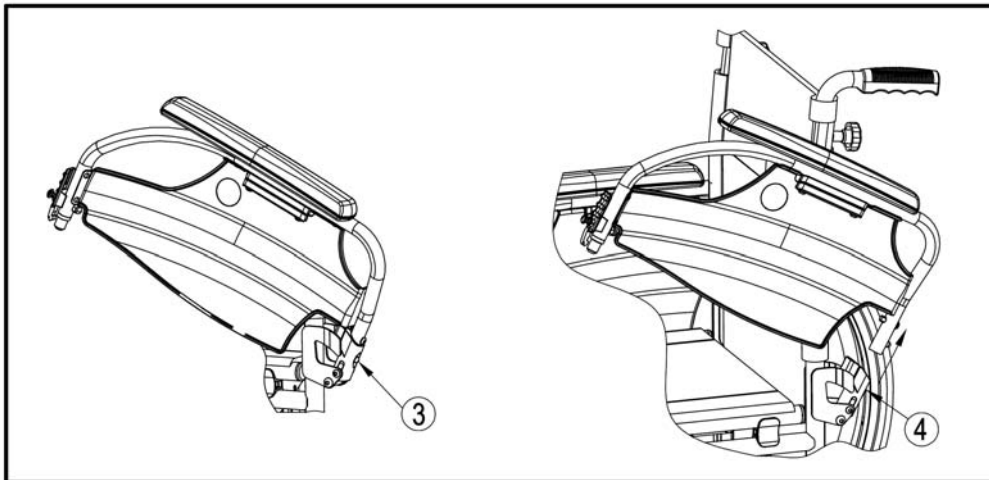
4. Zamocuj przednią rurkę podłokietnika w ramie ②.

Aby rozłożyć i zdemontować podłokietnik:



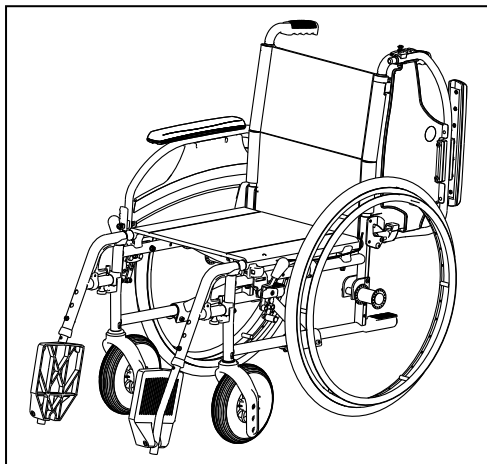
1. Naciśnij dźwignię ② i pociągnij przód podłokietnika w górę.
2. Przechyl podłokietnik do tyłu.

3. Aby wymontować podłokietnik, naciśnij przycisk ③ i wyciągnij tył podłokietnika z ramy ④.



2.7 Wsiadanie i zsiadanie z wózka inwalidzkiego

- ⚠ **PRZESTROGA:** Jeśli nie można samemu bezpiecznie usiąść na fotelu lub wstać z niego, należy poprosić kogoś o pomoc.
- ⚠ **PRZESTROGA:** Ryzyko przewrócenia wózka – nie wolno stawać na płycie podnóżka.



1. Ustaw wózek jak najbliżej krzesła, kanapy bądź łóżka, na które chcesz wysiąść.
2. Sprawdź, czy oba hamulce zostały zaciśnięte.
3. Odchyl płyty podnóżka w górę, uniemożliwiając stanięcie na nich.
4. Jeśli przemieszczanie zachodzi w poprzek wózka, odchyl podłokietnik po tej stronie wózka w górę (patrz § 2.6).
5. Wsiądź na/zsiądź z wózka inwalidzkiego.

2.8 Prawidłowa pozycja w wózku inwalidzkim

Zalecenia dotyczące wygodnego korzystania z wózka inwalidzkiego:

- Ułóż plecy tak blisko oparcia, jak to możliwe.
- Upewnij się, że uda ułożone są w poziomie – w razie potrzeby dostosuj długość podnóżków (patrz § 3.5).

2.9 Jazda na wózku inwalidzkim

- ⚠ **OSTRZEŻENIE:** Ryzyko przytrzaśnięcia — należy uważać, aby palce nie uwięzły pomiędzy szprychami kół.
- ⚠ **OSTRZEŻENIE:** Ryzyko przytrzaśnięcia — Uważaj aby palce nie zaklinowały się pomiędzy obręczą koła a tylnym kołem.
- ⚠ **OSTRZEŻENIE:** Ryzyko przytrzaśnięcia — zachowaj ostrożność podczas przejazdu przez ograniczone przestrzenie (np. drzwi).
- ⚠ **OSTRZEŻENIE:** Ryzyko poparzenia — należy zachować ostrożność podczas prowadzenia wózka przy bardzo wysokich i niskich temperaturach, (na ostrym słońcu, mrozie, w saunie itp.) przez dłuższy czas i przy kontakcie ze skórą — powierzchnie mogą przyjmować temperaturę otoczenia.

1. Zwolnij hamulce.
2. Uchwyć obie obręcze w najwyższych punktach.
3. Pochyl się w przód i popchnij obręcze do przodu aż do wyprostowania rąk.
4. Luźno odchyl ręce do tyłu aż do górnych krawędzi obręczy i powtórz ruch.

2.10 Poruszanie się po powierzchniach pochyłych

- ⚠ **OSTRZEŻENIE:** Ogranicz prędkość – na powierzchniach pochyłych poruszaj się jak najwolniej.
- ⚠ **OSTRZEŻENIE:** Weź pod uwagę możliwości opiekuna – jeśli nie dysponuje siłą pozwalającą kontrolować wózek, zaciągnij hamulce.
- ⚠ **OSTRZEŻENIE:** Ryzyko wywrócenia – pochyl się w przód, aby przesunąć środek ciężkości do przodu. Pozwoli to ustabilizować wózek.



1. Zapnij pasy bezpieczeństwa, jeśli wózek jest w nie wyposażony.
2. Nie próbuj poruszać się po zbyt dużych pochyłościach. Maksymalne kąty nachylenia (podczas jazdy pod górę i w dół) przedstawiono w tabeli 1.
3. Poproś opiekuna o pomoc podczas ruchu na pochyłym podłożu.
4. Pochyl się w przód, aby przesunąć środek ciężkości do przodu.

2.11 Pokonywanie progów lub krawężników

2.11.1 Zjeżdżanie z progów lub krawężników

Z niskiego krawężnika można zjechać, poruszając się w przód. Upewnij się, że podnóżki nie dotykają ziemi.



Doświadczony użytkownik może samodzielnie pokonać niewielkie progi lub krawężniki.

- ⚠ **OSTRZEŻENIE:** Ryzyko wywrócenia – jeśli nie posiadasz wystarczającego doświadczenia w korzystaniu z wózka inwalidzkiego, poproś o pomoc opiekuna.
1. Utrzymaj równowagę na kołach tylnych, aby zmniejszyć nacisk na koła przednie.
 2. Pokonaj krawężnik.

Wyższe krawężniki można pokonać, poruszając się w przód z pomocą opiekuna.

1. Poproś opiekuna, aby nieznacznie odchylił wózek inwalidzki do tyłu.
2. Pokonuj krawężniki, poruszając się na tylnych kołach.
3. Ponownie oprzyj wózek na wszystkich czterech kołach.



Doświadczony użytkownik może samodzielnie pokonywać wyższe krawężniki. Najłatwiej tego dokonać, poruszając się do tyłu.

1. Obróć wózek inwalidzki, zwracając go tylnymi kołami w stronę krawężnika.
2. Pochyl się w przód, aby przesunąć środek ciężkości do przodu.
3. Zbliź wózek do krawędzi krawężnika.
4. Przy użyciu obręczy w kontrolowany sposób zsuń wózek z krawężnika.

2.11.2 Wjeżdżanie na progi lub krawężniki

Aby wjechać na próg lub krawężnik z pomocą opiekuna:



1. Nie dopuść, aby podnóżki dotknęły krawężnika.
2. Poproś opiekuna o odchylenie wózka do tyłu na tyle, aby unieść przednie koła nad krawężnik.
3. Odchyl się do tyłu, przenosząc środek ciężkości nad tylne koła.
4. Wjedź przednimi kołami na krawężnik.
5. Przejedź tylnymi kołami przez krawężnik.

Wyższe krawężniki można pokonać, jadąc do tyłu:

1. Obróć wózek inwalidzki, zwracając go tylnymi kołami w stronę krawężnika.
2. Odchyl się w tył, przenosząc środek ciężkości nad tylne koła.
3. Poproś opiekuna o wciągnięcie wózka na krawężnik.
4. Powróć do normalnej pozycji w wózku inwalidzkim.

Doświadczony użytkownik może samodzielnie pokonywać krawężniki.

⚠ OSTRZEŻENIE: Ryzyko wywrócenia – jeśli nie posiadasz wystarczającego doświadczenia w korzystaniu z wózka inwalidzkiego, poproś o pomoc opiekuna.



1. Podjedź do krawężnika.
2. Upewnij się, że podnóżki nie dotykają krawężnika.
3. Odchyl się w tył, utrzymując równowagę na tylnych kołach.



4. Wjedź przednimi kołami na krawężnik.
5. Pochyl się do przodu, aby ustabilizować wózek.
6. Wjedź tylnymi kołami na krawężnik.

2.11.3 Pokonywanie schodów

Schody można pokonywać na wózku inwalidzkim, przestrzegając następujących zasad:

⚠ OSTRZEŻENIE: Ryzyko wywrócenia – zawsze pokonuj schody z pomocą 2 opiekunów.

1. Wymontuj podnóżki.
2. Jeden z opiekunów musi nieznacznie odchylić wózek w tył.
3. Drugi opiekun chwyta za przód ramy wózka.
4. Zachowaj spokój, unikaj nagłych ruchów i trzymaj ręce wewnątrz wózka.
5. Pokonuj schody na tylnych kołach wózka.
6. Po pokonaniu schodów ponownie zamontuj podnóżki.

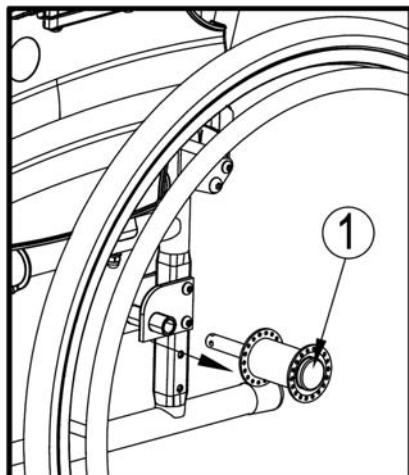
2.12 Składanie wózka inwalidzkiego

⚠ PRZESTROGA: Możliwość przytrzaśnięcia — Nie należy wkładać palców między elementy wózka.

1. Złóż lub wymontuj płyty podnóżków (patrz § 2.4).
2. Chwyć siedzenie za przód i oparcie, a następnie pociągnij w górę.

2.13 Zdejmowanie kół

Aby ułatwić transport wózka inwalidzkiego, można zdjąć tylne koła.



1. Upewnij się, że hamulce są zwolnione.
2. Przejdź na stronę wózka, z której chcesz zdjąć koło.
3. Naciśnij przycisk ① znajdujący się pośrodku piasty koła.
4. Zdejmij koło z ramy.

2.14 Transport w samochodzie

- ⚠ OSTRZEŻENIE:** Ryzyko urazu — należy upewnić się, że wózek inwalidzki jest prawidłowo umocowany. Pozwoli to zapobiec urazom pasażerów podczas kolizji lub gwałtownego hamowania.
- ⚠ OSTRZEŻENIE:** Ryzyko urazu — **NIGDY** nie należy używać jednego pasa bezpieczeństwa do zabezpieczenia pasażera i wózka inwalidzkiego.

Aby przewieźć wózek w samochodzie, należy wykonać następujące czynności:

1. Wymontuj podnóżki i akcesoria.
2. Umieść podnóżki i akcesoria w bezpiecznym miejscu.
3. Jeśli to możliwe, złóż wózek inwalidzki i zdejmij koła.
4. Umieść wózek inwalidzki w bagażniku.
5. Jeśli wózek **NIE** znajduje się w przedziale bagażowym oddzielonym od kabiny pasażerów, dokładnie umocuj ramę wózka inwalidzkiego do pojazdu. Możesz skorzystać z nieużywanych pasów bezpieczeństwa.

2.15 Korzystanie z wózka inwalidzkiego jako siedzenie w pojazdach silnikowych.

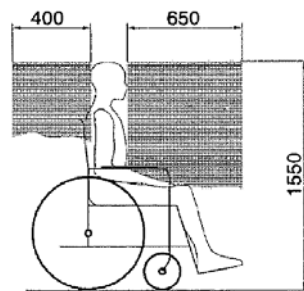
- ⚠ OSTRZEŻENIE:** Ryzyko urazu — Wózek inwalidzki może być użyty jako siedzisko w pojazdach mechanicznych tylko, gdy uchwyty znajdują się w najniższej położeniu. W innej sytuacji nie może być on użyty jako siedzisko w pojazdach mechanicznych.
- ⚠ OSTRZEŻENIE:** Wózek przeszedł test zderzeniowy wg normy ISO 7176-19: 2008 i jako taki został zaprojektowany i przetestowany do użycia wyłącznie przodem do kierunku jazdy w pojazdach silnikowych.
- ⚠ OSTRZEŻENIE:** Sam pas biodrowy nie nadaje się jako pas zabezpieczający pasażerów.

Wózek inwalidzki jest przetestowany przy użyciu czterech punktów mocujących i z - punktowym system mocowania pasażera.

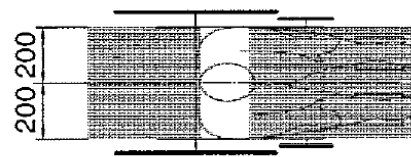
Gdy jest to możliwe, należy użyć siedzeń pojazdu a wózek przewozić w przestrzeni ładunkowej pojazdu.

Czynności, aby zabezpieczyć wózek w pojeździe:

1. Sprawdź, czy pojazd jest wyposażony w odpowiedni system przytrzymujący wózek i pasażera, zgodnie z normą ISO 10542.
2. Sprawdź, czy elementy wózka i urządzenie przytrzymujące, nie są postrzępione, skażone, uszkodzone.
3. Jeśli wózek wyposażony jest w regulowany fotel i/lub oparcie, upewnij się, że ww. elementy są ustawione w pozycji pionowej a pasażer w wózku inwalidzkim siedzi w pozycji pionowej. Jeśli stan pasażera nie pozwala na takie ułożenie, należy ocenić ryzyko, aby zapewnić bezpieczeństwo pasażera podczas transportu.
4. Usuń wszystkie zamontowane akcesoria takie jak stoliki, respirator itp. i przymocuj je w bezpiecznym miejscu.
5. Wózek ustawić do przodu w kierunku jazdy, centralnie między szynami mocującymi zamontowanymi w podłodze pojazdu.
6. Upewnij się, że strefa wokół wózka inwalidzkiego jest pozbawiona niebezpiecznych elementów.

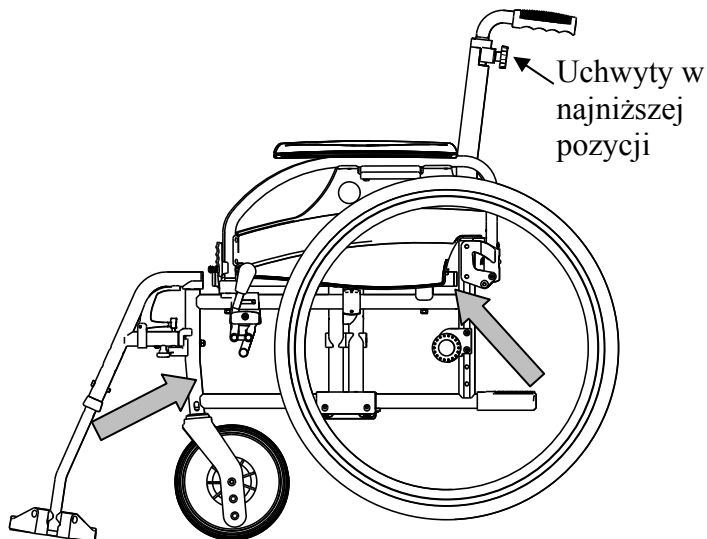


Rysunek 1



Rysunek 2

7. W pierwszej kolejności zamontuj pasy mocujące z przodu wózka zgodnie z instrukcją producenta systemu mocującego we wskazane miejsce. (Rysunek 3)
Miejsce jest zaznaczone na wózku inwalidzkim z symbolem. (Rysunek 4)
8. Wycofaj wózek do momentu aż pasy z przodu się napną.
9. Załącz hamulec w wózku inwalidzkim.
10. Następnie zamontuj pasy mocujące na tylnej ramie wózka we wskazanym miejscu zgodnie z instrukcją producenta systemu pasów. (Rysunek 3)
11. Miejsce jest zaznaczone na wózku inwalidzkim z symbolem. (Rysunek 4)



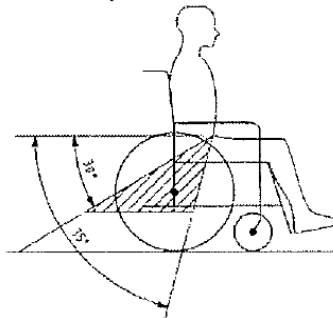
Rysunek 3



Rysunek 4

Kroki w celu zapewnienia bezpieczeństwa użytkownikowi wózka inwalidzkiego:

1. Wyjmij oba podłokietniki.
2. Jeśli występuje, dołącz wózka pas biodrowy.
3. Dołącz pasy zabezpieczające pasażera zgodnie z instrukcją producenta pasów.
4. Pas biodrowy, powinien być tak zamontowany, aby kąt pasa znajdował się w strefie 30 ° do 75 ° do poziomu, tak jak pokazano poniżej.



5. Preferowany jest większy kąt zapięcia.
6. Dostosuj naciąg pasa ściśle według instrukcji producenta pasów tak, aby zapewnić komfort użytkownika.
7. Upewnij się, że taśmy przytrzymujące łączą się w linii prostej do punktu zakotwiczenia w samochodzie i nie są nigdzie blokowane na przykład na osi tylnego koła.
8. Zainstaluj podłokietniki, upewnij się, że pasy nie są skręcone i przechodzą z dala od ruchomych elementów wózka inwalidzkiego, takich jak podłokietniki czy koła.



Pasy nie mogą przechodzić przez części wózka na jak podłokietnik czy koła.



Pasy nie mogą przechodzić przez części wózka na jak podłokietnik czy koła.

3 Montaż i regulacja

Instrukcje zawarte w niniejszym rozdziale są przeznaczone dla wyspecjalizowanego sprzedawcy.

Wózek Vermeiren D100 zaprojektowano w taki sposób, aby jego regulacja wymagała minimum części zamiennych. Nie jest wymagany zapas dodatkowych części zamiennych.

Aby uzyskać informację o odpowiednim punkcie serwisowym lub wyspecjalizowanym sprzedawcy, należy skontaktować się z najbliższym przedstawicielem firmy Vermeiren.

Wykaz przedstawicieli firmy Vermeiren podano na ostatniej stronie.

⚠ OSTRZEŻENIE: Ryzyko niebezpiecznych ustawień — należy używać wyłącznie ustawień opisanych w tej instrukcji obsługi.

⚠ OSTRZEŻENIE: Modyfikacja dopuszczalnego stopnia regulacji ramy może prowadzić do zmiany stabilności wózka inwalidzkiego (może powodować przechylenie w tył lub na bok).

3.1 Narzędzia

Do regulacji ustawień wózka inwalidzkiego wymagane są następujące narzędzia.

- Zestaw kluczy nr 7 – 22
- Zestaw kluczy imbusowych nr 3 – 8
- Wkrętak nr 4 – 5
- Wkrętak krzyżakowy

3.2 Elementy fotela

Dostarczany wózek Vermeiren D100 będzie zawierał:

- 1 ramę z podłokietnikami, tylnymi i przednimi kołami (wysokość siedzenia 500 mm);
- 1 parę podnóżków
- Narzędzia
- Instrukcja obsługi
- Akcesoria

3.3 Regulacja wysokości siedziska

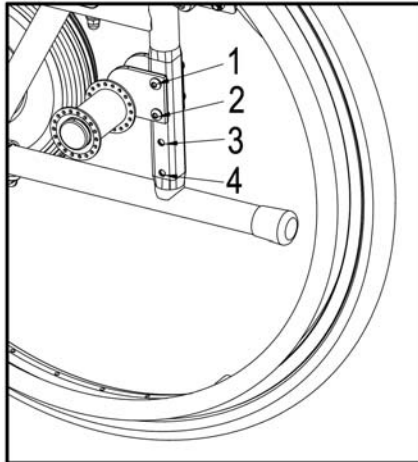
W wózku Vermeiren D100 można ustawić 3 różne wysokości siedziska, zmieniając pozycję kół. Każda wysokość oznacza inne ustawienie kół przednich i tylnych.

⚠ OSTRZEŻENIE: Górny otwór w płycie osi nie służy do mocowania tylnej osi – ten otwór służy do mocowania hamulca bębnowego.

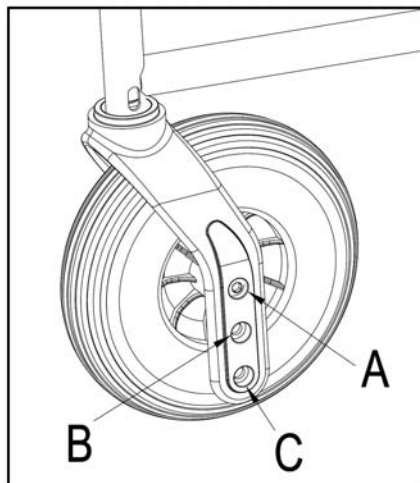
Wysokość siedziska	Tylne koło	Przednie koło
470 mm	Otwór 1 i otwór 2	Otwór A
500 mm (Standardowy)	Otwór 2 i otwór 3	Otwór B
530 mm	Otwór 3 i otwór 4	Otwór C

Tabela 2: Wysokości siedziska

Aby zmienić wysokość siedziska:



1. Zdejmij tylne koła (patrz § 2.13).
2. Odkręć wkręty znajdujące się w płycie.
3. Zamontuj płytę we właściwym otworze na wysokości którą chcesz, patrz Tabela 2.
4. Upewnij się, że tuleje osi są dobrze umocowane.

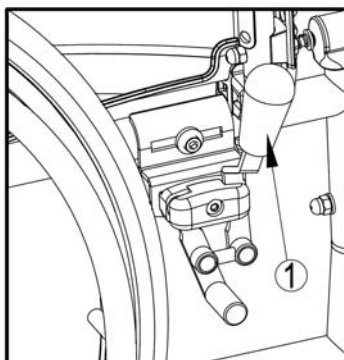


5. Odkręć wkręty od przedniej widełki koła.
6. Ustaw wysokość zgodnie z Tabelą 2.
7. Skreć przednie koła z Widełka, muszą się swobodnie obracać, lecz nie może być luzów pozwalających na inne ruchy.
8. Zamontuj tylne koła.
9. Jeśli widełki przednich kół są zamontowane prawidłowo, to będą ułożone prostopadle do podłoża. Upewnij się, że tak jest.
10. Wyreguluj hamulce zgodnie z § 3.4.

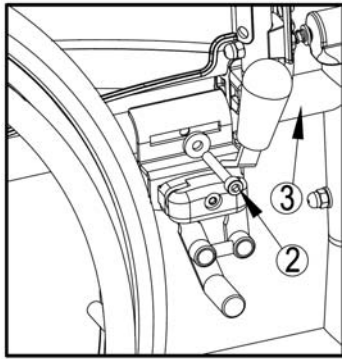
3.4 Regulacja hamulców

⚠ OSTRZEŻENIE: Ryzyko urazu – regulacji hamulców może dokonywać wyłącznie wyspecjalizowany sprzedawca.

Aby wyregulować hamulce:



1. Zamontuj koła zgodnie z § 2.2.
2. Odłącz hamulce, pociągając dźwignię ① w tył.

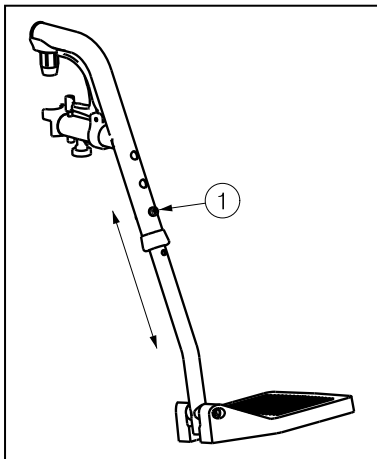


3. Poluzuj śruby ②, aby umożliwić ruch mechanizmu hamulcowego po szynie ③.
4. Przesuń mechanizm hamulcowy po prowadnicy ③ w żądane położenie.
5. Dokręć śruby ②.
6. Sprawdź pracę hamulców.
7. W razie potrzeby powtórz powyższe czynności aż do poprawnego wyregulowania hamulców.

3.5 Regulacja podnóżka

3.5.1 Długość podnóżka

⚠ PRZESTROGA: Ryzyko uszkodzenia — należy unikać kontaktu podnóżka z podłożem. Zachowaj minimalny odstęp 60 mm od podłoża.



Ustaw długość podnóżka zgodnie z poniższą instrukcją (3 możliwe położenia: skokowo co 35 mm → otwory na zewnątrz rury, 6 możliwych położzeń: skokowo co 25 mm → wewnętrzna część rury):

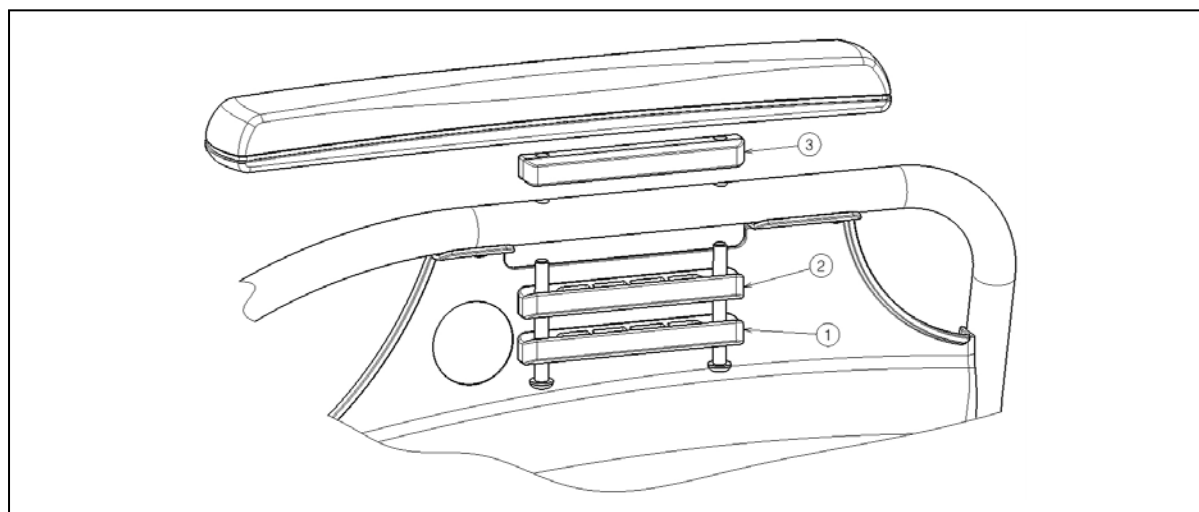
1. Wykręć śrubę ①.
2. Ustaw wygodną długość podnóżka.
3. Odpowiednio dokręć śrubę ①.

3.6 Regulacja poduszka podłokietnik

Można wyregulować zarówno wysokość, jak i głębokość poduszka podłokietnika wózka inwalidzkiego. Głębokość poduszka podłokietnik można ustawić w 3 pozycjach.

Wysokość poduszka podłokietnik względem siedziska	Liczba bloczków pod rurką	Liczba bloczków pomiędzy rurką i poduszka podłokietnik
220 mm (standardowa)	2	1
230 mm	1	2
240 mm	0	3

Tabela 3: Wysokość poduszka podłokietnika



Głębokość poduszka podłokietnik można ustawić w 3 pozycjach.

Głębokość poduszka podłokietnika	Wykorzystane otwory
Pozycja przednia	Tyłny i środkowy
Pozycja środkowa (Standard)	Otwór 2 i 4
Pozycja tylna	Przedni i środkowy

Tabela 4: Głębokość poduszka podłokietnika

Aby wyregulować wysokość i głębokość poduszka podłokietnik:

1. Wykręć obie śruby pod poduszka podłokietnik.
2. Umieść odpowiednią liczbę bloczków pod i nad rurkami, patrz Tabela 3.
3. Zamontuj poduszkę podłokietnika w odpowiednich otworach, aby dostosować głębokość.

4 Konserwacja

Instrukcje dotyczące konserwacji wózka inwalidzkiego znajdziesz na stronie internetowej firmy Vermeiren: www.vermeiren.pl.



SERVICE

The wheelchair was serviced:
Le fauteuil roulant a été contrôlé:
De rolstoel is gecontroleerd:

Das Rollstuhl wurde überprüft:
La carrozzina è stat ispezionata:
La silla de ruedas ha sido revisada por:
Z wózek inwalidzki był serwisowany:

Dealer's stamp • Cachet du revendeur • Stempel van de handelaar
Händlerstempel • Timbro del rivenditore • Sello del distribuidor •
Dealerzy pieczęć:

Date • Datum • Data • Fecha:

Dealer's stamp • Cachet du revendeur • Stempel van de handelaar
Händlerstempel • Timbro del rivenditore • Sello del distribuidor •
Dealerzy pieczęć:

Date • Datum • Data • Fecha:

Dealer's stamp • Cachet du revendeur • Stempel van de handelaar
Händlerstempel • Timbro del rivenditore • Sello del distribuidor •
Dealerzy pieczęć:

Date • Datum • Data • Fecha:

Dealer's stamp • Cachet du revendeur • Stempel van de handelaar
Händlerstempel • Timbro del rivenditore • Sello del distribuidor •
Dealerzy pieczęć:

Date • Datum • Data • Fecha:

Dealer's stamp • Cachet du revendeur • Stempel van de handelaar
Händlerstempel • Timbro del rivenditore • Sello del distribuidor •
Dealerzy pieczęć:

Date • Datum • Data • Fecha:

Dealer's stamp • Cachet du revendeur • Stempel van de handelaar
Händlerstempel • Timbro del rivenditore • Sello del distribuidor •
Dealerzy pieczęć:

Date • Datum • Data • Fecha:

Dealer's stamp • Cachet du revendeur • Stempel van de handelaar
Händlerstempel • Timbro del rivenditore • Sello del distribuidor •
Dealerzy pieczęć:

Date • Datum • Data • Fecha:

Dealer's stamp • Cachet du revendeur • Stempel van de handelaar
Händlerstempel • Timbro del rivenditore • Sello del distribuidor •
Dealerzy pieczęć:

Date • Datum • Data • Fecha:

Dealer's stamp • Cachet du revendeur • Stempel van de handelaar
Händlerstempel • Timbro del rivenditore • Sello del distribuidor •
Dealerzy pieczęć:

Date • Datum • Data • Fecha:

Dealer's stamp • Cachet du revendeur • Stempel van de handelaar
Händlerstempel • Timbro del rivenditore • Sello del distribuidor •
Dealerzy pieczęć:

Date • Datum • Data • Fecha:

- For service checklists an additional technical information, please see our specialist dealers nearest to you. More information on our website at: www.vermeiren.com.
- Les listes des contrôles à effectuer lors des entretiens de même que toute autre information technique sont disponibles auprès de nos filiales. Pour de plus amples informations, consultez le site: www.vermeiren.fr.
- Servicelijsten en andere technische informatie kunt u aanvragen bij onze vestigingen. Meer informatie vindt u ook op: www.vermeiren.be.
- Servicechecklisten und weitere technische Informationen erhalten Sie über unsere Niederlassungen. Informationen unter: www.vermeiren.de, www.vermeiren.at, www.vermeiren.ch.
- Gli elenchi di controllo di manutenzione e ulteriori informazioni tecniche sono disponibili presso le nostre filiali. Per informazioni consultare il sito: www.vermeiren.com.
- Para un servicio de revisión o información técnica adicional, por favor, consulte a nuestros distribuidores especialistas más cercanos. Más información en nuestra página web: www.vermeiren.com.
- Po dodatkowe informacje techniczne oraz listę części zamiennych proszę się kontaktować z naszym wyspecjalizowanymi dystrybutorami w pobliżu miejsca zamieszkania. Więcej informacji na naszej stronie www.vermeiren.pl.

ITALIANO

GARANZIA CONTRATTUALE

La carrozzine manuali sono garantite 5 anni, la carrozzine ultra leggera 4 anni. Le carrozzine elettroniche, tricicli, lettini e altri prodotti: 2 anno contro tutti i difetti di costruzione o di materiale (batterie 6 mesi). Multiposizioni: 3 anni. Questa garanzia è limitata alle sostituzioni di parti riconosciute difettose.

CONDIZIONI

Per far valere la garanzia, e' necessario indirizzarla al vostro distributore di fiducia che presentera' al produttore il tagliando.

RISERVE

Questa garanzia non potra' essere applicata nei seguenti casi:

- danno dovuto al cattivo ed improprio utilizzo della carrozzina,
- danno subito durante il trasporto,
- incidente o caduta,
- smontaggio, modifica, o riparazione effettuate in proprio,
- usura abituale della carrozzina,
- invio del tagliando di garanzia con la data di acquisto.

VERMEIREN



GARANTÍA
GARANTIE
WARRANTY
GARANTIE
GARANZIA

N.V. VERMEIREN N.V. Tel.: 00 32 (0)3 620 20 20
VERMEIRENPLEIN 1-15 Fax: 00 32 (0)3 666 48 94
B-2920 Kalmenhout www.vermeiren.com



B

Naam/Nom/Name

Name/Nome

Adres/Adresse/Address

Adresse/Indirizzo

Woonplaats/Domicile/Home

Wohnort/Citta

E-mail

Artikel/Article/Article

Artikel/Articolo

Reeks nr./N° de série/Serie nr.

Serien-Nr./No. di serie

Aankoopdatum/Date d'achat/Date of purchase

Kaufdatum/Data di acquisto

Stempel verkoper/Timbre du vendeur

Dealer stamp/Händlerstempel

Timbro del rivenditore

A

Nombre/Nom/Name

Name/Nome

Dirección/Adresse/Address

Adresse/Indirizzo

Ciudad/Domicile/Home

Wohnort/Citta

E-mail

Artículo/Article/Article

Artikel/Articolo

Núm. de serie/N° de série/Serie nr.

Serien-Nr./No. di serie

Fecha de adquisición/Date d'achat/Date of

purchase/Kaufdatum/Data di acquisto

Sello del distribuidor /Timbre du vendeur

Dealer stamp/Händlerstempel

Timbro del rivenditore

ESPAÑOL

CONTRATO DE GARANTÍA

Garantía de 5 años para sillas de ruedas estándar. Garantía de 4 años para las sillas de ruedas ligeras. Garantía de 2 años para las sillas de ruedas electrónicas, triciclos, camas y otros productos (las baterías tienen una garantía de 6 meses). Garantía de 3 años para las sillas de ruedas multiposición. Esta garantía se limita a la sustitución de las piezas defectuosas o recambios.

CONDICIONES DE APLICACIÓN

Para reclamar esta garantía, debe de entregar a su distribuidor oficial de Vermeiren el apartado "B" de esta tarjeta. La garantía sólo es válida cuando las piezas son sustituidas por Vermeiren Bélgica.

EXCEPCIONES

Esta garantía no es válida en caso de:

- Daños debidos a un uso incorrecto de la silla de ruedas,
- Daños durante el transporte,
- Involucracion en un accidente,
- Desmontaje, modificación o reparación que no haya sido realizada por nuestra compañía y / o distribuidor oficial de Vermeiren,
- Desgaste normal de la silla de ruedas,
- Que no se entregue la tarjeta de garantía

FRANÇAIS

GARANTIE CONTRACTUELLE

Les fauteuils manuels standard sont garantis 5 ans, les fauteuils ultralégers 4 ans. Les fauteuils électroniques, tricycles, lits et d'autres produits: 2 ans contre tous vices de construction ou de matériaux (batteries 6 mois). Fauteuils multiposition 3 ans. Cette garantie est expressément limitée au remplacement des éléments ou pièces détachées reconnues défectueuses.

CONDITIONS D'APPLICATION

Pour prétendre à cette garantie, il faut présenter le certificat de garantie que vous avez conservé à votre distributeur Vermeiren. La garantie est uniquement valable au siège de la société.

RESERVES

Cette garantie ne pourra être appliquée en cas de:

- dommage dû à la mauvaise utilisation du fauteuil,
- endommagement pendant le transport,
- accident ou chute,
- démontage, modification ou réparation fait en dehors de notre société,
- usure normale du fauteuil,
- non retour du coupon de garantie.

ENGLISH

CONTRACTUAL WARRANTY

We offer 5 years of warranty on standard wheelchairs, lightweight wheelchairs 4 years. Electronic wheelchairs, tricycles, beds and other products: 2 years (batteries 6 months) and multiposition wheelchairs 3 years. This warranty is limited to the replacement of defective or spare parts.

APPLICATION CONDITIONS

In order to claim its warranty, part "B" of this card has to be given to your official Vermeiren dealer. The warranty is only valid when parts are replaced by Vermeiren in Belgium.

EXCEPTIONS

This warranty is not valid in case of:

- damage due to incorrect usage of the wheelchair,
- damage during transport,
- involvement in an accident,
- a dismount, modification or repair carried outside of our company and/or official Vermeiren dealership,
- normal wear of the wheelchair,
- non-return of the warranty card

DEUTSCH

GARANTIEERKLÄRUNG

Wir garantieren, dass für unsere Rollstühle hochwertige Produkte verwendet werden, die in sorgfältiger Verarbeitung nach dem neuesten Stand der Technik montiert werden. Bevor Ihr Rollstuhl unser Werk verlassen hat, wurde er einer eingehenden Endkontrolle unterzogen, um auch letzte, eventuell vorhandene Mängel auszusparen.

Auf Standardrollstühle gewähren wir eine Garantie von 5 Jahren, auf Leichtgewichtsrollstühle 4 Jahre, auf elektronische Rollstühle, Dreiräder, Betten und andere Produkte: 2 Jahre (Batterien 6 Monate), auf Multifunktionsrollstühle 3 Jahre.

In dieser Garantie eingeschlossen sind alle Mängel, die auf einen Produkt- oder Verarbeitungsfehler zurückzuführen sind. Dieser Garantie unterliegen keine Schäden aus unsachgemäßer Benutzung. Ebenfalls sind Verschleißteile von der Garantie ausgenommen.

Sollte einmal der Fall eingetreten sein, dass Sie aus berechtigtem Grunde mit Ihrem Rollstuhl unzufrieden sind, so wenden Sie sich bitte unverzüglich an Ihren Fachhändler. Er wird sich in enger Zusammenarbeit mit uns darum bemühen, eine für Sie zufriedenstellende Lösung zu finden.

A

- Por favor entréguelo en el plazo de 8 días a partir de la fecha de compra o registre su producto en nuestra página web, <https://www.vermeiren.be/registration>
- à renvoyer dans les 8 jours après achat ou registrar votre produit sur notre site, <https://www.vermeiren.be/registration>
- please return within 8 days of date of purchase or register your product at our website, <https://www.vermeiren.be/registration>
- zurückschicken innerhalb von 8 Tagen nach Kauf oder registrieren Sie Ihr Produkt auf unserer website, <https://www.vermeiren.be/registration>
- da restituire entro 8 giorni dalla data di acquisto o registrati il vostro prodotto al nostro web site, <https://www.vermeiren.be/registration>

B

- en caso de reparación, por favor, añada el apartado "B".
- en cas de réparation, veuillez ajouter la carte "B".
- in case of repair, please add part "B".
- im Falle einer Reparatur, Karte "B" beifügen
- in case di riparazione, ripedireci la carta "B".

N.V. VERMEIREN N.V.
Vermeirenplein 1/15
B-2920 Kalmthout
BELGIUM





Notes

A series of horizontal dotted lines for writing notes.

Belgium

N.V. Vermeiren N.V.

Vermeirenplein 1 / 15
B-2920 Kalmthout
Tel: +32(0)3 620 20 20
Fax: +32(0)3 666 48 94
website: www.vermeiren.be
e-mail: info@vermeiren.be

France

Vermeiren France S.A.

Z. I., 5, Rue d'Ennevelin
F-59710 Avelin
Tel: +33(0)3 28 55 07 98
Fax: +33(0)3 20 90 28 89
website: www.vermeiren.fr
e-mail: info@vermeiren.fr

Italy

Vermeiren Italia

Viale delle Industrie 5
I-20020 Arese MI
Tel: +39 02 99 77 07
Fax: +39 02 93 58 56 17
website: www.reatime.it
e-mail: info@reatime.it

Poland

Vermeiren Polska Sp. z o.o

ul. Łączna 1
PL-55-100 Trzebnica
Tel: +48(0)71 387 42 00
Fax: +48(0)71 387 05 74
website: www.vermeiren.pl
e-mail: info@vermeiren.pl

Czech Republic

Vermeiren ČR S.R.O.

Nadrazni 132
702 00 Ostrava 1
Tel: +420 596 133 923
Fax: +420 596 133 277
website: www.vermeiren.cz
e-mail: info@vermeiren.cz

Germany

Vermeiren Deutschland GmbH

Wahlerstraße 12 a
D-40472 Düsseldorf
Tel: +49(0)211 94 27 90
Fax: +49(0)211 65 36 00
website: www.vermeiren.de
e-mail: info@vermeiren.de

Austria

L. Vermeiren Ges. mbH

Winetzhammerstraße 10
A-4030 Linz
Tel: +43(0)732 37 13 66
Fax: +43(0)732 37 13 69
website: www.vermeiren.at
e-mail: info@vermeiren.at

Switzerland

Vermeiren Suisse S.A.

Hühnerhubelstraße 59
CH-3123 Belp
Tel: +41(0)31 818 40 95
Fax: +41(0)31 818 40 98
website: www.vermeiren.ch
e-mail: info@vermeiren.ch

Spain / Portugal

Vermeiren Iberica, S.L.

Carratera de Cartellà, Km 0,5
Sant Gregori Parc Industrial Edifici A
17150 Sant Gregori (Girona)
Tel: +34 972 42 84 33
Fax: +34 972 40 50 54
website: www.vermeiren.es
e-mail: info@vermeiren.es